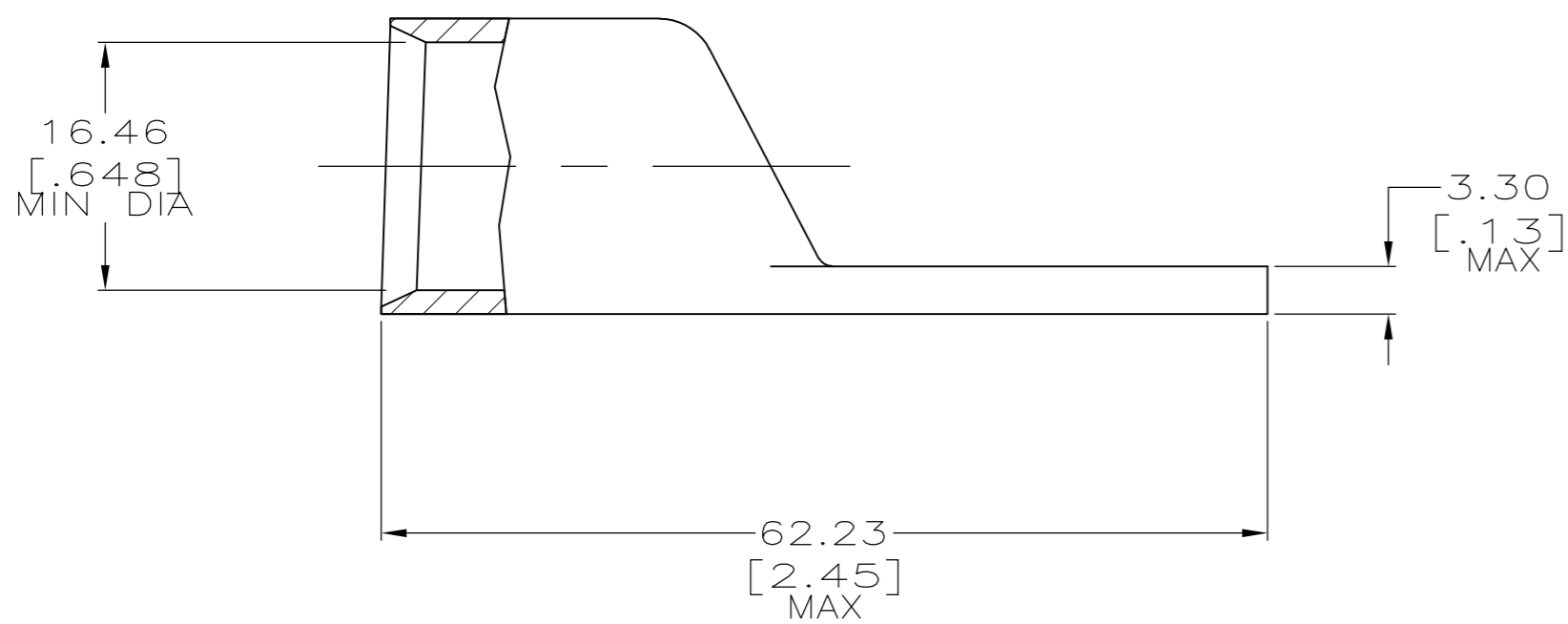
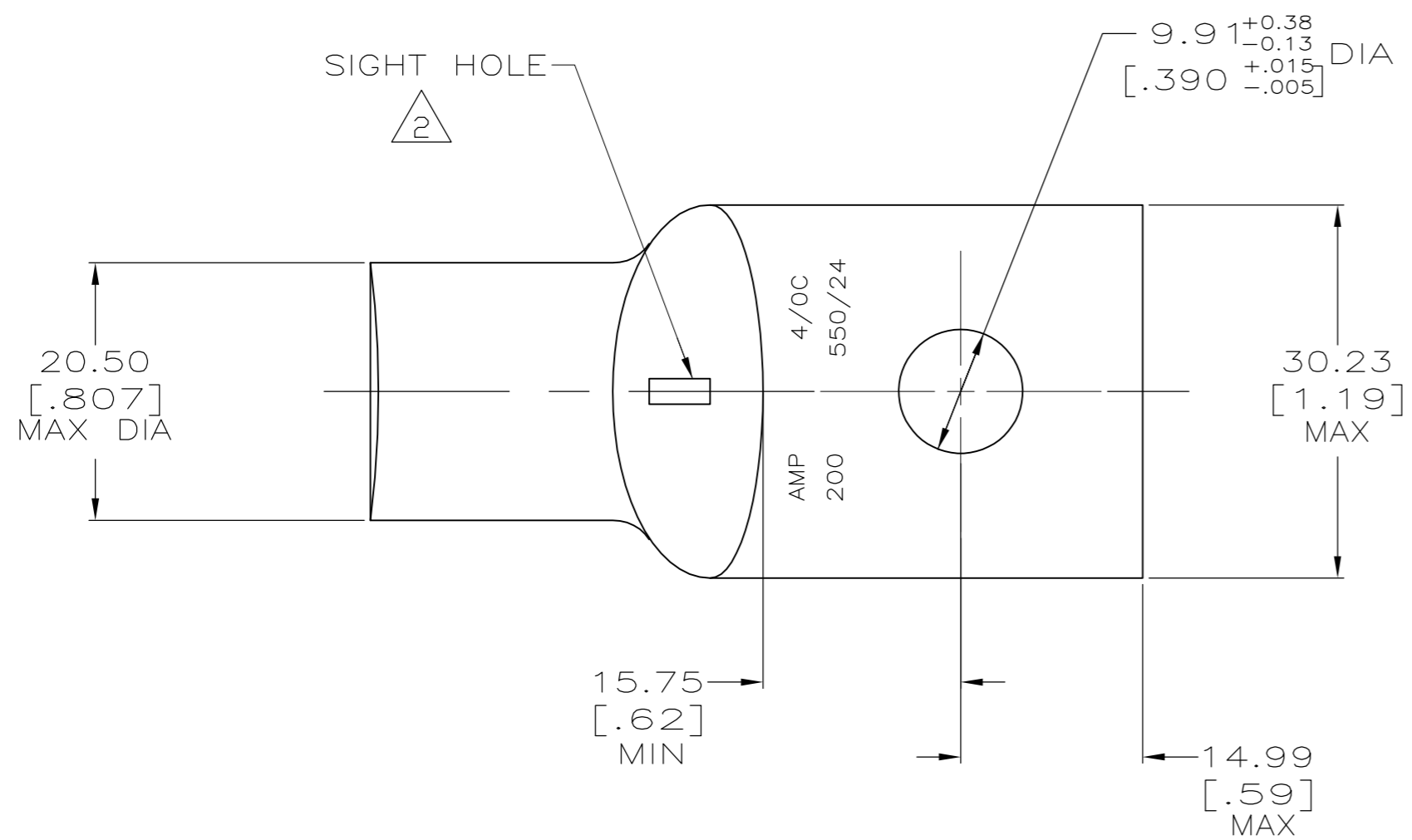


THIS DRAWING IS UNPUBLISHED. RELEASED FOR PUBLICATION
 © COPYRIGHT BY TYCO ELECTRONICS CORPORATION. ALL INTERNATIONAL RIGHTS RESERVED.

| LOC | DIST | REVISIONS | | | |
|-----|------|-------------|-----------------------|---------|-------|
| P | LTR | DESCRIPTION | DATE | DWN | APVD |
| G | 86 | P1 | REV PER ECR 10-017024 | 09NOV10 | JR RL |



- 1 CIRCULAR MIL RANGE: 190,000-231,000 CM
- 2 SIGHT HOLE LOCATION IF REQUIRED, REFER TO TABLE.
- 3 COPPER PER ASTM B-75, ANNEALED
- 4 TIN PLATE 0.00381 [.000150] MIN PER ASTM B-545.

| | |
|--------------|----------|
| NONE | 325603-2 |
| REQD | 325603 |
| 2 SIGHT HOLE | PART NO. |

| | | | | |
|--|------------|------------------------|---|-----------------|
| THIS DRAWING IS A CONTROLLED DOCUMENT. | | DWN DK SCHRUM 02/28/90 | Tyco Electronics Corporation Harrisburg, PA 17105-3608 | |
| DIMENSIONS: MM [INCHES] | | CHK AJ KAUFMAN 8/10/92 | NAME | |
| TOLERANCES UNLESS OTHERWISE SPECIFIED: | | APVD | PRODUCT SPEC | |
| 0 PLC ± - | 1 PLC ± - | APPLICATION SPEC | TERMINAL, AMPPOWER, WIRE SIZE: 4/0 AWG | |
| 2 PLC ± - | 3 PLC ± - | WEIGHT .102 LBS | SIZE A2 | CAGE CODE 00779 |
| 4 PLC ± - | ANGLES ± - | CUSTOMER DRAWING | DRAWING NO C-325603 | RESTRICTED TO |
| MATERIAL 3 | FINISH 4 | SCALE 2:1 | SHEET 1 of 1 | REV P1 |

单击下面可查看定价，库存，交付和生命周期等信息

[>>TE Connectivity\(泰科\)](#)