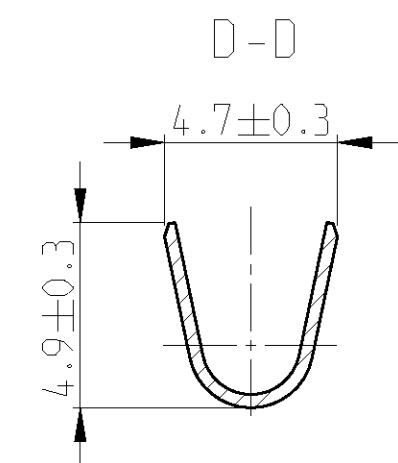
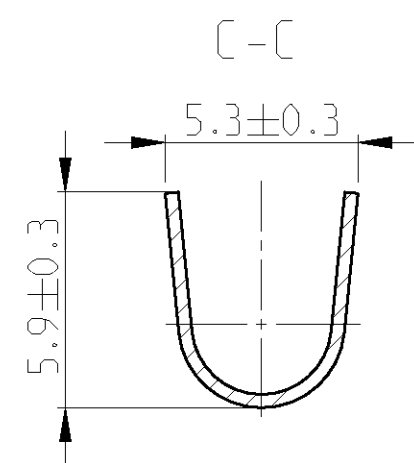
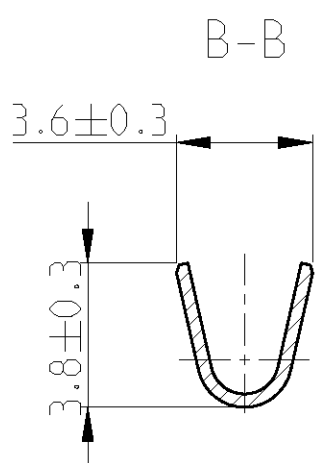
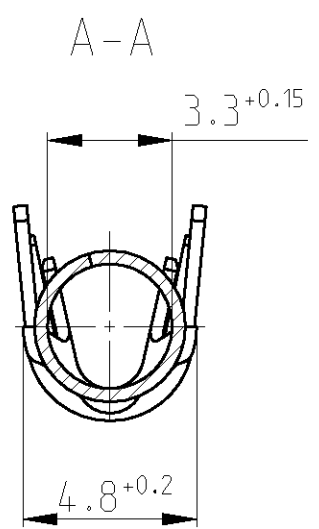
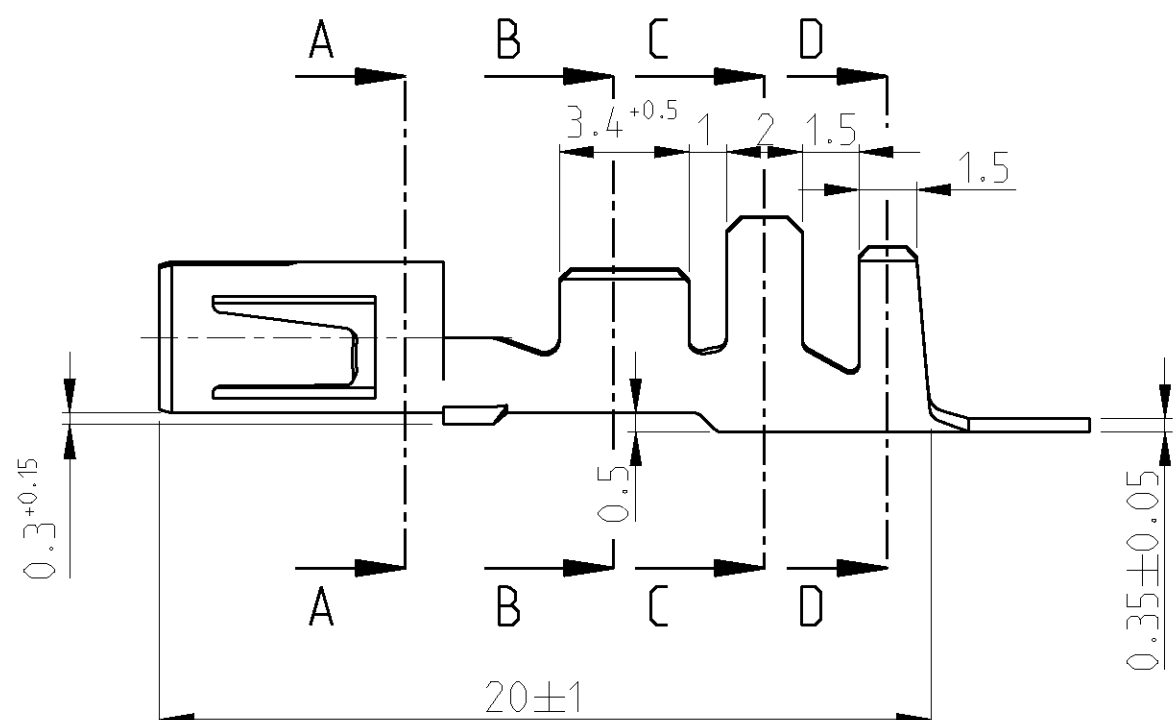
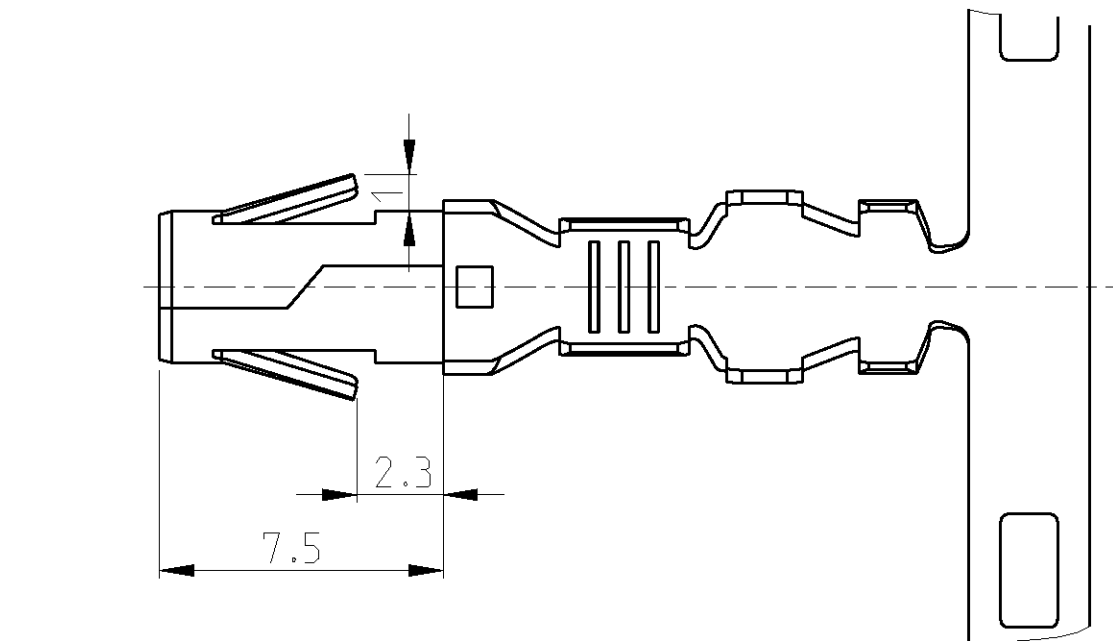


LOC	DIST	REVISIONS			
P	LTR	DESCRIPTION	DATE	DWN	APVD
GT	-				
	C	SEE ECN EVA0-0023-05	04MAY2005	RVL	MBL
	C1	REVISED PER ECO-09-026495	02FEB10	KK	HMR
	C2	ECR-10-026307	12FEB11	KK	HMR
	C3	REVISED PER ECR-17-006577	18MAY17	JB	DZ
	C4	REVISED PER ECR-20-005051	23OCT2020	SS	VS



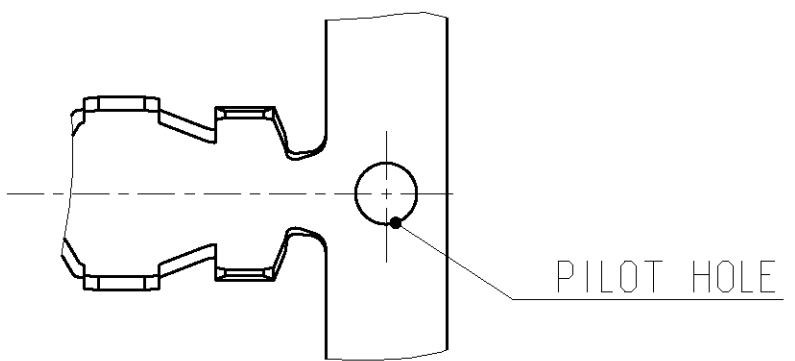
⚠️ OBSOLETE PARTS: OBSOLETE CIS STREAMLINING PER D.RENAUD/D.SINISI



0- -1,2,3,4 AS SHOWN wie gezeichnet

OBSOLETE	4-927861-2	PRE TIN	CuSn4	1-927860-2
OBSOLETE	0-927861-4	SILVERPLATED	CuSn4	0-927860-4
OBSOLETE	0-927861-3	PLAIN	CuSn4	0-927860-3
OBSOLETE	0-927861-2	PRE TIN	CuSn4	0-927860-2
OBSOLETE	0-927861-1	PRE TIN	CuZn30	0-927860-1

⚠️ 1- -2 AS SHOWN wie gezeichnet



<small>THIS DRAWING IS A CONTROLLED DOCUMENT FOR TYCO ELECTRONICS CORPORATION IT IS SUBJECT TO CHANGE AND THE CONTROLLING ENGINEERING ORGANIZATION SHOULD BE CONTACTED FOR THE LATEST REVISION.</small>		DWN J.SKODA 02MAR2005 CHK R.VLCEK 02MAR2005 APVD M.BLFICHER 02MAR2005		
DIMENSIONS: mm 	TOLERANCES UNLESS OTHERWISE SPECIFIED: 0 PLC ±0.2 1 PLC ±0.2 2 PLC ± 3 PLC ± 4 PLC ± ANGLES ±1°30'	PRODUCT SPEC 108-1032 APPLICATION SPEC 114-1007 WEIGHT -	NAME .140 DIA SOCKET .140 Dia Buchse	
MATERIAL -	FINISH -	CUSTOMER DRAWING	SIZE A3 CAGE CODE 00779 DRAWING NO C=927860	RESTRICTED TO - SCALE 5:1 SHEET 1 OF 1 REV C4

单击下面可查看定价，库存，交付和生命周期等信息

[>>TE Connectivity\(泰科\)](#)