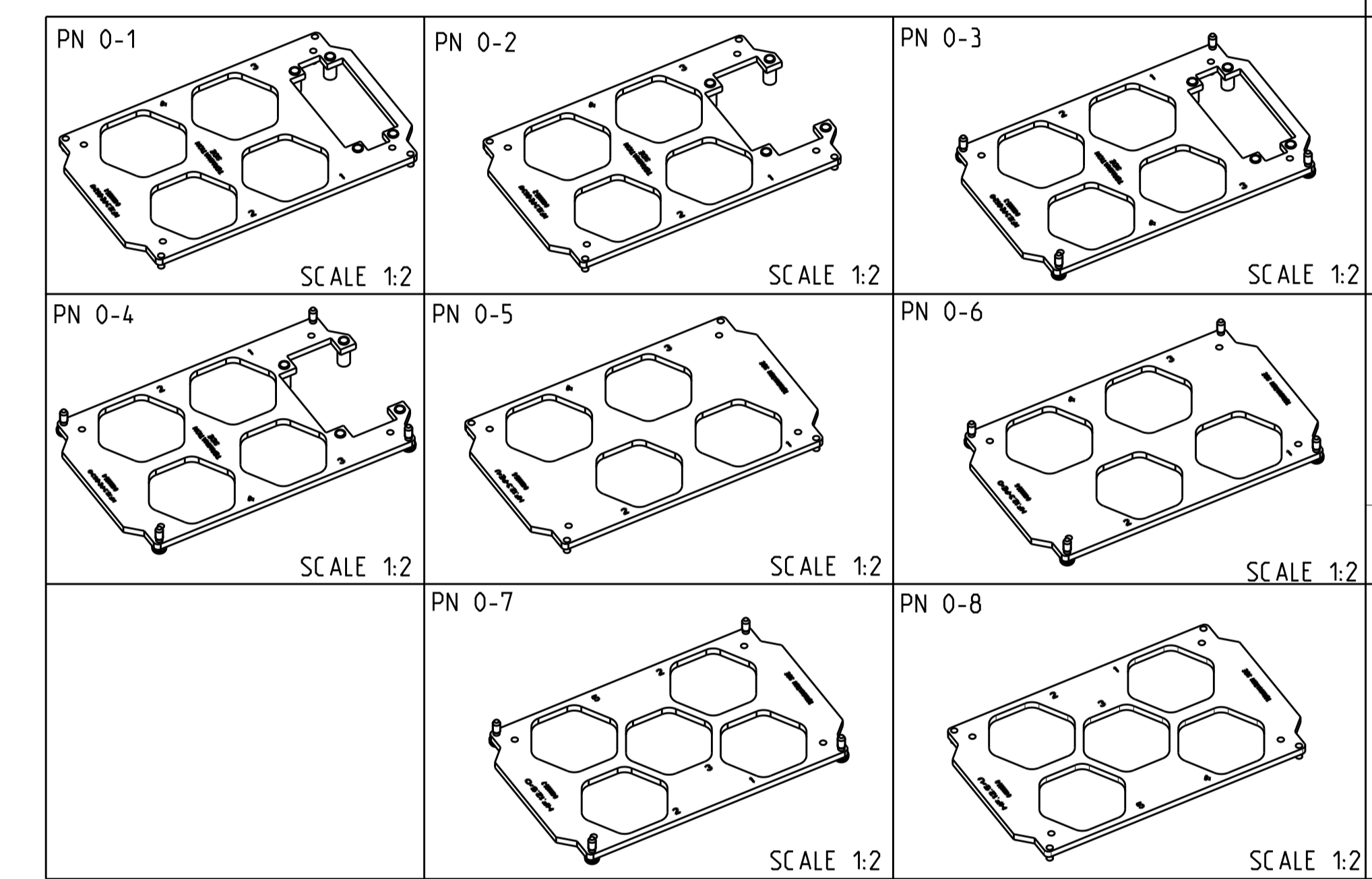
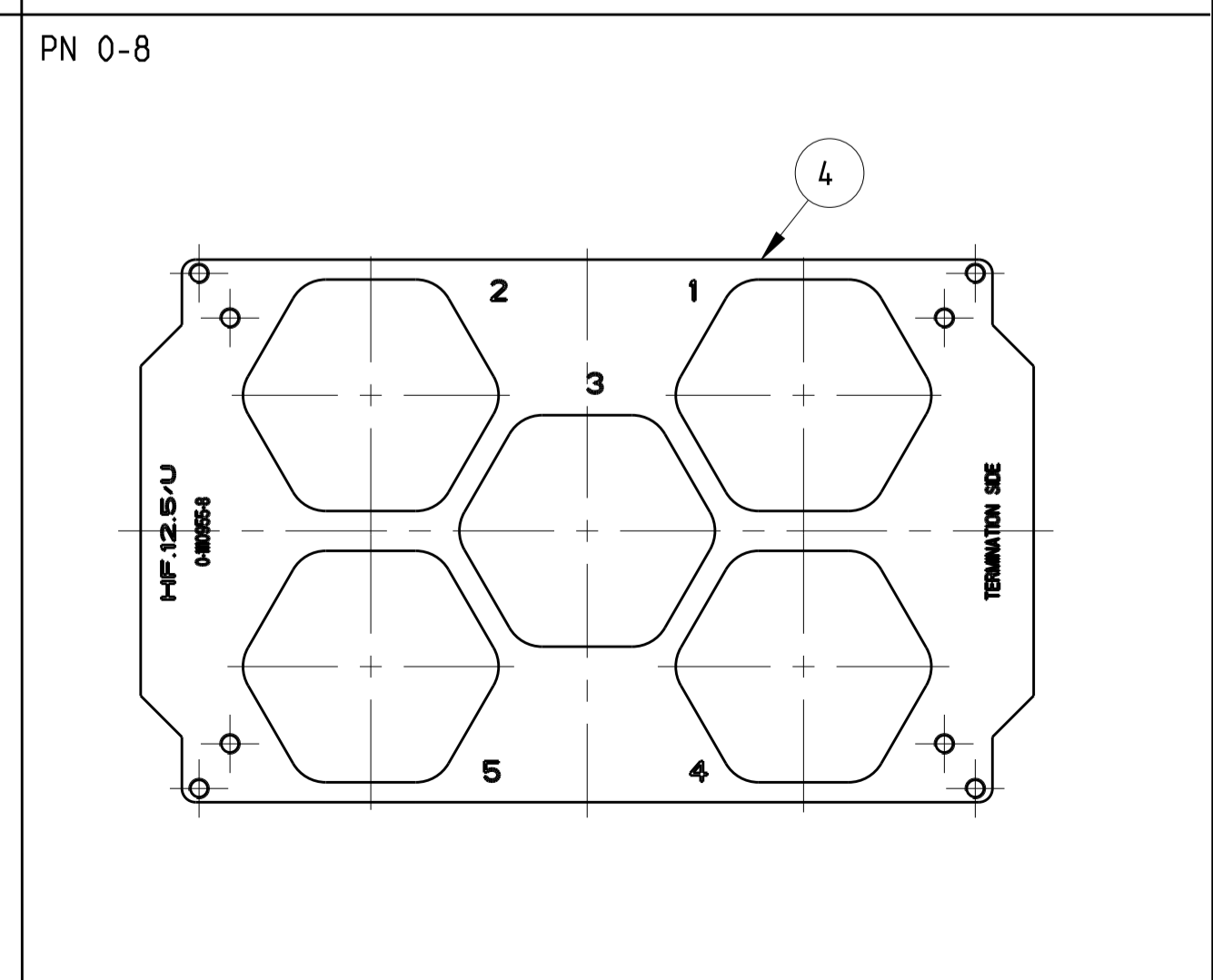
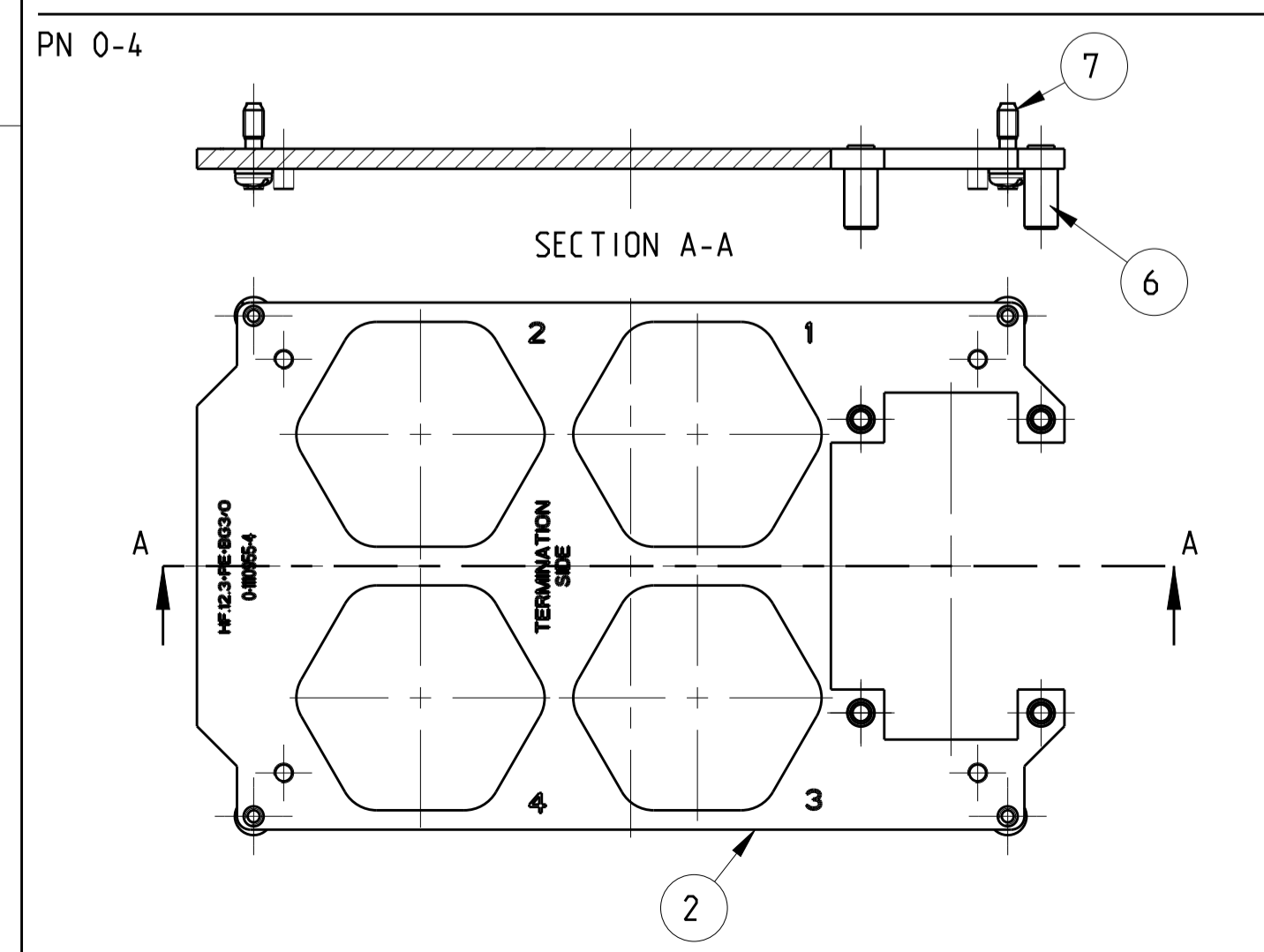
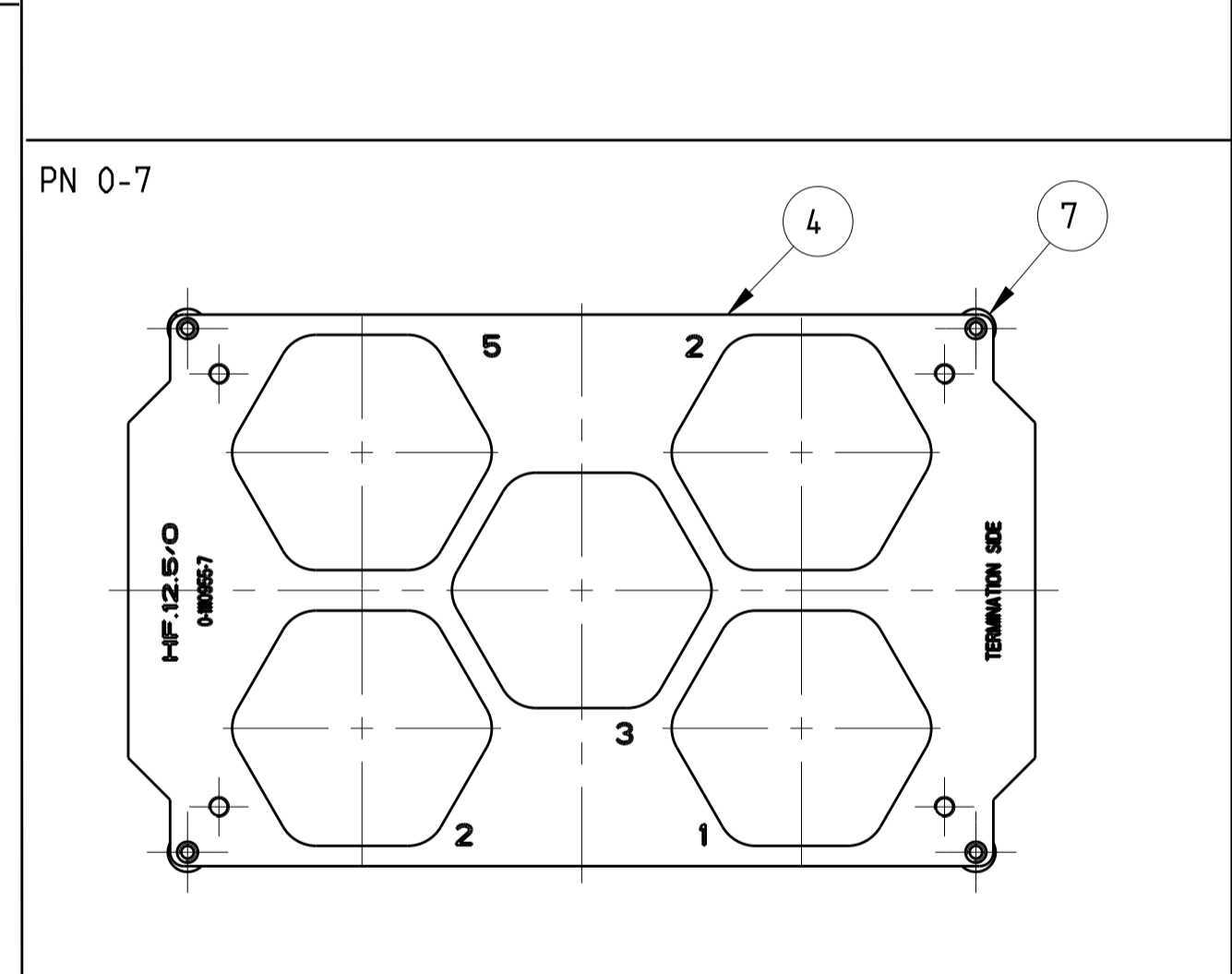
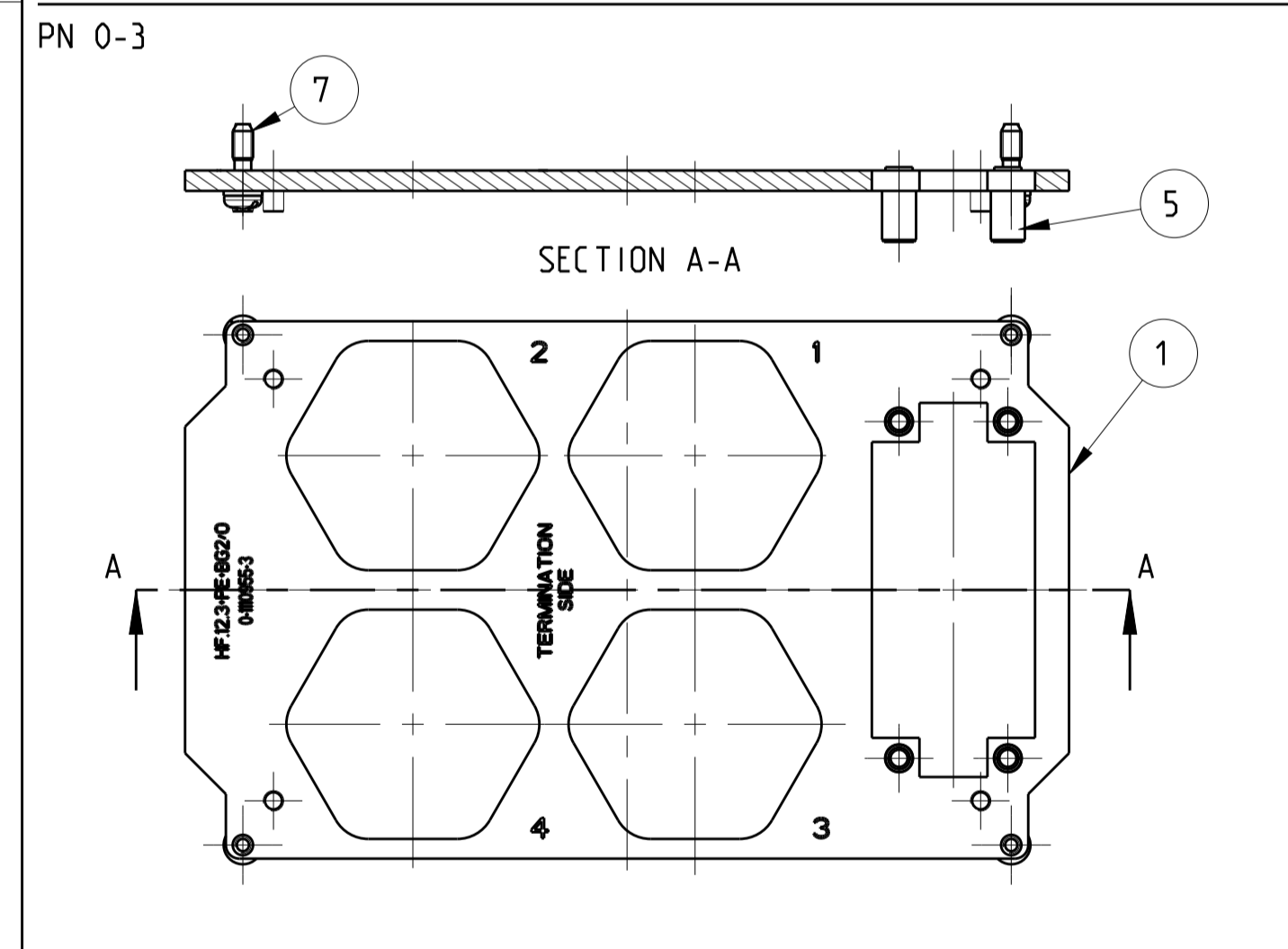
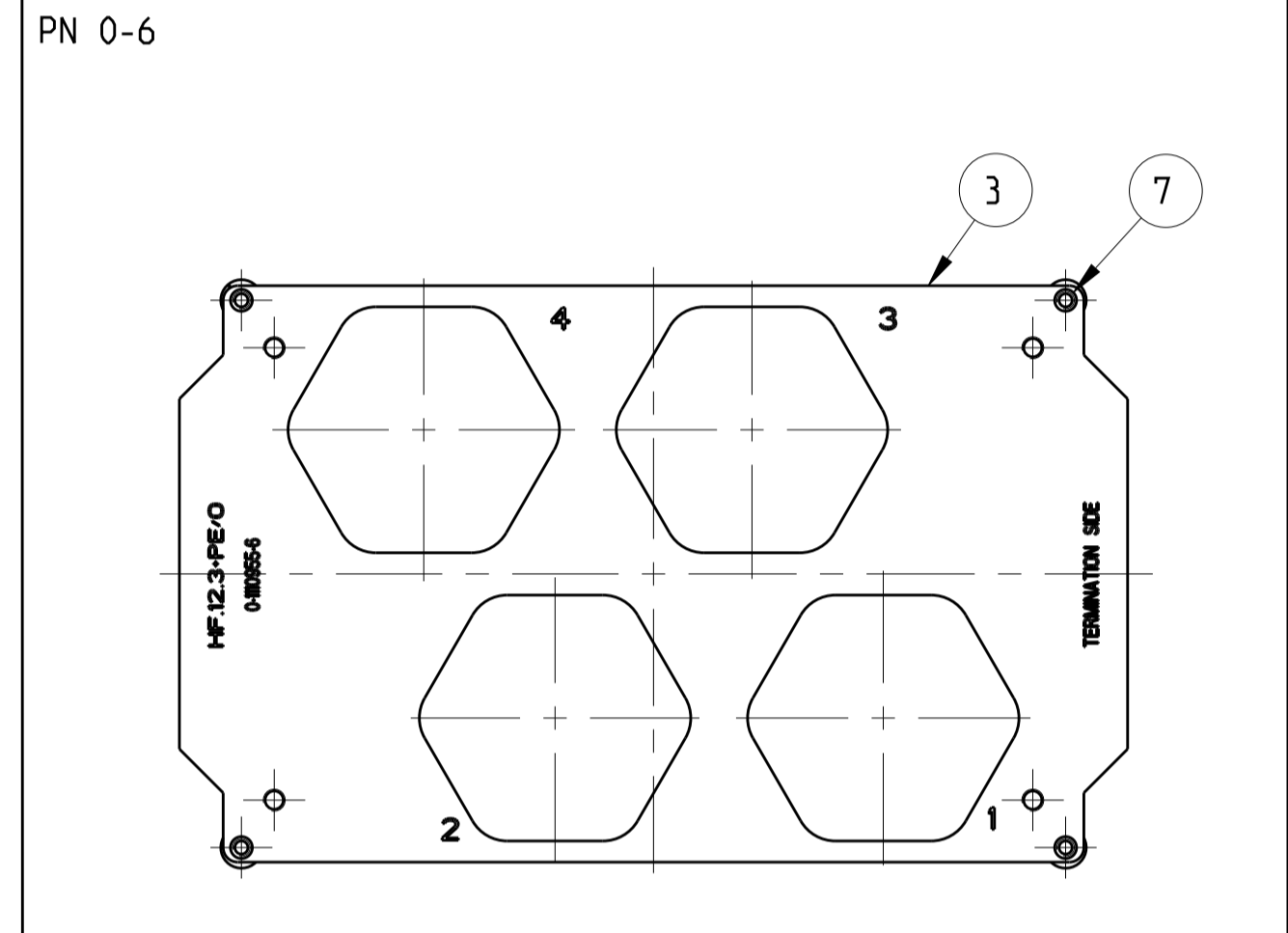
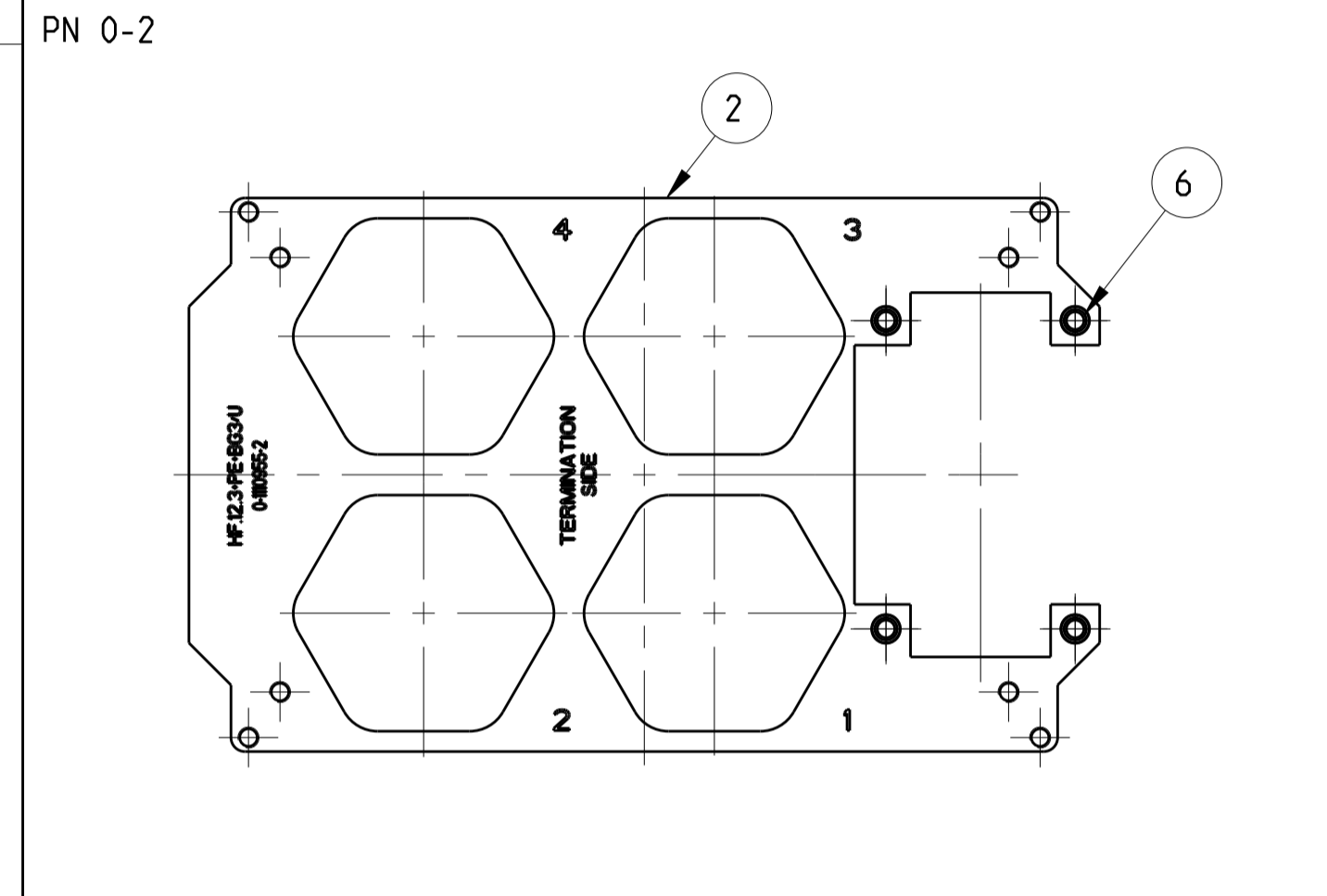
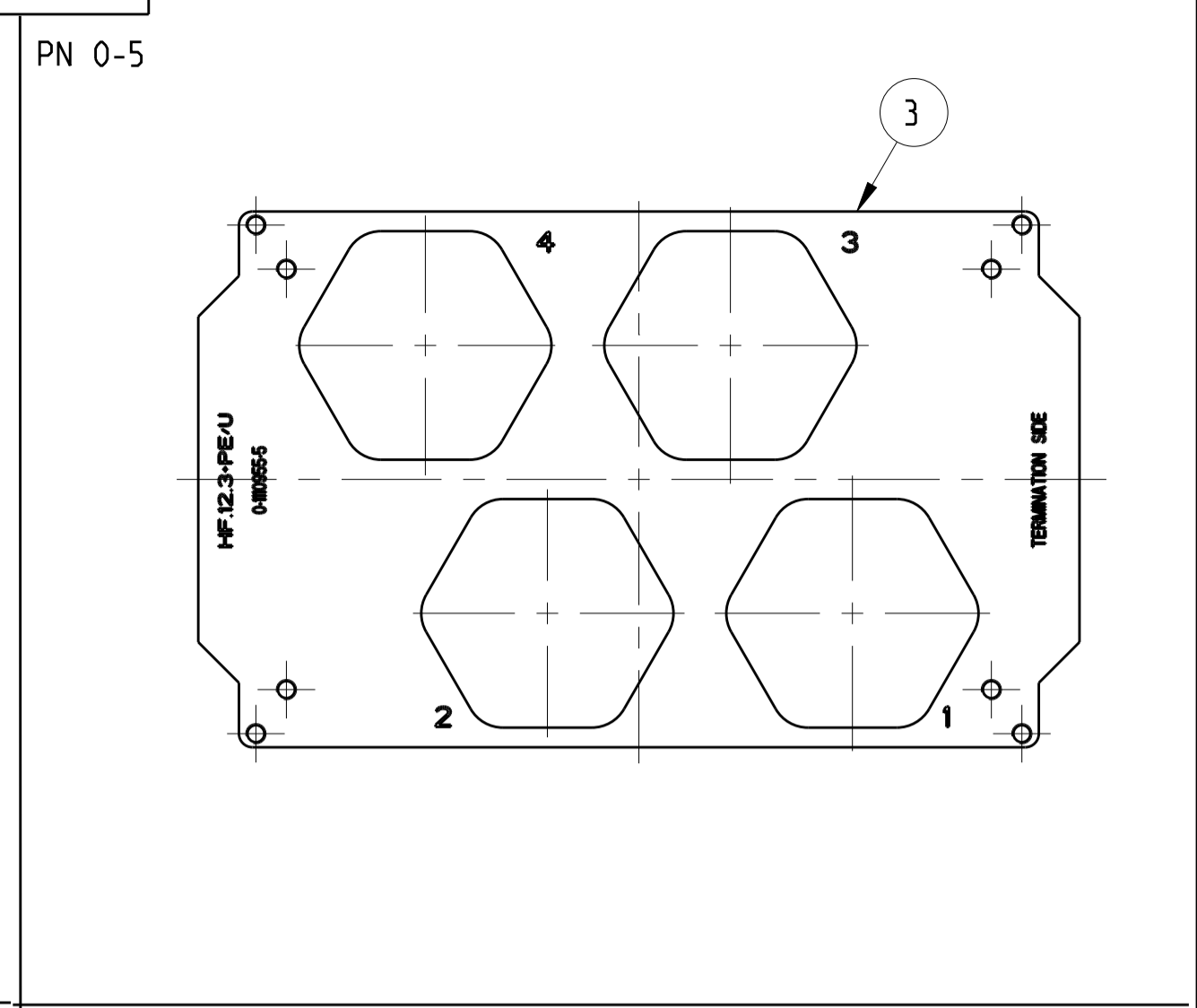
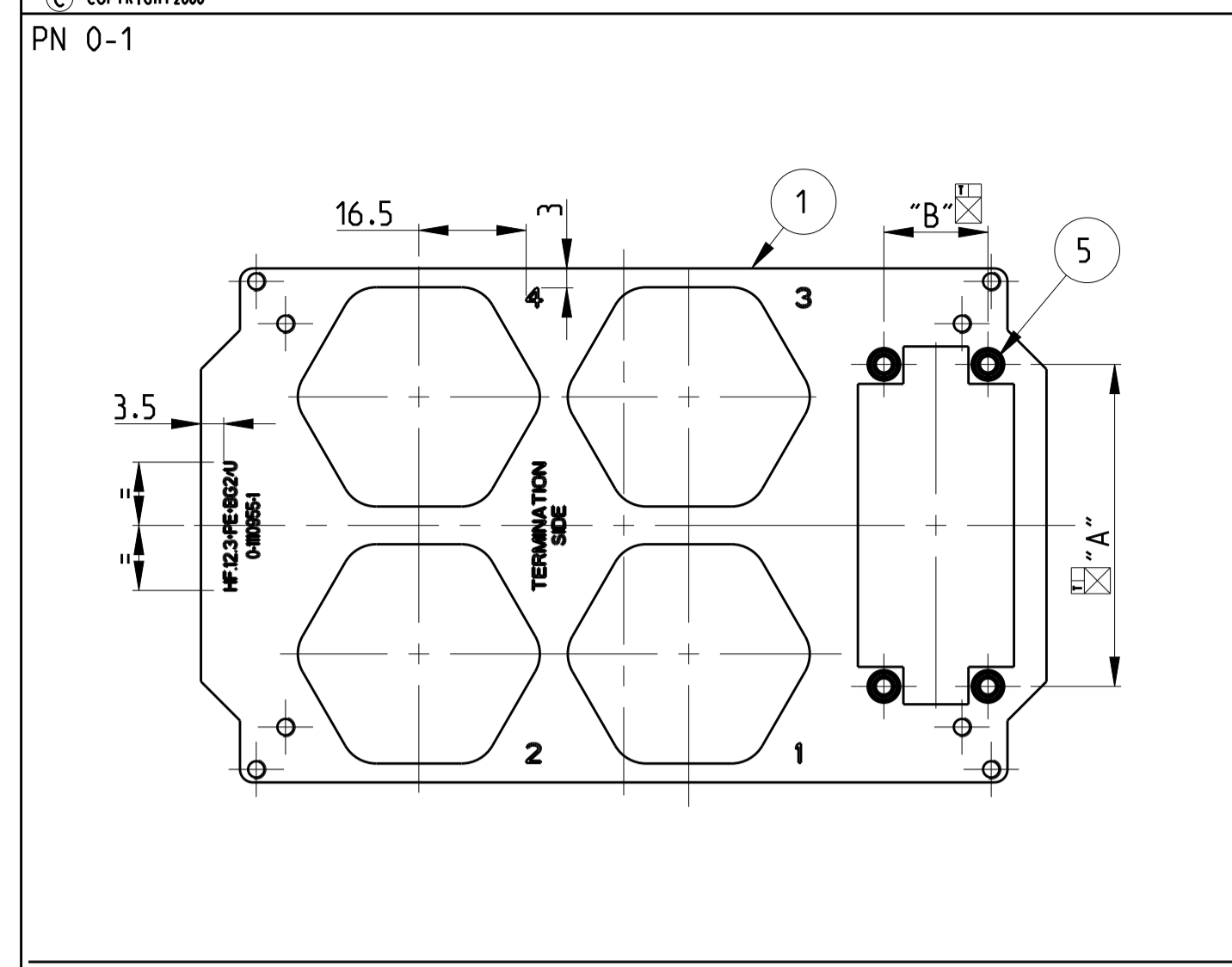


LOC	DIST	P	LTR	REVISIONS	DATE	DWN	APVD
A1	-	B9	ECR-16-009338		08DEC2016	GCM	MKO

- NOTES
- 1 MATERIAL:SEE THE TABLE
  - 2 SURFACE:SEE THE TABLE
  - 3 PACKAGING QUANTITY 5 PIECES IN A CARTON
  - 4 WEIGHT:0.112 Kg (APROX)



QTY	DESCRIPTION	MATERIAL	SURFACE	A	B	ITEM NO	NOTES
4	FIXING SCREW	STEEL	NICKEL PLATED			7	M3x10.5
4	THREAD SOCKET FOR INSERT	STEEL	ZINC PLATED			6	M3x12.5
4	THREAD SOCKET FOR INSERT	STEEL	ZINC PLATED			5	M3x11
1	FIXING PLATE	STEEL	ZINC PLATED			4	
1	FIXING PLATE	STEEL	ZINC PLATED			3	
1	FIXING PLATE	STEEL	ZINC PLATED	44	27	2	SIZE 3
1	FIXING PLATE	STEEL	ZINC PLATED	49.5	16	1	SIZE 2
0-8	DESCRIPTION	MATERIAL	SURFACE	A	B	ITEM NO	NOTES
0-1	HF.12.3+PE+BG2/U						3
0-2	HF.12.3+PE+BG3/U						3
0-3	HF.12.3+PE+BG2/O						3
0-4	HF.12.3+PE+BG3/O						3
0-5	HF.12.3+PE/U						3
0-6	HF.12.3+PE/O						3
0-7	HF.12.5/O						3
0-8	HF.12.5/U						3

THIS DRAWING IS A CONTROLLED DOCUMENT.

DM: SCHNEIDER 06.09.2006  
 CHE: H.BRAUN 06.09.2006  
 APVD: T.SCHNURPEIL 06.09.2006

NAME: I.SCHNURPEIL

PRODUCT SPEC: 108-74XXX  
 APPLICATION SPEC: 116-74XXX

WEIGHT: 0.112 Kg

CUSTOMER DRAWING

SCALE: 1:1 SHEET 1 OF 1 REV: B9

STE TE Connectivity

FIXING PLATE SERIES HF SIZE 12

单击下面可查看定价，库存，交付和生命周期等信息

[>>TE Connectivity\(泰科\)](#)