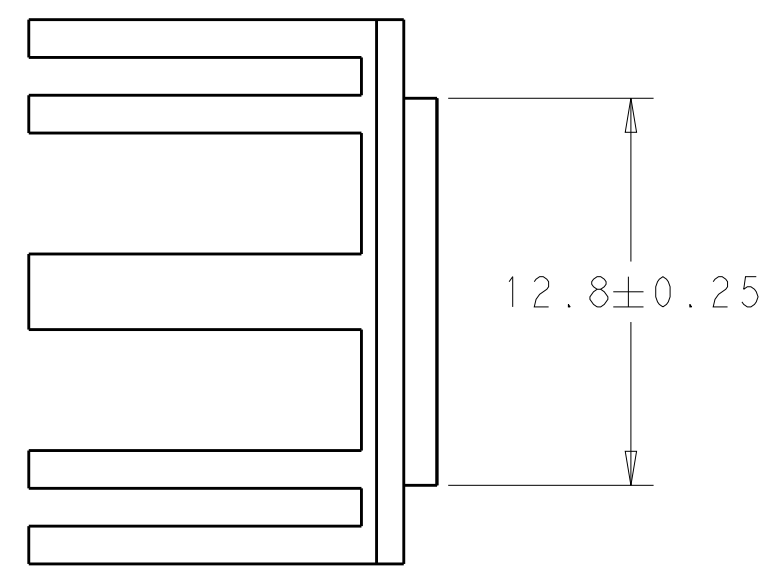
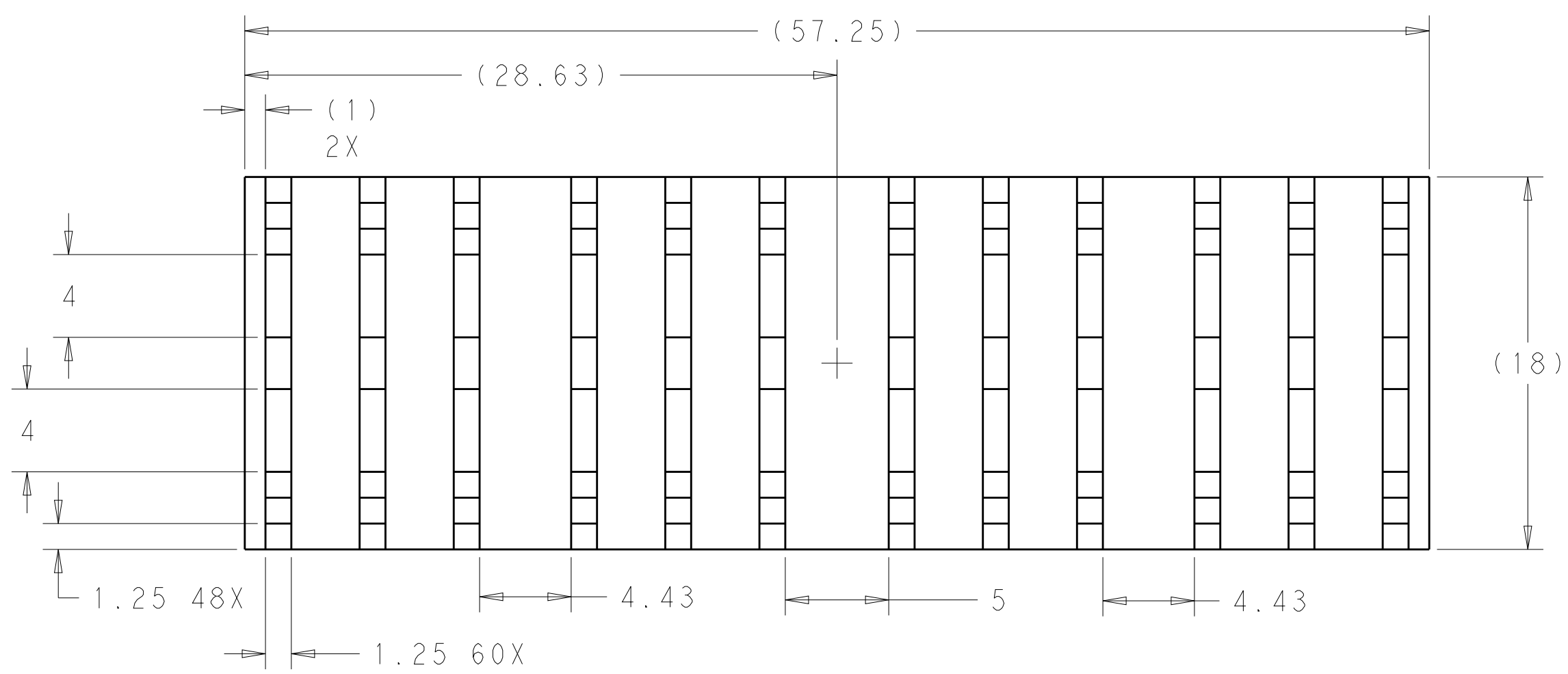
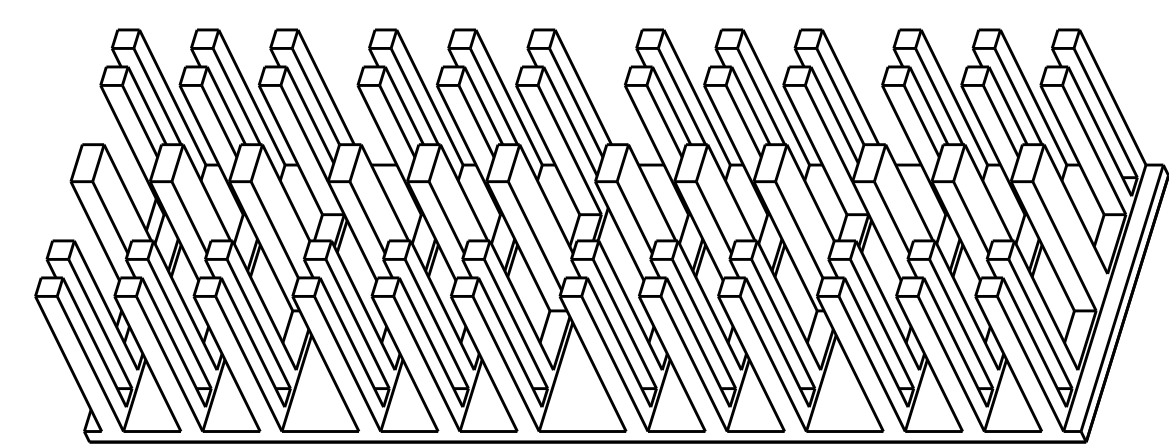
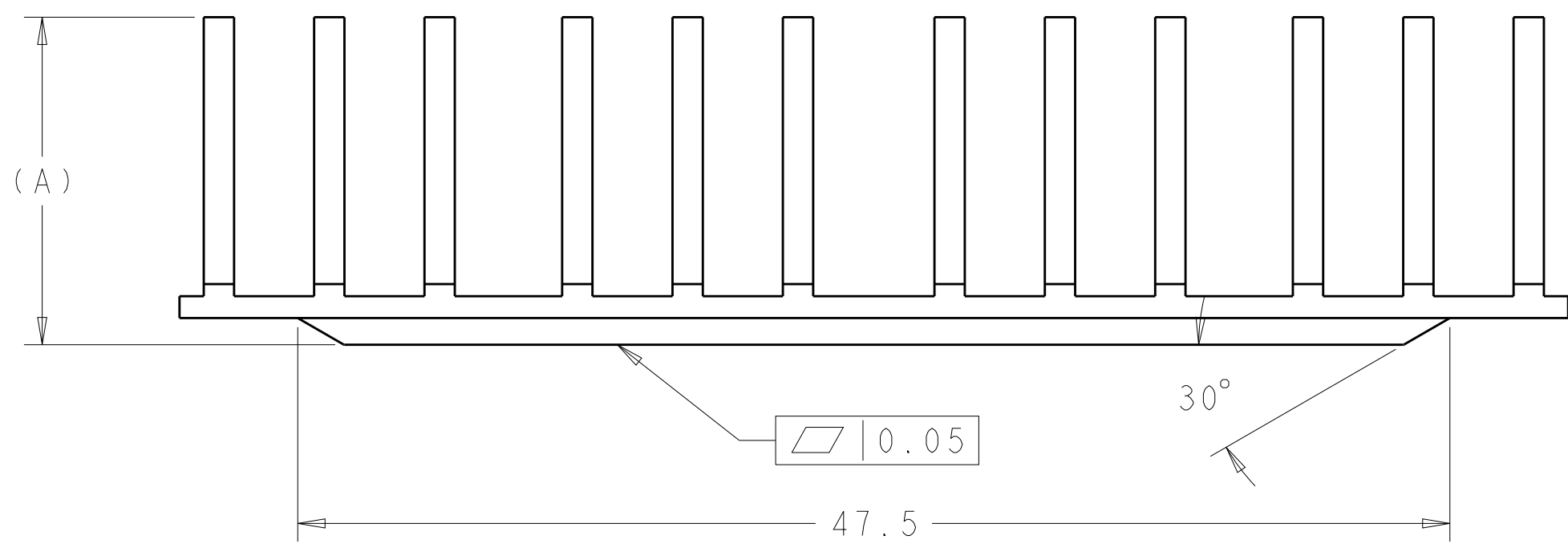


THIS DRAWING IS UNPUBLISHED. RELEASED FOR PUBLICATION 20  
 © COPYRIGHT 20 BY - ALL RIGHTS RESERVED.

LOC		DIST		REVISIONS			
P	LTR	DESCRIPTION	DATE	DWN	APVD		
-	-	A	03NOV2016	PP	SH		



SCALE 4:1



SCALE 5:2

- NOTES: UNLESS OTHERWISE SPECIFIED:
1. MATERIAL: ALUMINUM
  2. INTERPRET DRAWING PER ASME Y14.5M - 1994.
  3. FINISH: ANODIZED BLACK
  4. FINISH: NICKEL PLATED
  5. 0.20mm MAX BURR
  6. VARIATION IN PLATING COLOR IS NORMAL AND ALLOWD
  7. RoHS COMPLIANT AND CERTIFIED

12.7	4	1	2170488-8
12.7	3	1	2170488-6
13.5	4	1	2170488-4
13.5	3	1	2170488-2
DIM A	FINISH	MATERIAL	PART NUMBER

THIS DRAWING IS A CONTROLLED DOCUMENT.		DWN ROBERT 06 JAN 2013	TE Connectivity	
		CHK JASON 06 JAN 2013		
		APVD ALEX CAI 06 JAN 2013	NAME XFP, MSA NET WORK HEATSINK WITH LIGHT PIPE SLOT	
DIMENSIONS: mm		TOLERANCES UNLESS OTHERWISE SPECIFIED:		SIZE A200779
		0 PLC ±	±0.25	DRAWING NO C-2170488
		1 PLC ±0.15		RESTRICTED TO -
		2 PLC ±		
		3 PLC ±		
		4 PLC ±		
		ANGLES ±3		
MATERIAL ALUMINUM		FINISH		
		APPLICATION SPEC -	WEIGHT -	SCALE 1:1
		CUSTOMER DRAWING		SHEET 1 OF 1
				REV A

单击下面可查看定价，库存，交付和生命周期等信息

[>>TE Connectivity\(泰科\)](#)