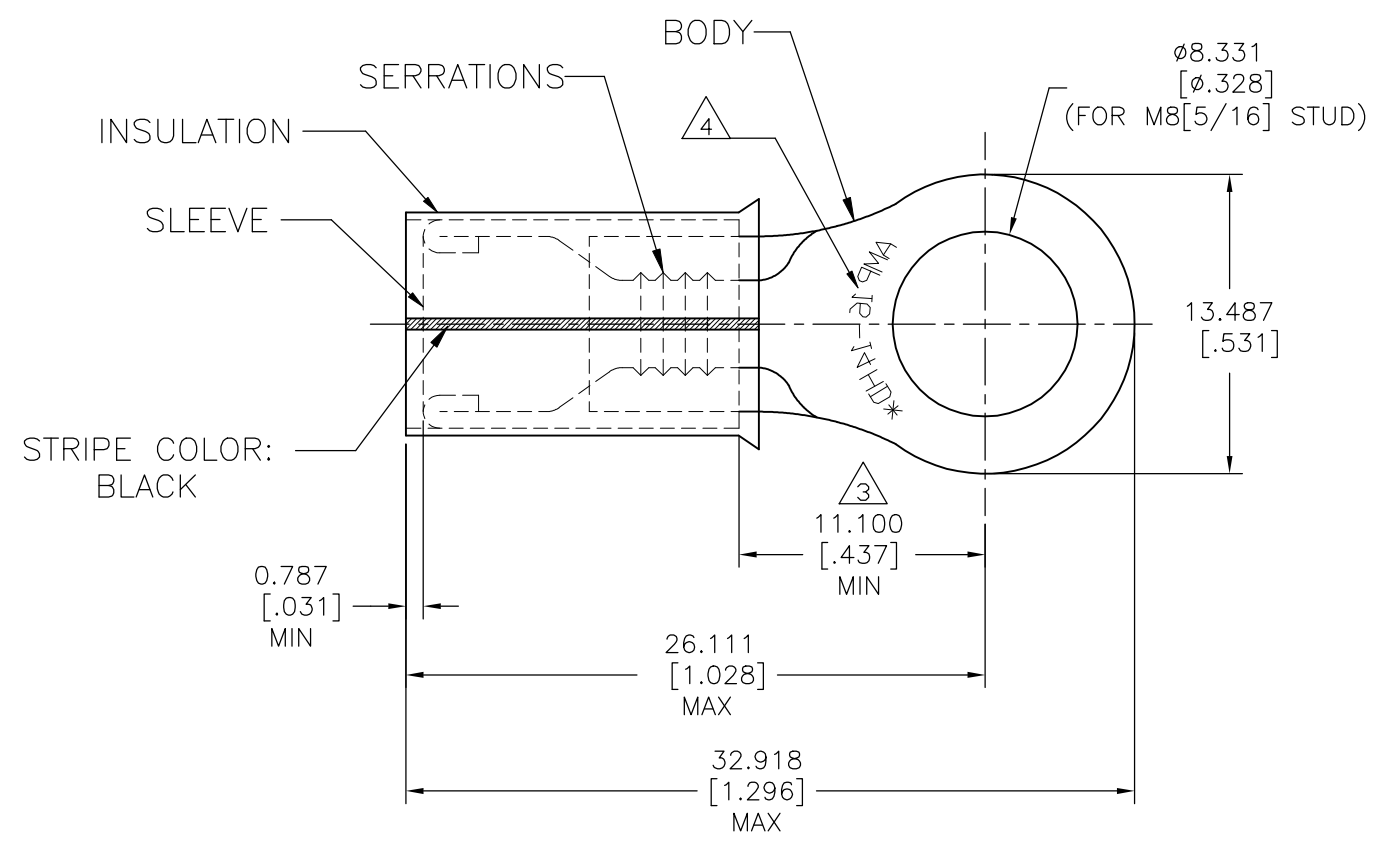


THIS DRAWING IS UNPUBLISHED. RELEASED FOR PUBLICATION  
 © COPYRIGHT - TE Connectivity Ltd. ALL RIGHTS RESERVED.

REVISIONS				
P	LTR	DESCRIPTION	DATE	APVD
	J1	REVISED PER ECO-17-008114	12JUN2018	RS DR

<b>AMP</b> WIRE RANGE	E13288 Listed	LR7189 Certified
16-14 AWG SOLID OR STRANDED	16-14 AWG SOLID OR STRANDED	16-14 AWG SOLID OR STRANDED



- 1 FOR 3.810 TO 6.350[.150 TO .250] WIRE INSULATION DIA
- 2 BODY MATERIAL THK: 1.219±0.051[.048±.002]
- △3 APPLIES FROM EDGE OF METAL WIRE BARREL TO CENTER OF STUD HOLE
- △4 STAMP AMP 16-14 HD\* APPROX AS SHOWN
- △5 MATERIAL:  
BODY & SLEEVE: COPPER PER ASTM B152  
INSULATION: NYLON
- △6 FINISH:  
BODY & SLEEVE: TIN PL PER ASTM B545  
INSULATION: COLOR - YELLOW

500	LOOSE PIECE	34810
QTY	PACKAGE TYPE	PART NO

THIS DRAWING IS A CONTROLLED DOCUMENT.		DWN	12JUN2018		TE Connectivity Ltd.
		CHK	12JUN2018		
		APVD	12JUN2018		NAME WIRE TERMINAL, P.I.D.G. - RING TONGUE WIRE SIZE: 16-14 AWG HD
		PRODUCT SPEC	UL 486 A-B		
		APPLICATION SPEC	114-2157		SIZE A3
		WEIGHT	00779		
		CUSTOMER DRAWING		SCALE	NTS
		SHEET		1 OF 1	
		REV		J1	

DIMENSIONS: mm [INCHES]	TOLERANCES UNLESS OTHERWISE SPECIFIED:
	0 PLC ± -
	1 PLC ± -
	2 PLC ± -
	3 PLC ± 0.127[.005]
	4 PLC ± -
	ANGLES ± 5°
MATERIAL	FINISH
△5	△6

单击下面可查看定价，库存，交付和生命周期等信息

[>>TE Connectivity\(泰科\)](#)