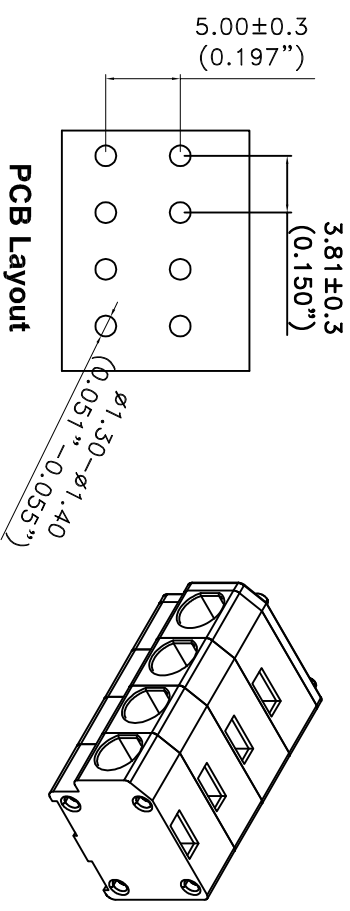
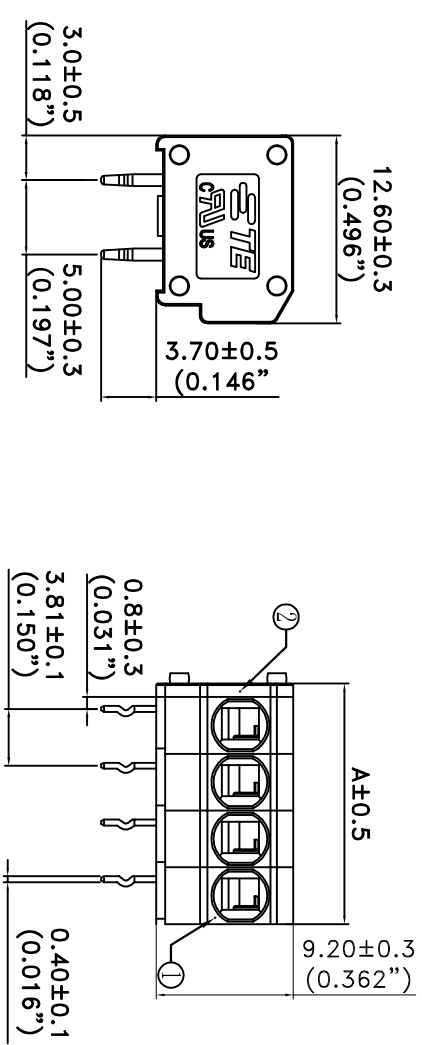


REV	DATE	DMN	APP'D
1	24/02/2015	GF	SJM

REV	DATE	DMN	APP'D
1	24/02/2015	GF	SJM



PCB Layout

NOTES :

- 1. MATERIALS AND FINISH:
 - HOUSING: PA66
 - CONTACTS: COPPER, FINISH: TIN OVER COPPER UNDERPLATE
- 2. MUST COMPLY WITH DIRECTIVE 2002/95/EC (ROHS)
- 3. WIRE TYPES AND SIZES ACCEPTED
 - WIRE RANGE: 16AWG~20AWG.
 - STRIP LENGTH: 9.0mm~10.0mm
- 4. PACKAGED IN TRAY.
- 5. CURRENT RATING: 8AMP AC300V.
- 6. OPERATION TEMPERATURE: -40°C TO +105°C
- 7. THIS PART NO. IS THE SAME STRUCTURE AS THE SERIES: 2834088
- 8. THE DATASHEET AND MORE DETAILS PLEASE FOLLOW THE SERIES: 2834088

NO. OF POSITIONS	PART NO
1	HOUSING
2	COVER
3	CONTACT
4	WIRE PROTECTOR

31.38	8 POSN	2834088-7
27.57	7 POSN	2834088-6
23.76	6 POSN	2834088-5
19.95	5 POSN	2834088-4
16.14	4 POSN	2834088-3
12.33	3 POSN	2834088-2
8.52	2 POSN	2834088-1

THIS DRAWING IS A CONTROLLED DOCUMENT.

STE TE Connectivity

381 Horizontal Entry Screwless Connector

DATE: 14-13/147

SCALE: 1:1

单击下面可查看定价，库存，交付和生命周期等信息

[>>TE Connectivity\(泰科\)](#)