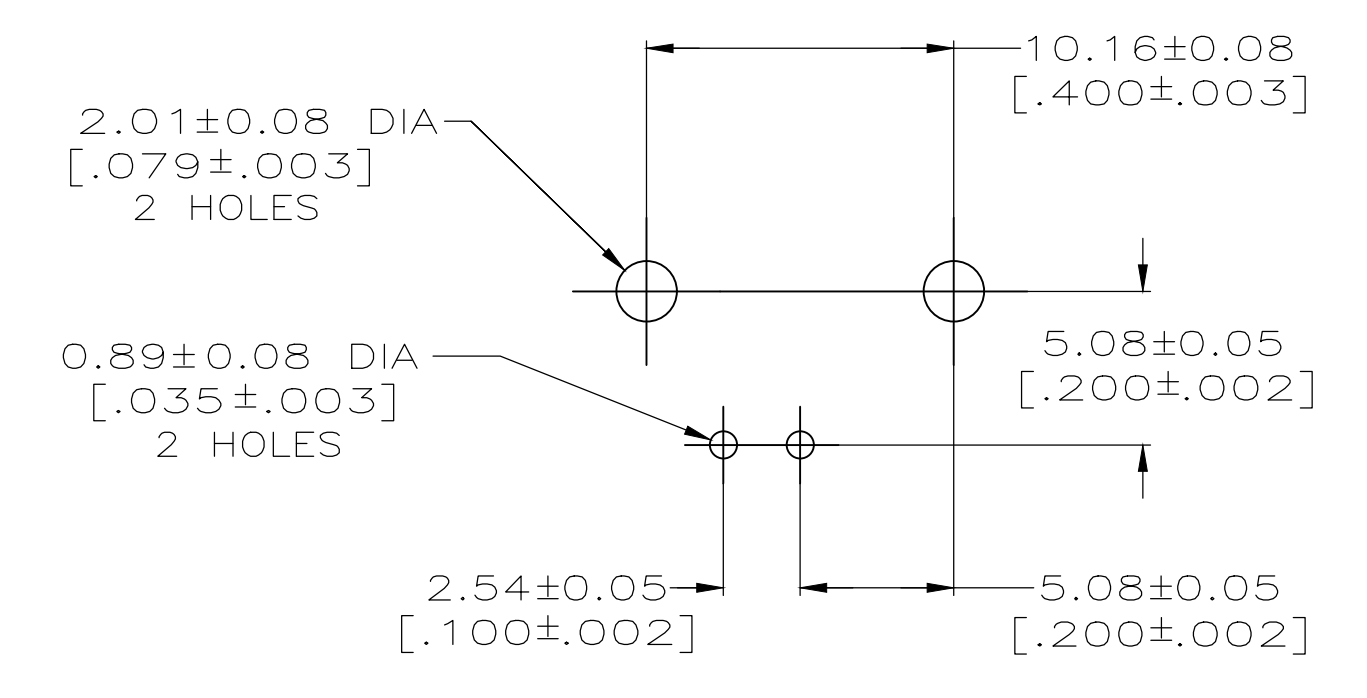
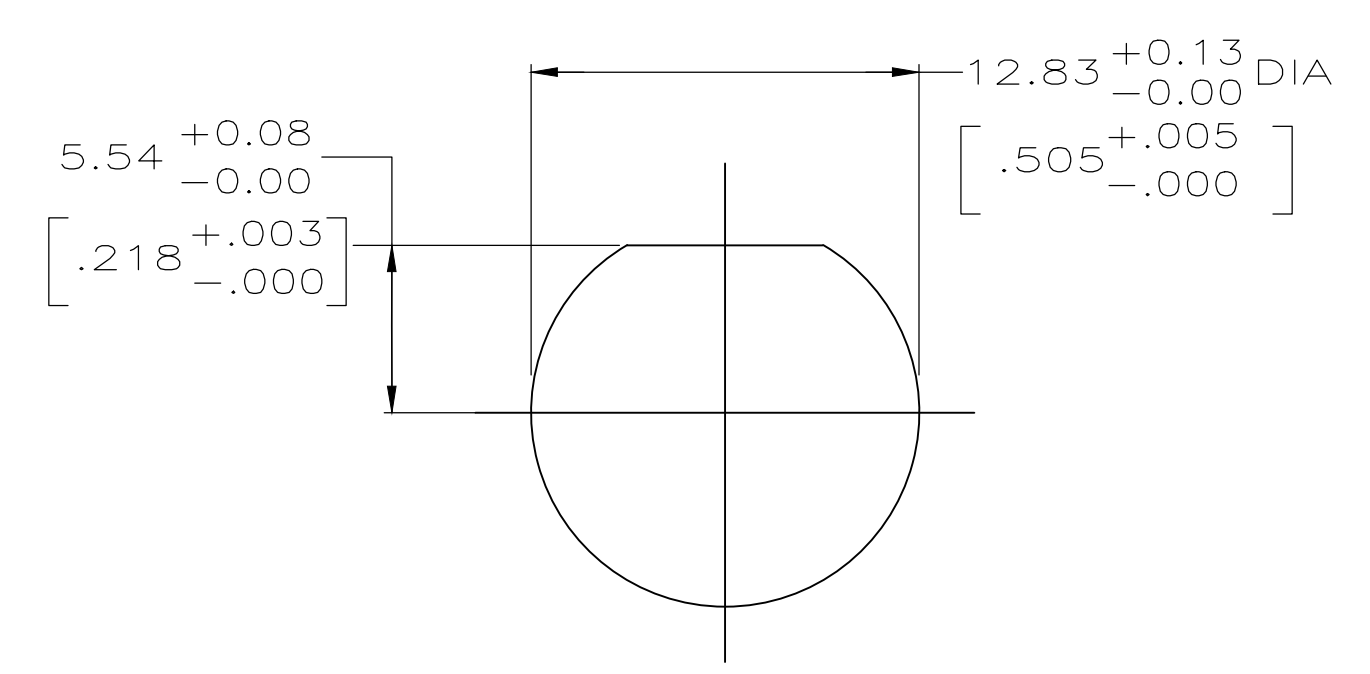
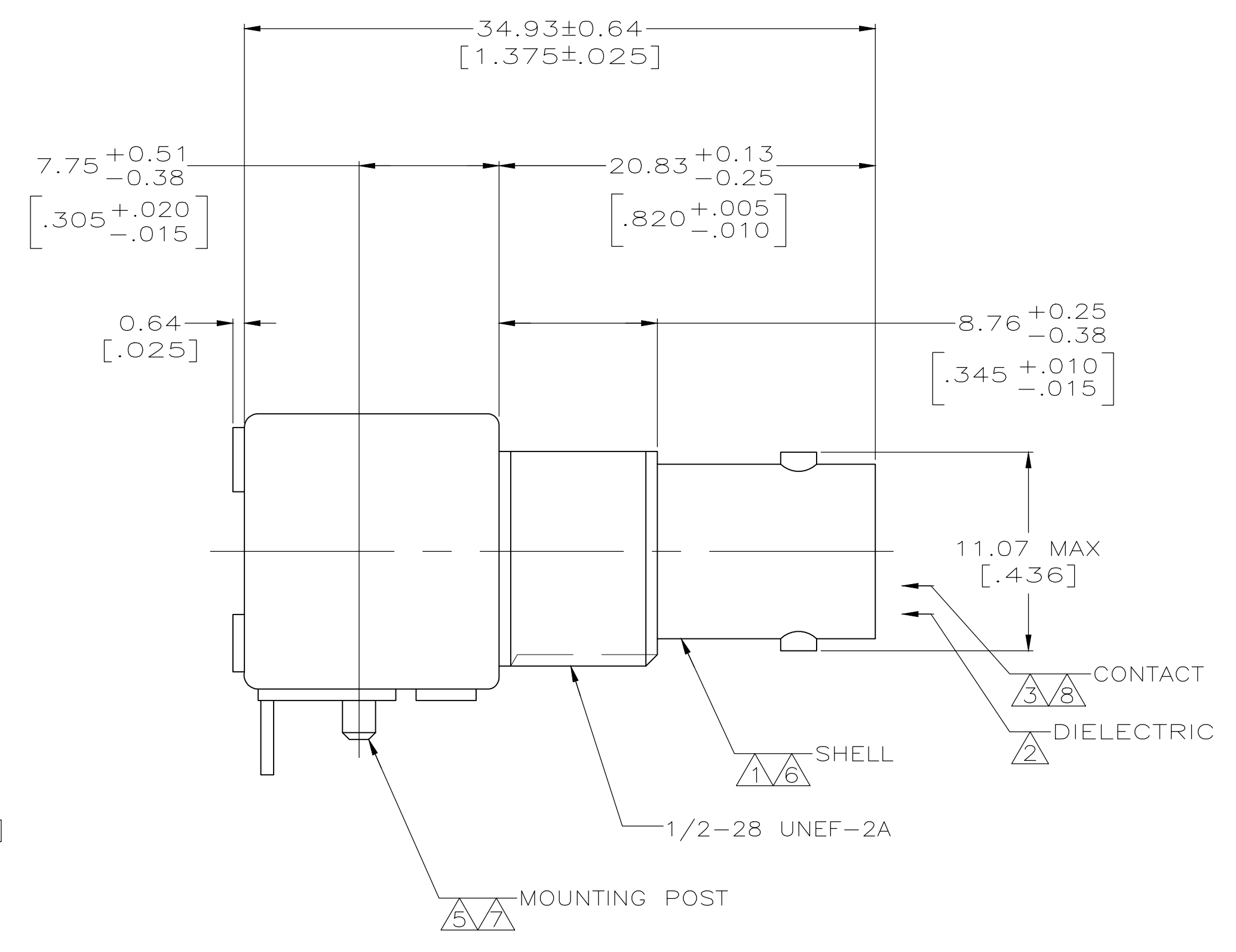
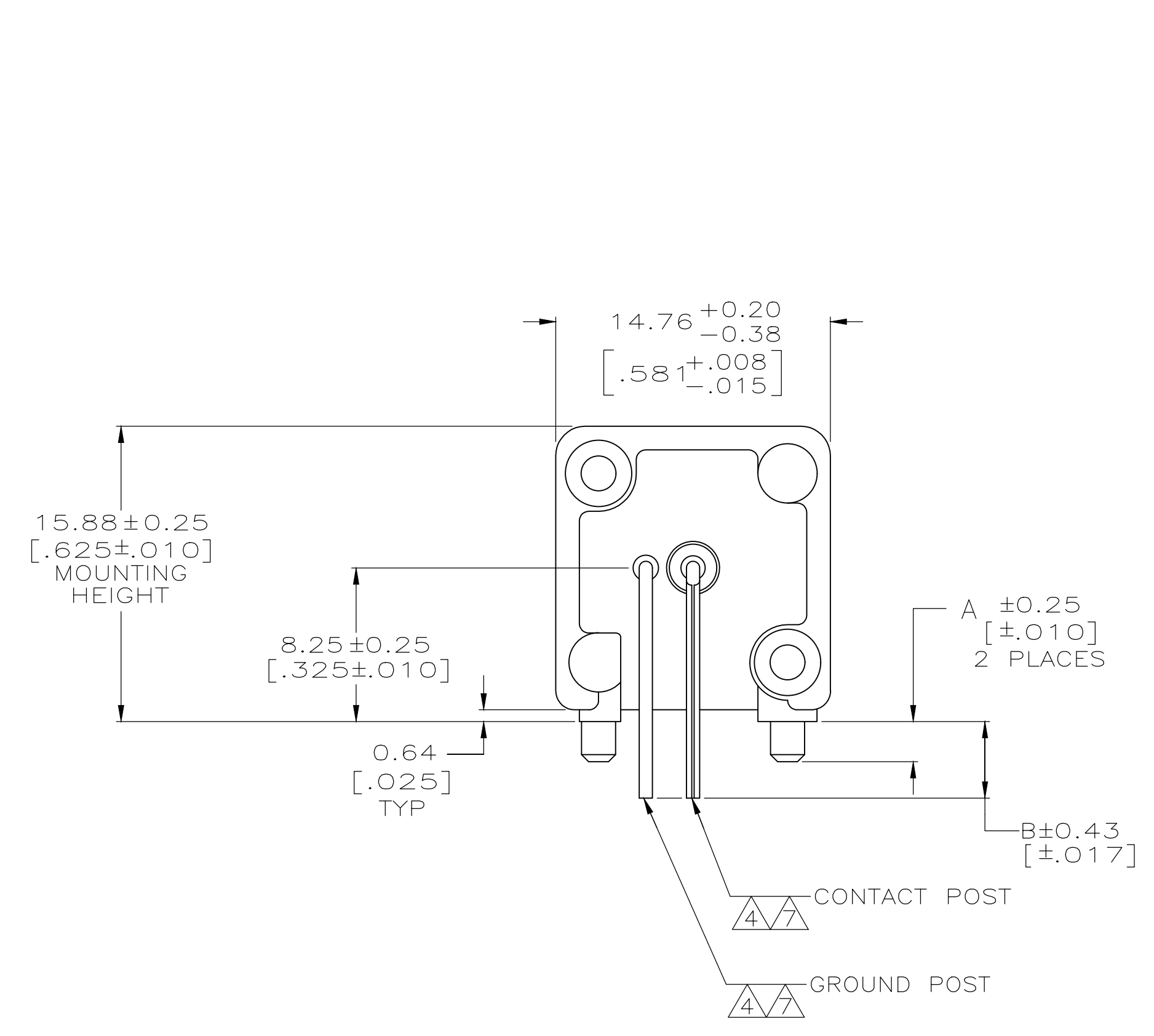


REVISIONS				
P	LTR	DESCRIPTION	DATE	APPV
A2		REVISED PER ECO-16-004550	19JAN2020	RZ RS

- 1 ZINC PER QQ-Z-363.
- 2 POLYMETHYLPENTENE, GENERAL PURPOSE.
- 3 BERYLLIUM COPPER PER QQ-C-530.
- 4 BRASS PER ASTM-B-453.
- 5 BRASS PER ASTM-B-16.
- 6 NICKEL PLATE PER QQ-N-290, 3.81 μm [.000150] MINIMUM THICK.
- 7 TIN PLATE PER ASTM-B-545, 3.81 μm [.000150] MINIMUM THICK.
- 8 GOLD PLATE PER MIL-G-45204, 0.20 μm [.000008] MINIMUM THICK.
- 9. SEE INSTRUCTION SHEET 408-2769.



4.11 [.162]	3.48 [.137]	5222092-3
4.11 [.162]	2.16 [.085]	5222092-1
B	A	PART NUMBER

THIS DRAWING IS A CONTROLLED DOCUMENT.

DIMENSIONS: mm (INCHES)	TOLERANCES UNLESS OTHERWISE SPECIFIED:	DIN J. ALCORTA - 21APR2005 DOCK5 21APR2005	TE Connectivity
0 PLC ± -	1 PLC ± -	APVD J. HAVENER 21APR2005	NAME
2 PLC ± -	3 PLC ± 0.20 [.008]	PRODUCT SPEC	JACK, RIGHT ANGLE, PCB 75 OHM, SERIES BNC
4 PLC ± -	ANGLES ± -	APPLICATION SPEC	SIZE
MATERIAL SEE NOTES 1-5	FINISH SEE NOTES 6-8	WEIGHT 0.000000	CAGE CODE A100779
CUSTOMER DRAWING		DRAWING NO 5222092	RESTRICTED TO
SCALE 4:1		SHEET 1 OF 1	REV A2

单击下面可查看定价，库存，交付和生命周期等信息

[>>TE Connectivity\(泰科\)](#)