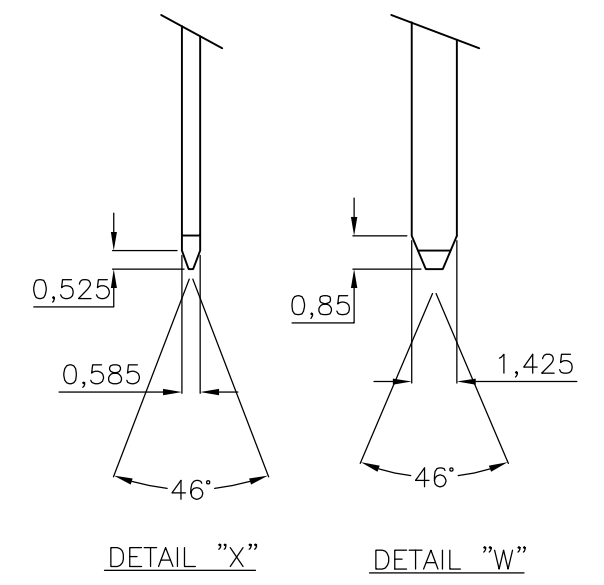
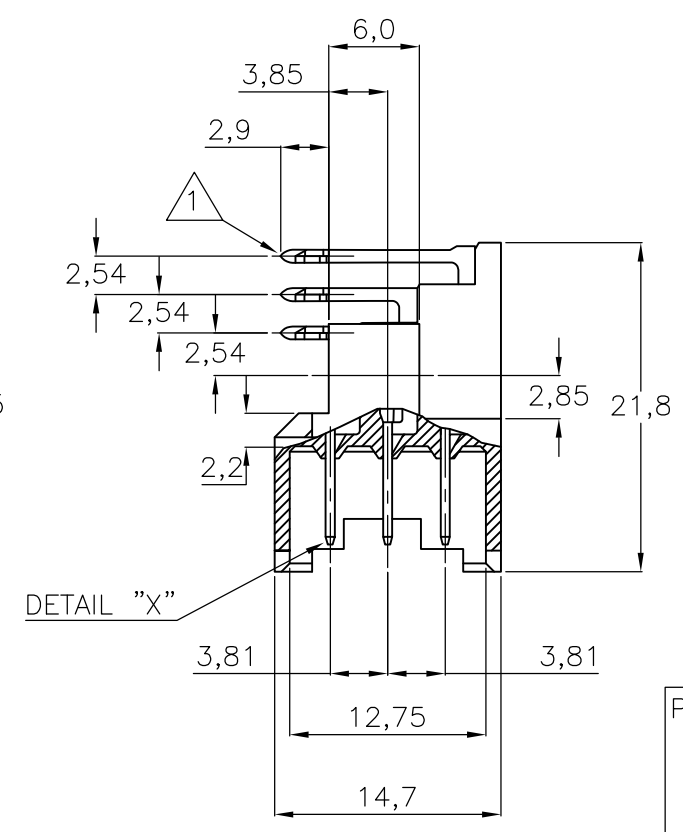
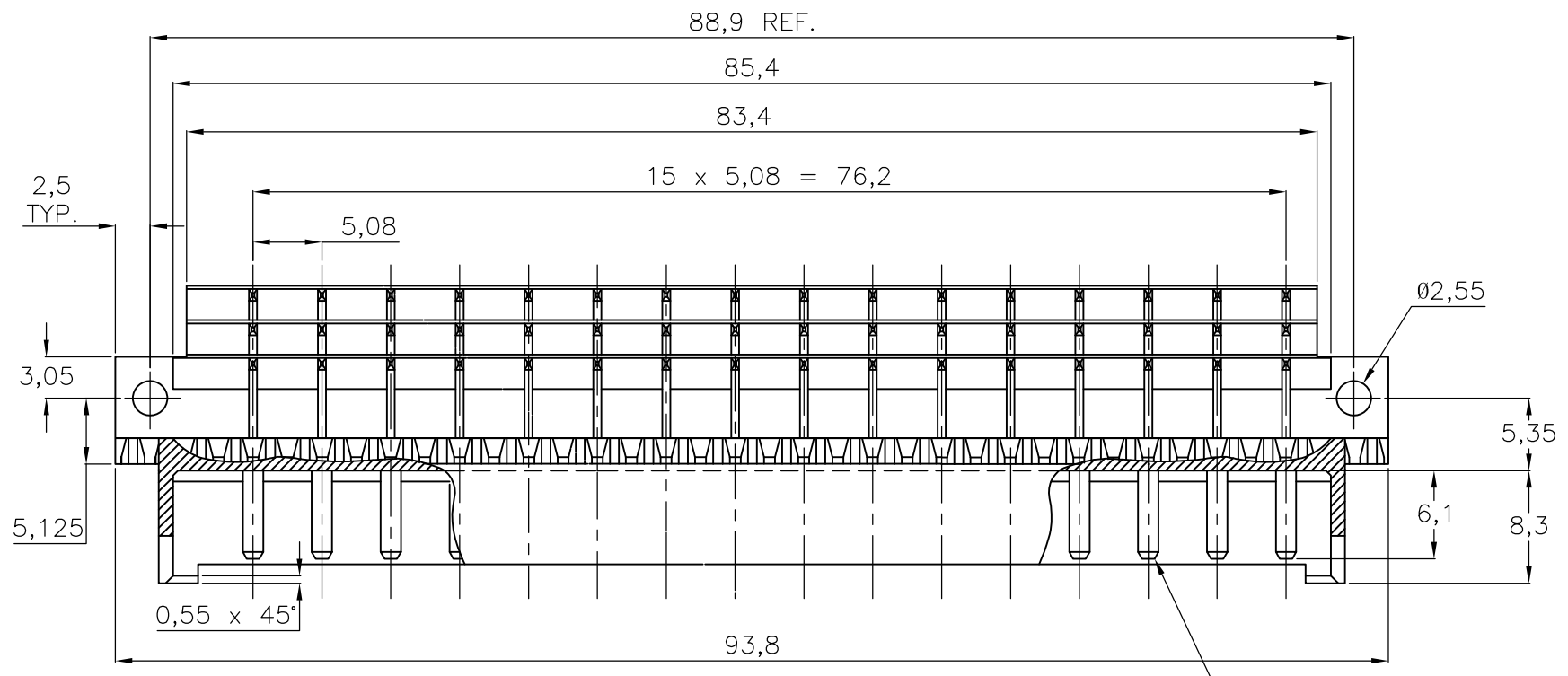


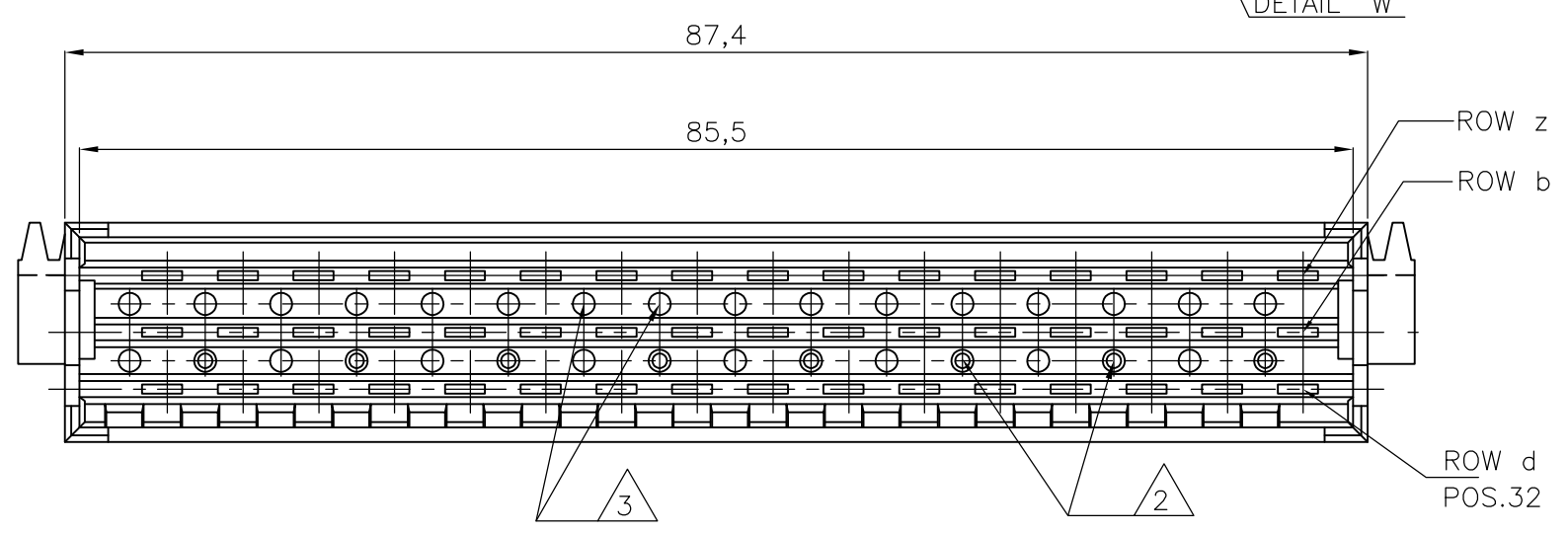
THIS DRAWING IS UNPUBLISHED. RELEASED FOR PUBLICATION
 © COPYRIGHT BY TYCO ELECTRONICS CORPORATION. ALL INTERNATIONAL RIGHTS RESERVED.

LOC	DIST	REVISIONS					
		P	LTR	DESCRIPTION	DATE	DWN	APVD
H	-	F	EH-0186-94		23-03-94	RVL	-
		G	ECR-07-020965		26-08-08	AEG	MKO

- NOTES:
- 1 ACTION-PIN AREA SUITABLE FOR P.C.B.-THICKNESS 1,6 mm.
 - 2 8 KEYING HOLES SUITABLE FOR KEYING PIN P.N.215916-1
 - 3 KEYING HOLES CAN BE DRILLED BY CUSTOMER.



P.C.B. HOLE DIM. ACTION PIN	
DRILLED HOLE	: 1,15 ± 0,025 mm
FIN. HOLE	: 0,94 to 1,09 mm
AFTER REFLOW	: 0,91 to 1,09 mm
Cu-thks	: 0,025 to 0,075 mm
SnPb-thks	: 0,004 to 0,010 mm



OBSOLETE	SAME AS -1 ONLY 0,8µm AU.	HOUSING: GLASSFILLED POLYESTER (GREY)	215435-4
	AT CONT. AREA: 1,25µm Ni OVER 1,25µm Ni	CONTACTS: PHOSPHORBRONZE	215435-1
	AT POST AREA: 2,5µm Sn OVER 1,25µm Ni		
	FINISH	MATERIAL	PN

CONTACT No.	2	4	6	8	10	12	14	16	18	20	22	24	26	28	30	32
F 48 ROW z	x	x	x	x	x	x	x	x	x	x	x	x	x	x	x	x
b	x	x	x	x	x	x	x	x	x	x	x	x	x	x	x	x
d	x	x	x	x	x	x	x	x	x	x	x	x	x	x	x	x

AN ASTERISK „X” DENOTES A CONTACT.

THIS DRAWING IS A CONTROLLED DOCUMENT.

DIMENSIONS: mm	TOLERANCES UNLESS OTHERWISE SPECIFIED:	DWN R.V.LOKVEN 03JUN86	Tyco Electronics Corporation 's-Hertogenbosch, Nederland
	0 PLC ± -	CHK J.GRUNSVEN 24JUN86	
	1 PLC ± -	APVD L.V.SOEST 10JUL86	
	2 PLC ± -	NAME	
	3 PLC ± -	PRODUCT SPEC	48 POS. DIN 41612 F MALE 90° ACTION PIN CONNECTOR
	4 PLC ± -	APPLICATION SPEC	SIZE A3 CAGE CODE 00779 DRAWING NO C-215435 RESTRICTED TO -
MATERIAL -	FINISH -	WEIGHT -	SCALE NTS SHEET 1 OF 1 REV G

CUSTOMER DRAWING

单击下面可查看定价，库存，交付和生命周期等信息

[>>TE Connectivity\(泰科\)](#)