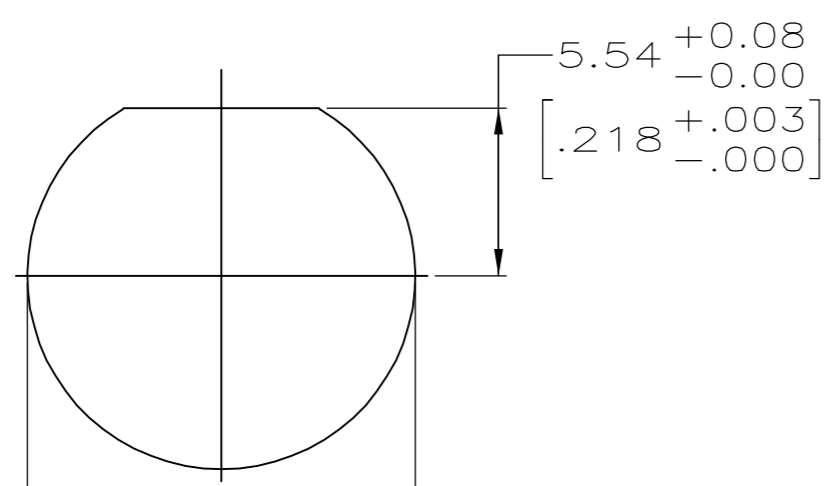
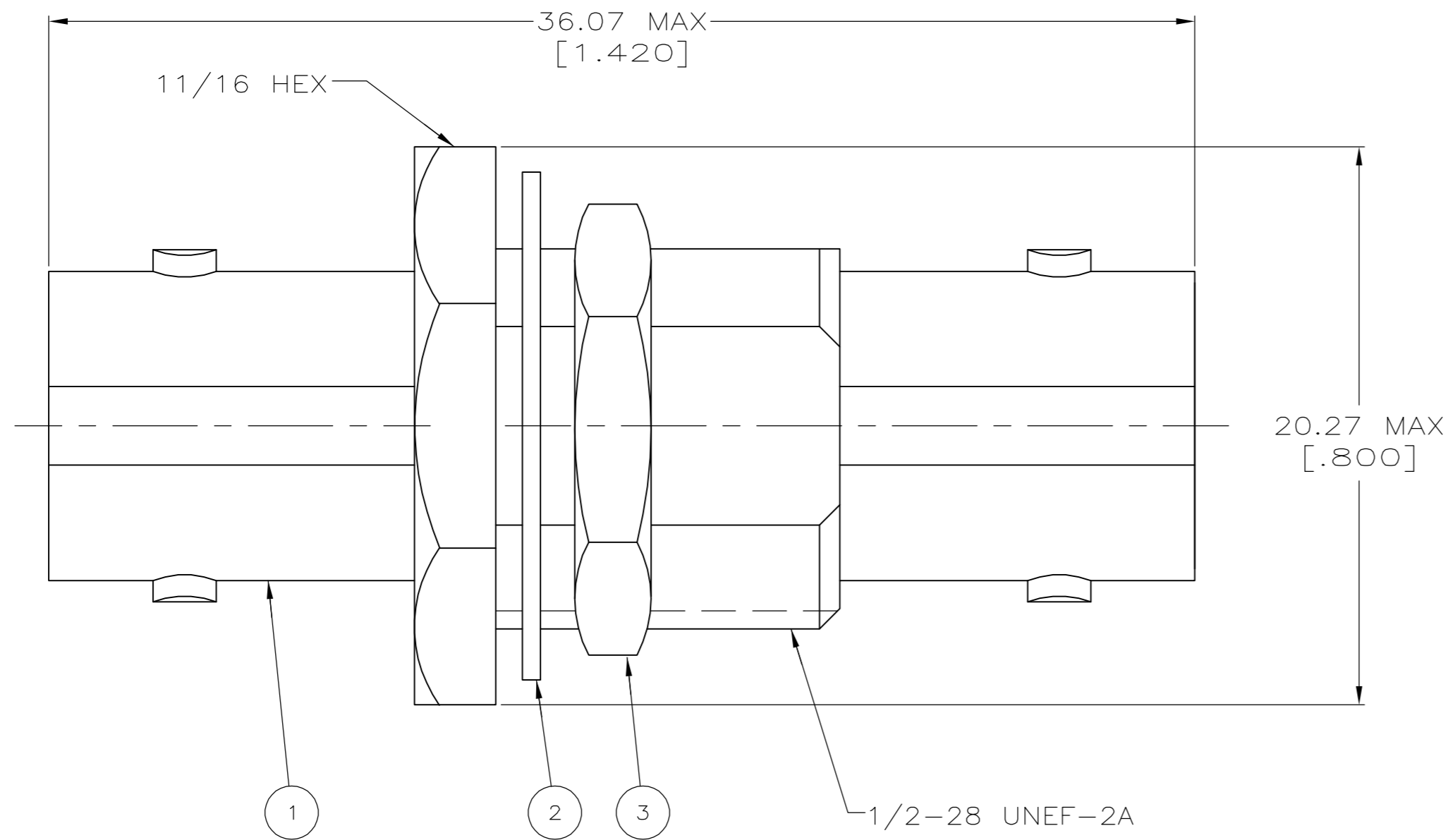


THIS DRAWING IS UNPUBLISHED. RELEASED FOR PUBLICATION
 © COPYRIGHT BY TYCO ELECTRONICS CORPORATION. ALL RIGHTS RESERVED.

LOC	DIST	REVISIONS			
P	LTR	DESCRIPTION	DATE	DWN	APVD
AJ	16	A	REVISED PER ECO-06-012234	31MAY2006	KS JH

- 1. PARTS PACKAGED UNASSEMBLED
- 2. PANEL THICKNESS = 6.35 [.250] MAX



RECOMMENDED PANEL CUTOUT
 SCALE 4:1

1-329631-2	1-329632-2	222118-1	5222117-1
3 JAM NUT QTY=1	2 LOCK WASHER QTY=1	1 JACK ADAPTOR ASSY QTY=1	PART NUMBER

THIS DRAWING IS A CONTROLLED DOCUMENT.		DWN J. ALCORTA - DOCK5 19APR2005	Tyco Electronics Corporation Harrisburg, Pa 17105-3608	
DIMENSIONS: mm [INCHES]		CHK J. HAVENER 19APR2005	NAME ADAPTER, JACK, BULKHEAD 75 OHM, COMMERCIAL, BNC	
TOLERANCES UNLESS OTHERWISE SPECIFIED: 0 PLC ± - 1 PLC ± - 2 PLC ± - 3 PLC ± - 4 PLC ± - ANGLES ± - FINISH -		APVD J. LIPPERT 19APR2005	DRAWING NO A2 00779 C=5222117	
MATERIAL -		PRODUCT SPEC -	RESTRICTED TO -	SCALE 5:1 SHEET 1 OF 1 REV A
CUSTOMER DRAWING		WEIGHT -		

单击下面可查看定价，库存，交付和生命周期等信息

[>>TE Connectivity\(泰科\)](#)