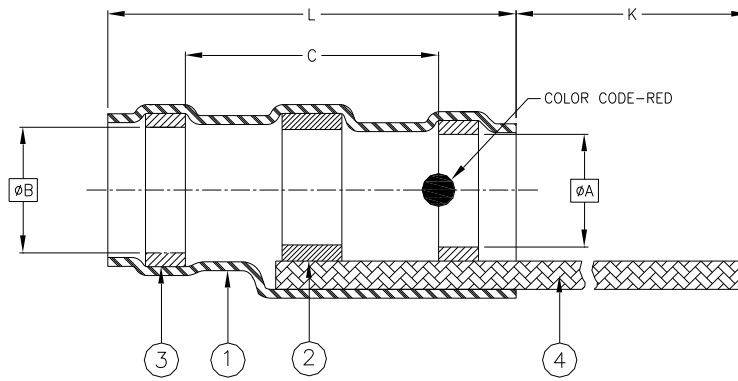


CUSTOMER DRAWING



Product Name	Product Dimensions					Cable Dimensions		
	L±1.75 (L±0.70)	øA min	øB min	C min	K min	øD max	øE min	J±0.5 (J±0.02)
D-108-0052	27.90 (1.100)	8.75 (0.345)	9.75 (0.385)	13.35 (0.525)	150.0 (5.90)	9.75 (0.385)	5.00 (0.200)	10.8 (0.425)

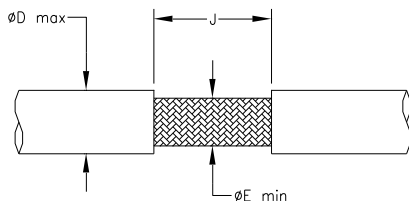
MATERIALS

1. INSULATION SLEEVE: Heat-shrinkable, transparent blue, radiation cross-linked modified polyvinylidene fluoride.
2. SOLDER PREFORM WITH FLUX:
SOLDER: TYPE Sn96 per ANSI-J-STD-006.
FLUX: TYPE ROM1 per ANSI-J-STD-004.
3. SEALING RINGS: Thermally stabilized thermoplastic. Color: transparent gray.
4. BRAID STRAP: Ni-Plated copper strands per ASTM B355, Class 4. CMA = 1800

APPLICATION

1. This part is designed to provide an environment protected shield termination on cables, rated for 135°C minimum, meeting the dimensional criteria listed and having nickel-plated copper shields.
2. Install using TE Connectivity-approved convection or infrared tools in accordance with Raychem assembly procedure RCPS-100-70.
3. Assemblies will meet requirements or Raychem specification RT-1404.
4. Temperature range: -55°C to +175°C.

For best results, prepare the cable as shown:



TE Connectivity, TE connectivity (logo), Raychem, and SolderSleeve are trademarks

			TITLE: SOLDERSLEEVE SHIELD TERMINATOR WITH PRE-INSTALLED BRAID STRAP				
Unless otherwise specified dimensions are in millimeters. [Inches dimensions are shown in brackets] Dimensioning and Tolerancing per ASME Y14.5-2009		Raychem Devices	DOCUMENT NO.: D-108-0052				
TOLERANCES: 0.00 ± 0.02 MM 0.0 ± 0.2 MM 0 ± 0.5 MM	ANGLES: ± 0°30' ROUGHNESS IN MICRON	TE Connectivity reserves the right to amend this drawing at any time. Users should evaluate the suitability of the product for their application.		Revision : E		Issue Date : April 2020	
PREPARED BY: YNGUYEN	CAGE CODE: 06090	DATE: July 6, 2012		ECO: ECO-20-004960	SCALE: NTS	SIZE: A	SHEET: 1 of 1

© 2020 Tyco Electronics Corporation. All rights reserved.

If this document is printed it becomes uncontrolled. Check for the latest revision

单击下面可查看定价，库存，交付和生命周期等信息

[>>TE Connectivity\(泰科\)](#)