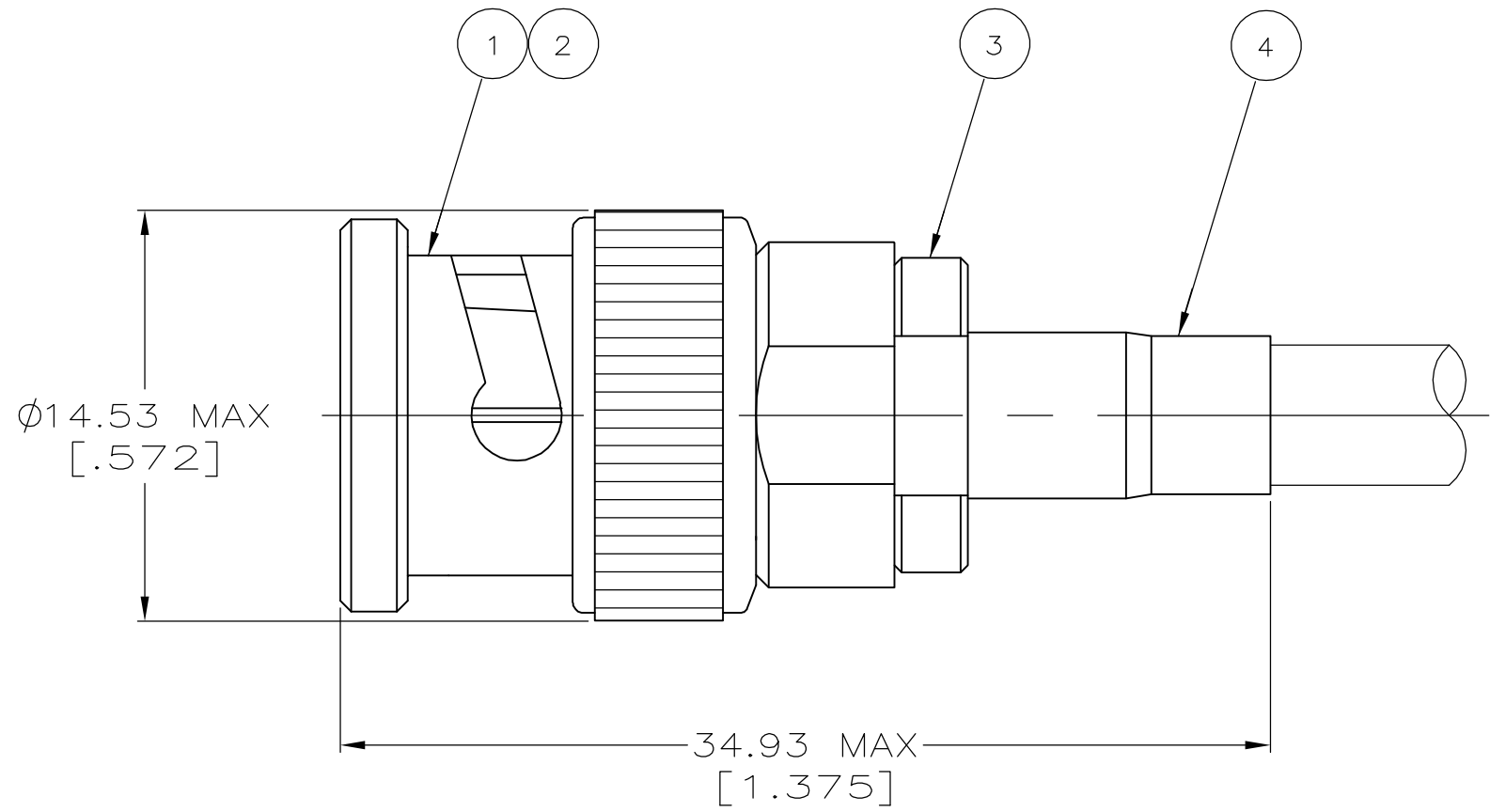
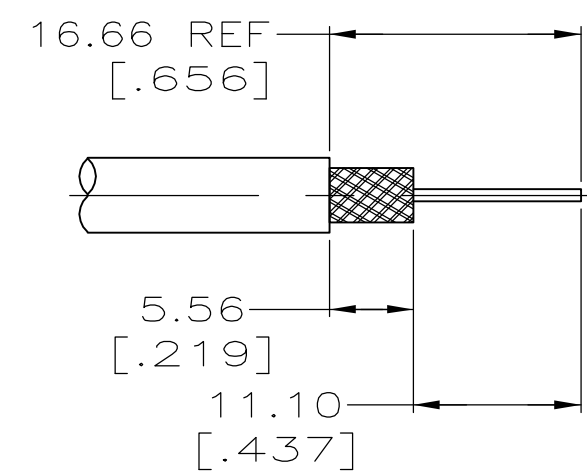


THIS DRAWING IS UNPUBLISHED. RELEASED FOR PUBLICATION  
 © COPYRIGHT - BY TYCO ELECTRONICS CORPORATION. ALL RIGHTS RESERVED.

LOC	DIST	REVISIONS					
AJ	16	P	LTR	DESCRIPTION	DATE	DWN	APVD
		0		REL PER EC 0S14-0101-05	19APR2005	GA	JL



1. USE INSTRUCTION SHEET 408-1799-1
2. USE CRIMP TOOL 69140-1 WITH CABLE RG-58/U, 58A/U, 58B/U, 58C/U
3. USE CRIMP TOOL 69140-2 WITH CABLE RG-55/U, 55A/U, 55B/U AND 223/U



RECOMMENDED STRIP LENGTH  
SCALE 2:1

3	9-329099-2	9-50780-0	2-329106-1	9-329804-0	2-5329444-2
2	9-328663-0	9-50780-0	2-329106-1	9-329804-0	2-5329444-1
4	FERRULE QTY=1	3	CRIMP END ASSEMBLY QTY=1	2	GASKET QTY=1
				1	PLUG ASSEMBLY QTY=1
					PART NUMBER

THIS DRAWING IS A CONTROLLED DOCUMENT.

DIMENSIONS: mm [INCHES]	TOLERANCES UNLESS OTHERWISE SPECIFIED:	DWN G. ATTADIA - DOCK5 19APR2005	Tyco Electronics Corporation Harrisburg, Pa 17105-3608
	0 PLC ± - 1 PLC ± - 2 PLC ± 0.41 [.016] 3 PLC ± - 4 PLC ± - ANGLES ± -	CHK J. HAVENER 19APR2005	
MATERIAL	FINISH	APVD J. LIPPERT 19APR2005	NAME
		PRODUCT SPEC	PLUG, BNC
		APPLICATION SPEC	
		WEIGHT	SIZE CAGE CODE DRAWING NO RESTRICTED TO
			A3 00779 C-5329444 -
CUSTOMER DRAWING		SCALE 4:1	SHEET 1 OF 1 REV 0

单击下面可查看定价，库存，交付和生命周期等信息

[>>TE Connectivity\(泰科\)](#)