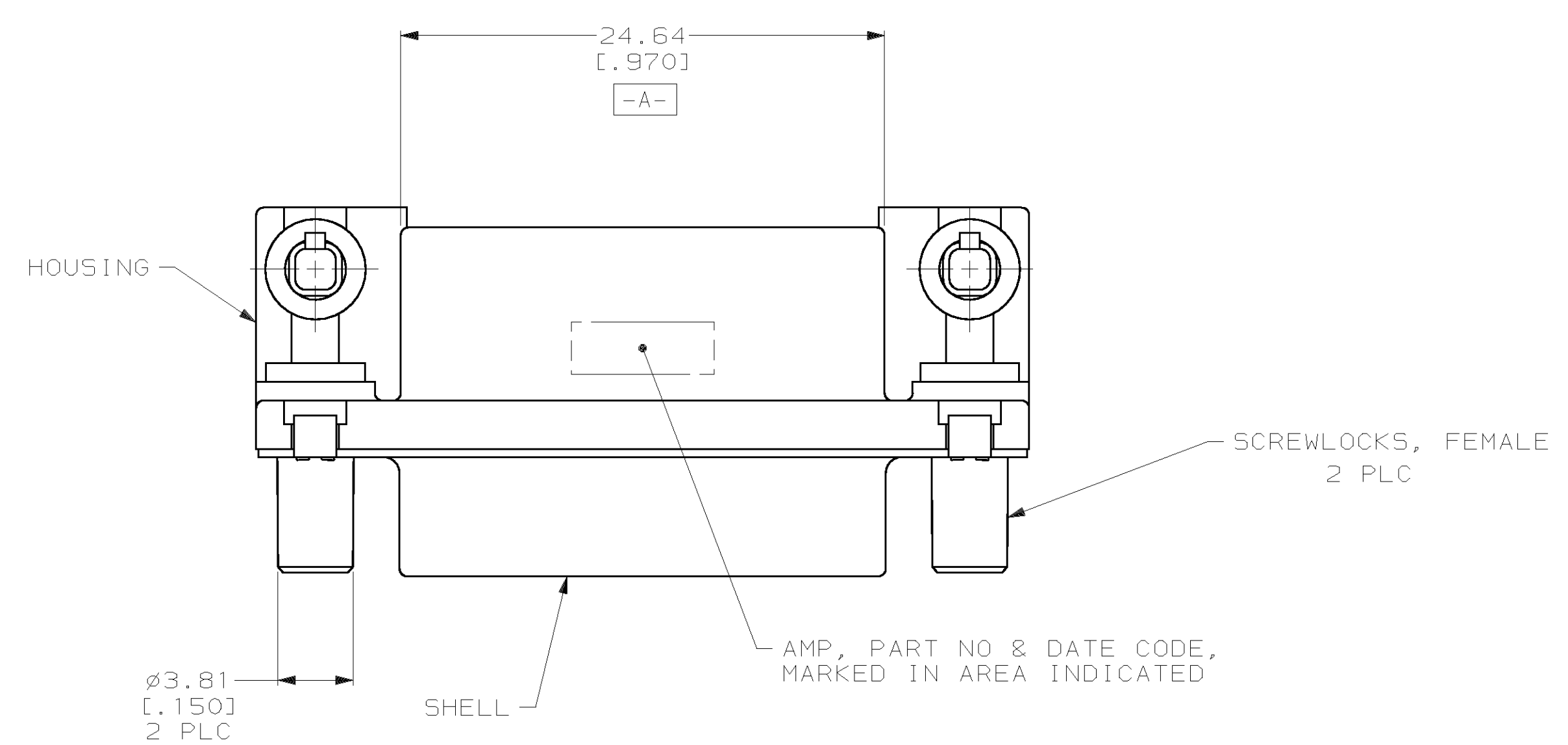
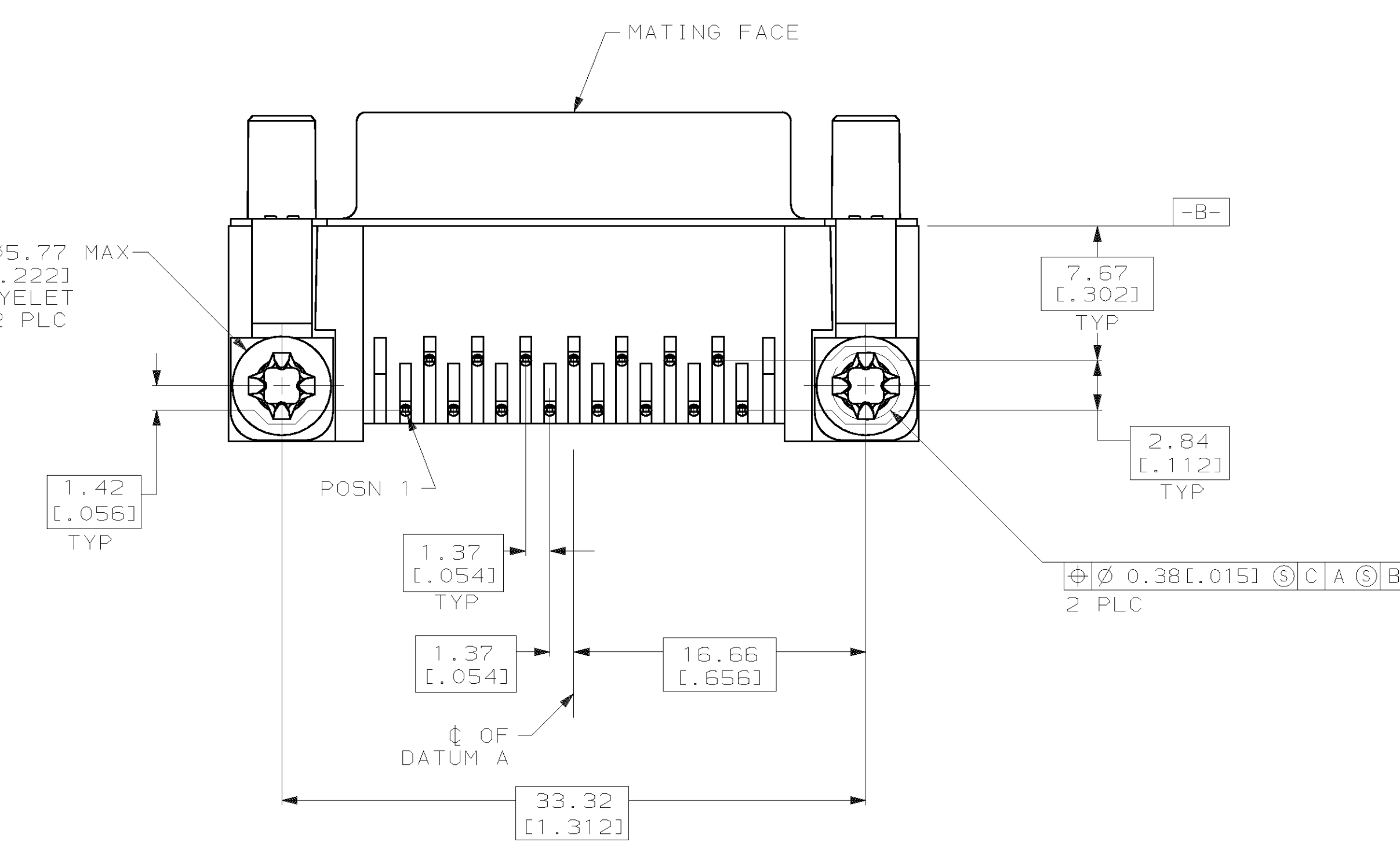
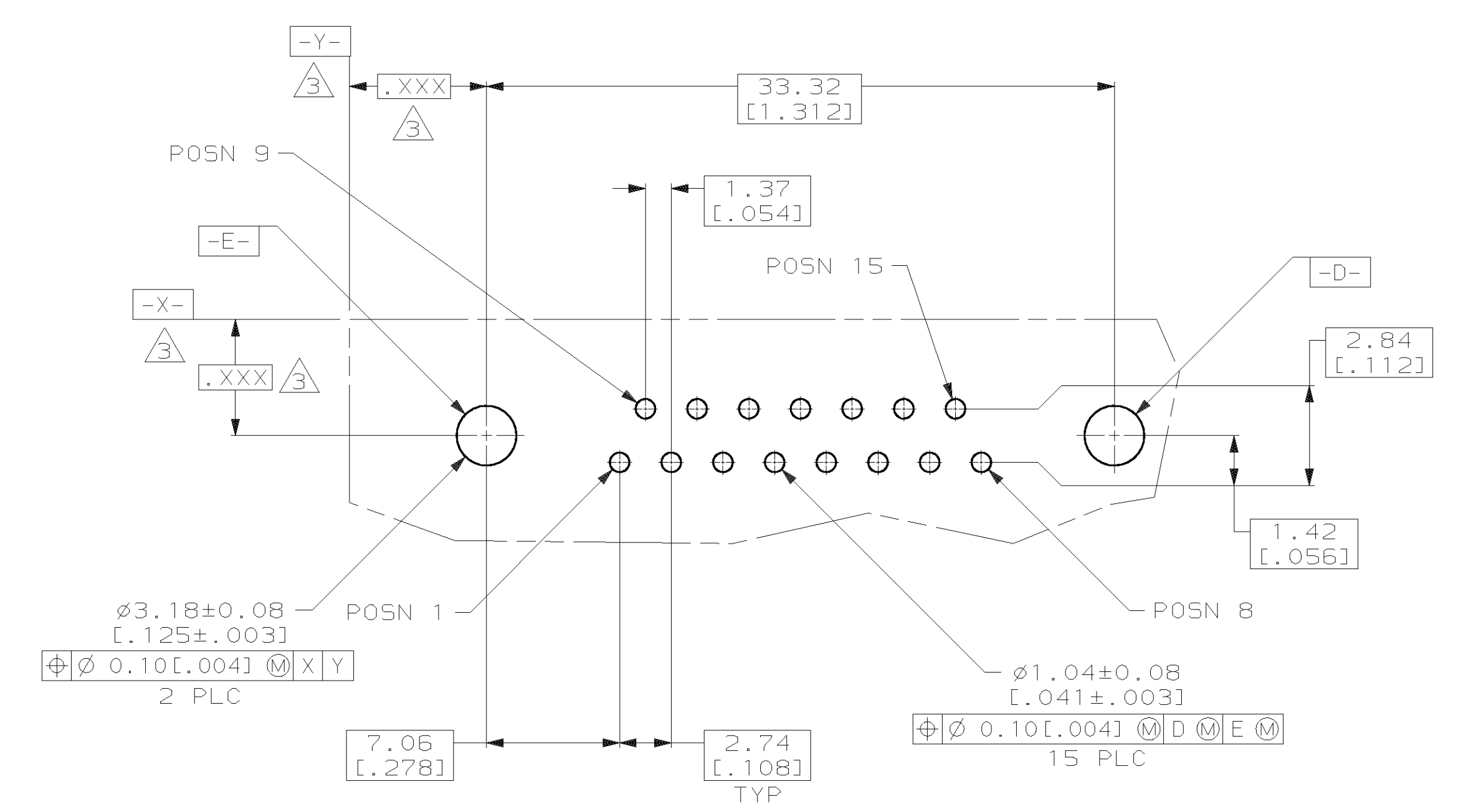
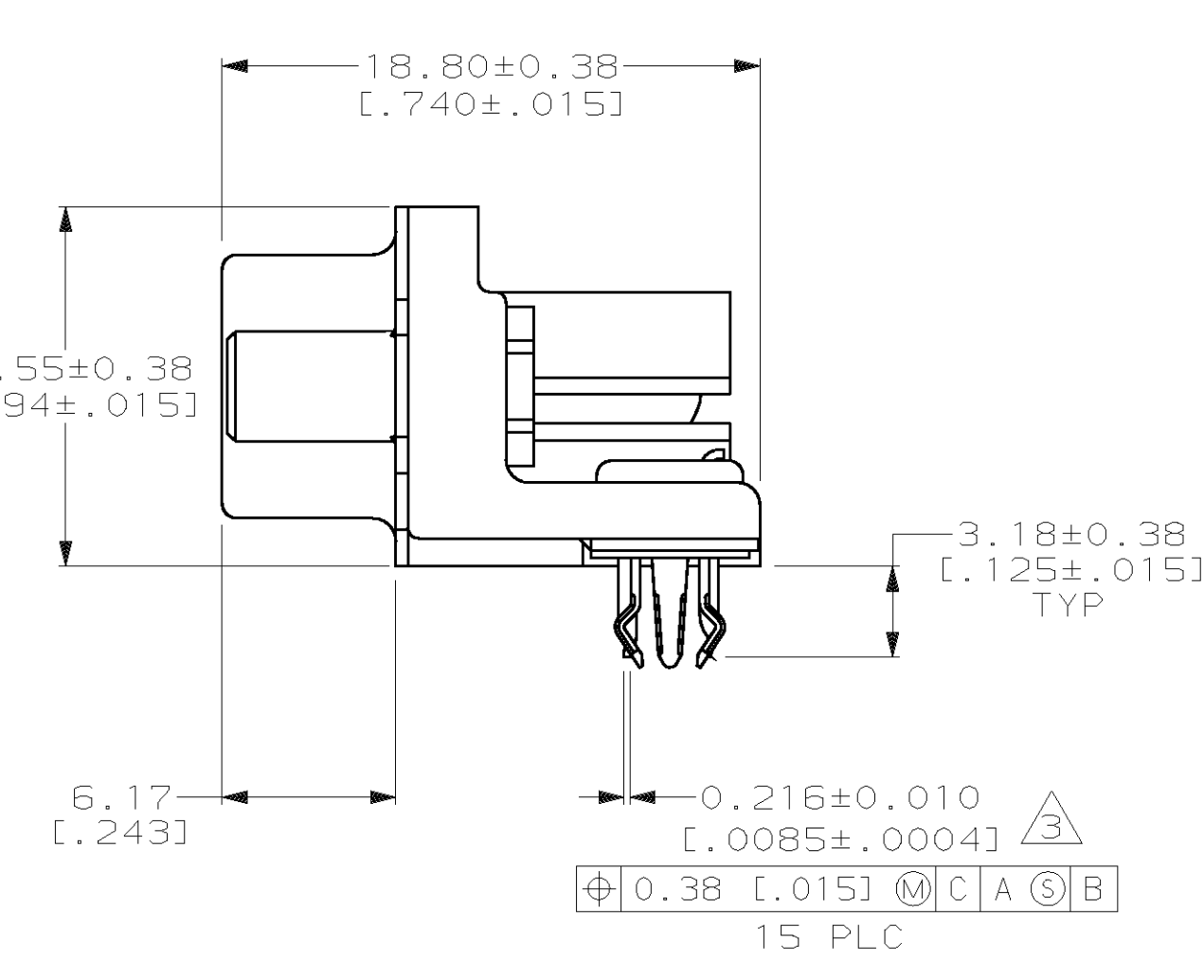
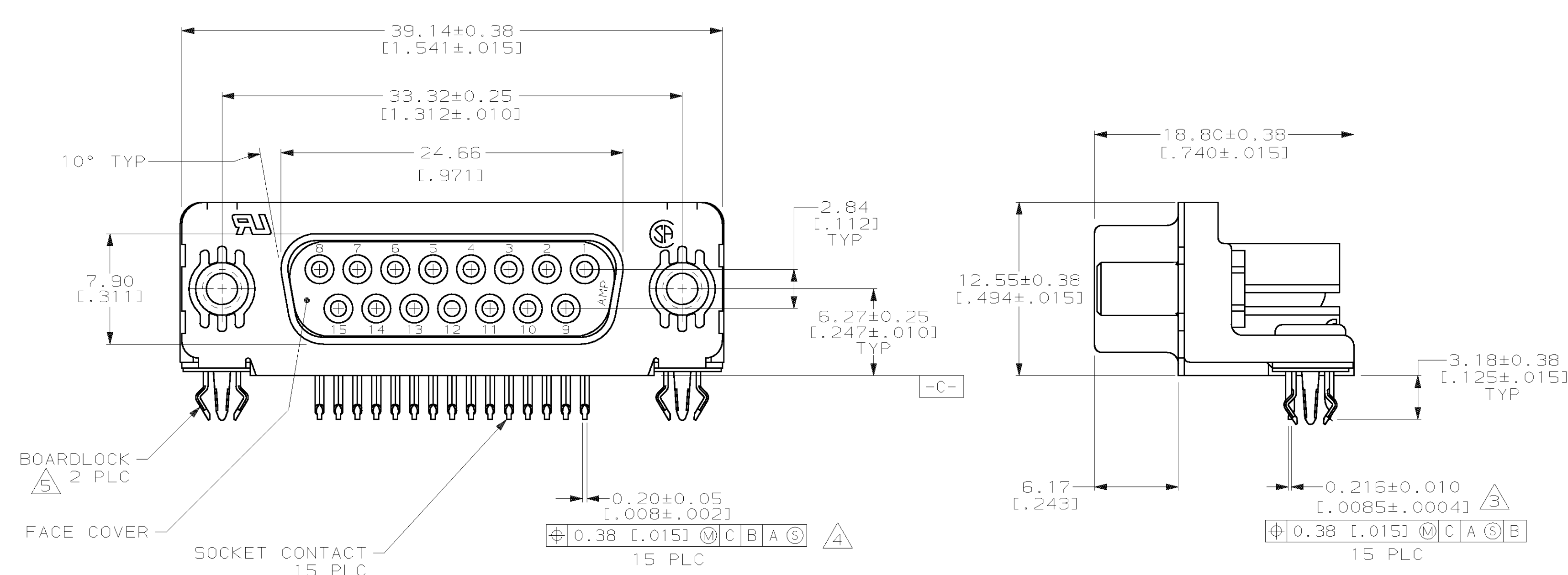


REVISONS		DATE	OWN	APVD
GP	00			
B	REVISED PER EC 0513-0088-02	23APR02	JG	5B



- 1 HOUSING & FACE COVER: NYLON, THERMOPLASTIC, UL 94V0 RATED, BLACK; SHELL: CARBON STEEL PER ASTM A109; SOCKET CONTACTS: PHOSPHOR BRONZE; PER Q0-B-750; EYELETS: BRASS; SCREWLOCKS: ZINC; BOARDLOCKS: COPPER ALLOY.
- 2 SOCKET CONTACTS: GOLD PLATED FOR A LENGTH OF 1.27 [0.050] MIN FROM MATING END, 0.76μm [0.00030] MIN GOLD IN MATED AREA, 2.54μm [0.00100] MIN TIN OR TIN-LEAD FOR A LENGTH OF 3.56 [0.140] MIN FROM OPPOSITE END, BOTH OVER 1.27μm [0.00050] MIN NICKEL. EYELETS: 2.54μm [0.00100] MIN TIN-LEAD OR TIN OVER COPPER FLASH. SHELL: 2.54μm [0.00100] MIN TIN OVER 1.27μm [0.00050] MIN COPPER. SCREWLOCKS: CLEAR CHROMATE. BOARDLOCKS: 3.81μm [0.00150] MIN TIN-LEAD OVER 1.27μm [0.00050] MIN NICKEL.
- 3 DATUMS AND BASIC DIMENSIONS ESTABLISHED BY CUSTOMER.
- 4 POSITION TOLERANCE APPLIES AT CONTACT TIP.
- 5 BOARDLOCKS WILL ACCEPT .062 MAX PRINTED CIRCUIT BOARD THICKNESS.
6. COMPATIBLE WITH TYPICAL HIGH TEMPERATURE SOLDERING APPLICATIONS TO A MAXIMUM OF 225°C FOR A MAXIMUM DURATION OF 90 SECONDS. TEMPERATURE TO BE MEASURED ON CONNECTOR SURFACE.



788799-1
 PART NUMBER

THIS DRAWING IS A CONTROLLED DOCUMENT.		DWN B. CARRO	29 FEB 00	AMP Incorporated Harrisburg, PA 17105-3608
DIMENSIONS: mm (INCHES)		CHK J. KOPPENHEFFER	02 MAR 00	
TOLERANCES UNLESS OTHERWISE SPECIFIED:		APVD J. KOPPENHEFFER	02 MAR 00	NAME RCPT ASSEMBLY, SIZE 2, .318 SERIES, WITH FRONT METAL SHELL, HIGH TEMPERATURE, AMPLIMITE™ HD-20
0 PLC	±	PRODUCT SPEC		108-40025
1 PLC	±	APPLICATION SPEC		114-40010
2 PLC	±0.13 [0.005]	SIZE	A1	00779
3 PLC	±	SCALE	4:1	788799
4 PLC	±	WEIGHT		
ANGLES	±	CUSTOMER DRAWING		
FINISH	±	RESTRICTED TO		

单击下面可查看定价，库存，交付和生命周期等信息

[>>TE Connectivity\(泰科\)](#)