

4

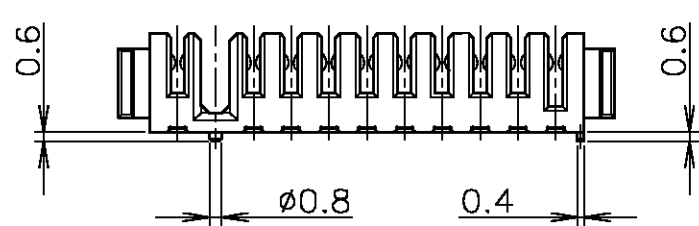
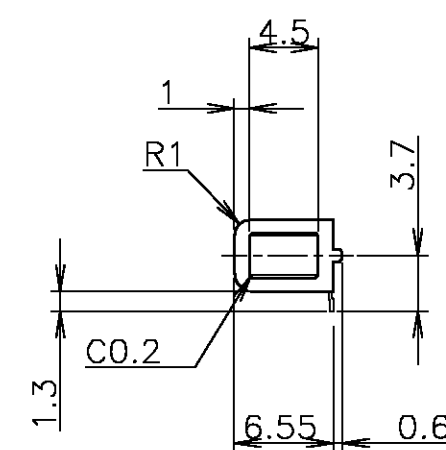
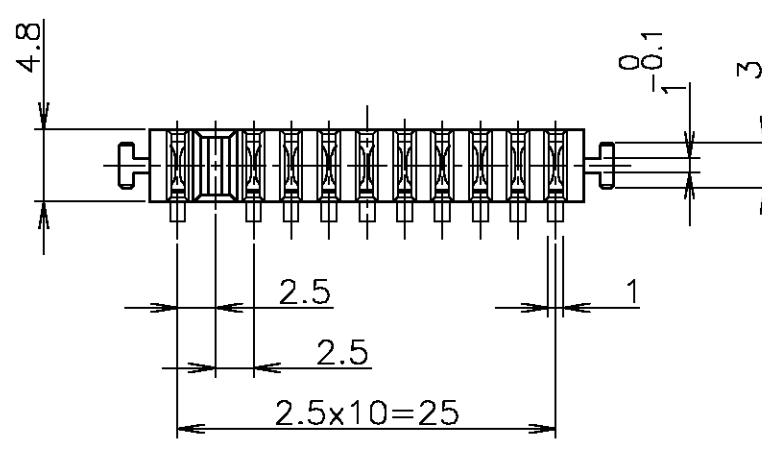
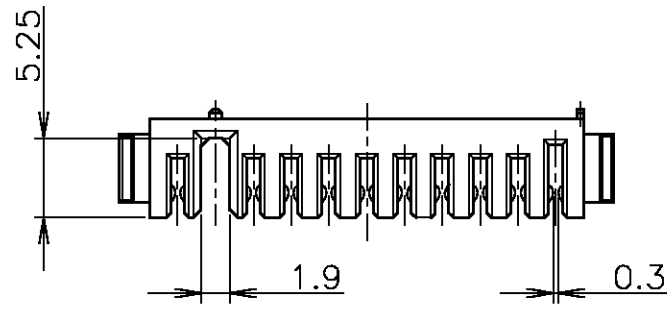
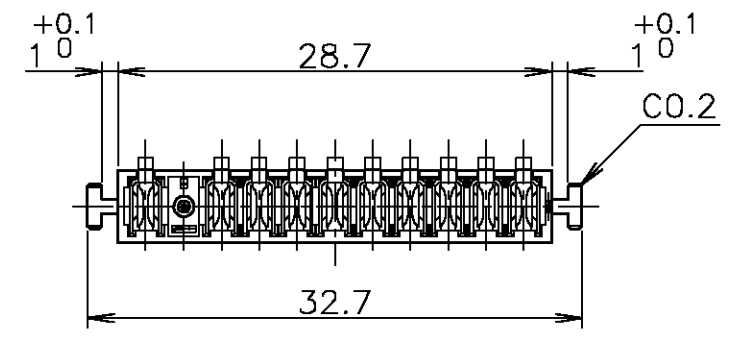
3

2

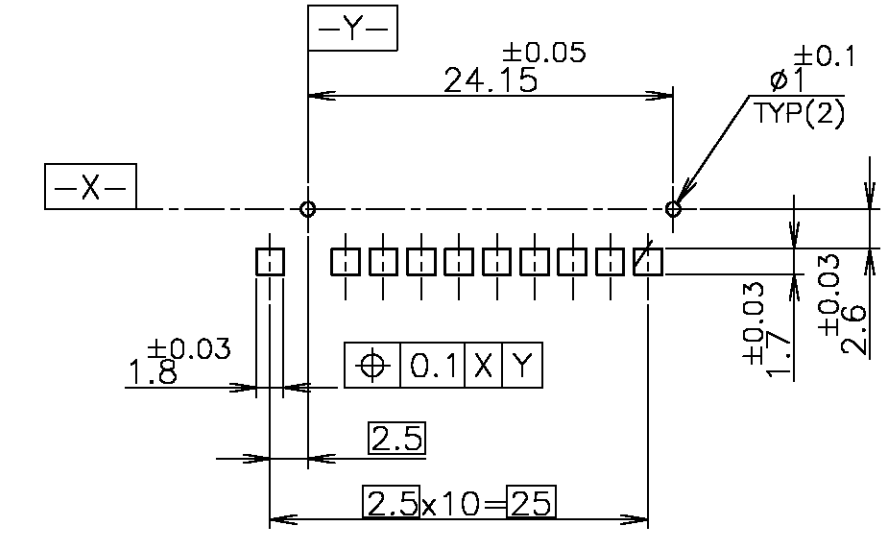
1

THIS DRAWING IS UNPUBLISHED. RELEASED FOR PUBLICATION DEC, 2001.  
 © COPYRIGHT 2001 BY TYCO ELECTRONICS CORPORATION. ALL RIGHTS RESERVED.

LOC	DIST	REVISIONS					
J	/	P	LTR	DESCRIPTION	DATE	DWN	APVD
		B	REVISED	FJB0-0250-04	12MAR04	T.K	K.I



鉛フリー  
LEAD FREE



基板取付参考寸法  
 REFERENCE P.C. BOARD LAYOUT  
 P.C. BOARD THK 0.8~1.2  
 (VIEW FROM CONNECTOR MOUNTING SIDE)

- △ 材料
  - ハウジング: 6Tナイロン、UL94V-0、黒
  - コンタクト: 銅合金
- △ 仕上げ
  - コンタクト: ニッケル下地めっき 2μm以上
  - 接触部 金めっき 0.3μm以上
  - 半田付け部 錫めっき 2~5μm
- △ MATERIAL
  - HOUSING: 6T NYLON, UL94V-0, BLACK
  - CONTACT: COPPER ALLOY
- △ FINISH
  - CONTACT: Ni ALL OVER UNDER PL. 2μm MIN.
  - GOLD PL. 0.3μm MIN. AT CONTACT AREA
  - TIN PL. 2~5μm AT LEAD AREA

1565860-1:AS SHOWN

THIS DRAWING IS A CONTROLLED DOCUMENT.		DWN T.KATANO 13DEC01	WIRE RANGE 抱合電線断面積		INSULATION DIA 被覆外径	
DIMENSIONS: 単位: 筈 MM		CHK K.IKEGAMI 13DEC01	<b>tyco</b> Electronics		Tyco Electronics AMP K.K. Kawasaki, Japan	
TOLERANCES UNLESS OTHERWISE SPECIFIED: 一般公差		APVD T.YAMADA 13DEC01	NAME 名称		2.5mm PITCH BATTERY CONNECTOR RECEPTACLE ASSEMBLY (10P)	
0 PLC ± 0.3		PRODUCT SPEC 製品規格 108-5775	SIZE		CAGE CODE	DRAWING NO 番号
1 PLC ± 0.3		APPLICATION SPEC 取付適用規格	A3		00779	C-1565860
2 PLC ± 0.3		WEIGHT 1.1g	RESTRICTED TO			
3 PLC ± 0.3		CUSTOMER DRAWING	SCALE 尺度		2:1	
4 PLC ± 0.3			SHEET		1 OF 1	
ANGLES ± 3'			REV		B	
FINISH 仕上						

单击下面可查看定价，库存，交付和生命周期等信息

[>>TE Connectivity\(泰科\)](#)