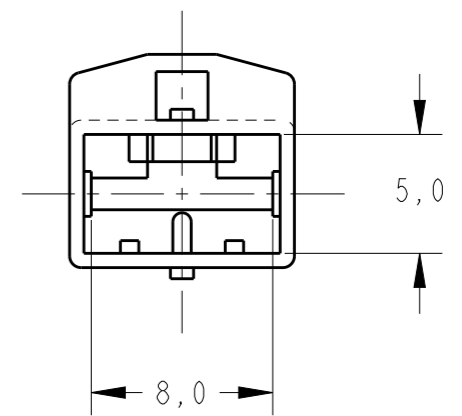
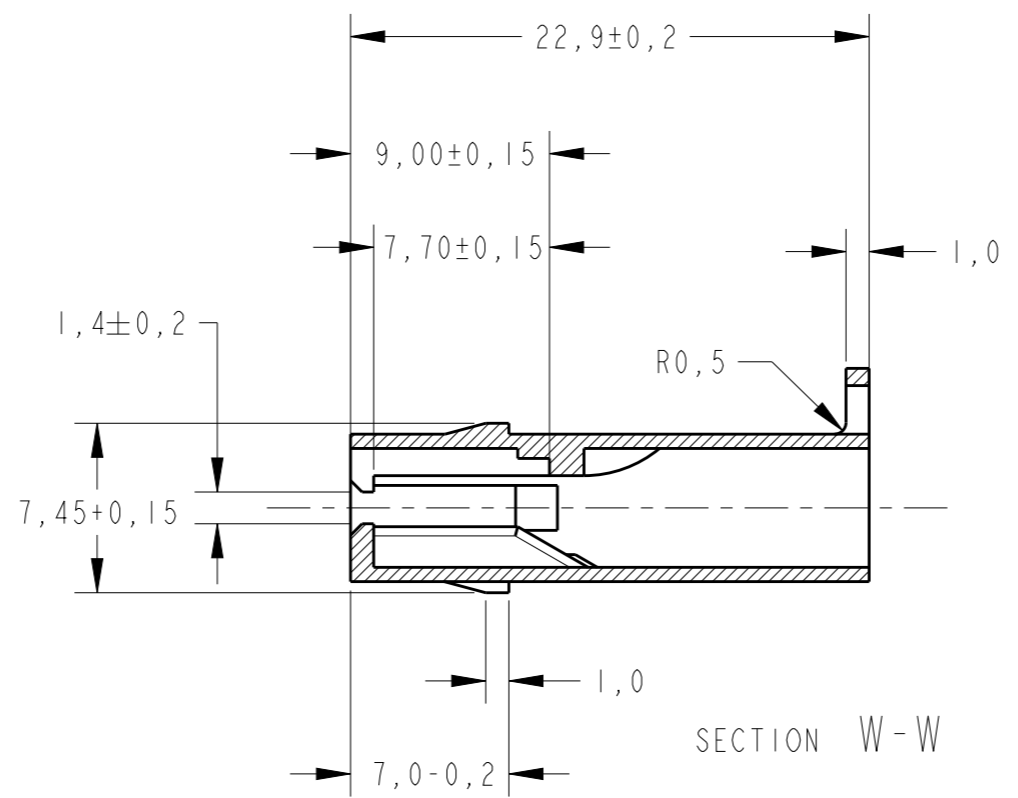
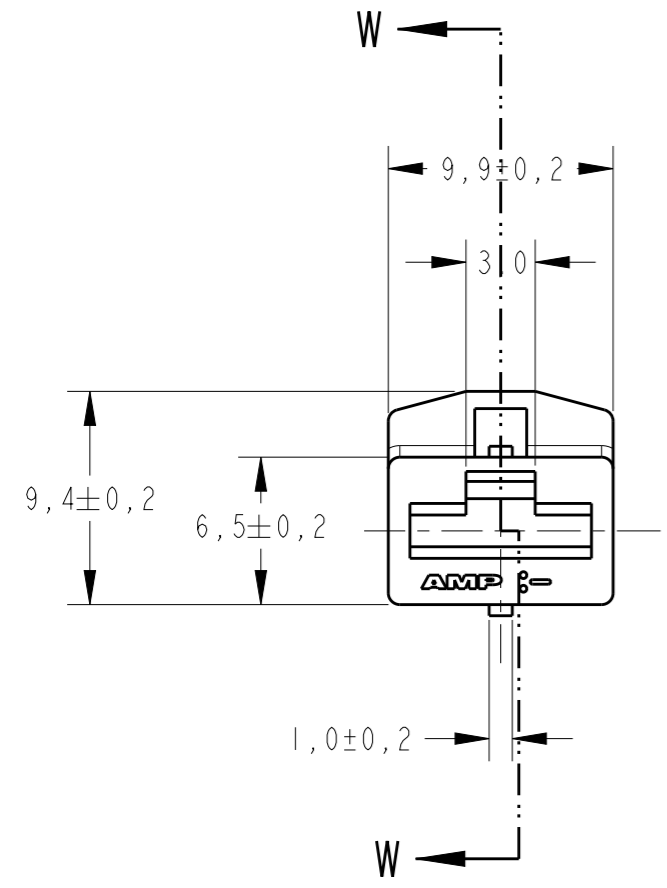


THIS DRAWING IS UNPUBLISHED. RELEASED FOR PUBLICATION
 © COPYRIGHT 19 BY - ALL RIGHTS RESERVED.

creo
 Creo Parametric 2.0
DO NOT REVISE EXCEPT BY CAD

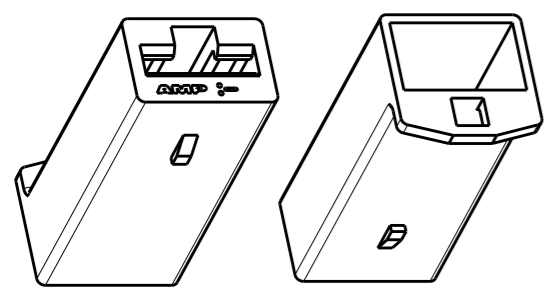
REVISIONS					
P	LTR	DESCRIPTION	DATE	DWN	APVD
	B2	REVISED BY ECO 16-006714	11MAY2016	HC	WLS

GRAVAÇÃO MARKING
LOGOTIPO AMP AMP LOGO
CÓDIGO PAÍS PRODUTOR MANUFACTURER COUNTRY CODE
NÚMERO CAVIDADE CAVITY NUMBER



1 - INTERCAMBIÁVEL COM PN 180905
 - INTERCHANGEABLE WITH PN 180905

OBSOLETE	LARANJA/ORANGE			9
OBSOLETE	VIOLETA/VIOLET			8
OBSOLETE	CINZA/GRAY			7
OBSOLETE	MARROM/BROWN			6
OBSOLETE	PRETO/BLACK			5
OBSOLETE	AMARELO/YELLOW			4
OBSOLETE	AZUL/BLUE			3
OBSOLETE	VERDE/GREEN			2
—	VERMELHO/RED			-1
—	NATURAL			-0
RAW MAT'L NO		FINISH	MATERIAL	PART NUMBER
			P. A 6.6	880305 -0



PERSPECTIVE VIEW
SCALE 2:1

THIS DRAWING IS A CONTROLLED DOCUMENT.		DWN N.C. LAPRESA 09DEC99	TE Connectivity	
		CHK P.L. FARIA 09DEC99		
		APVD F. ALEXANDRONI 09DEC99	NAME	
		PRODUCT SPEC	HOUSING, SINGLE CIRCUIT .250S.RCPT	
		APPLICATION SPEC		
		WEIGHT	SIZE A3	RESTRICTED TO
MATERIAL SEE TABLE		FINISH SEE TABLE	CAGE CODE -	DRAWING NO C-880305
		Customer Drawing	SCALE 3:1	SHEET 1 OF 1
				REV B2

单击下面可查看定价，库存，交付和生命周期等信息

[>>TE Connectivity\(泰科\)](#)