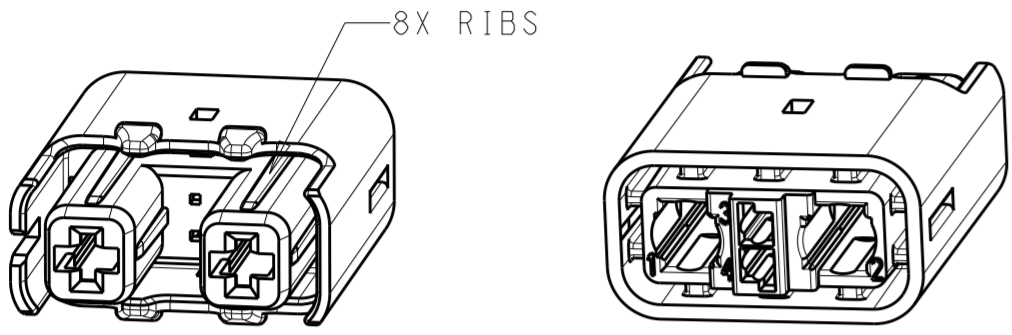
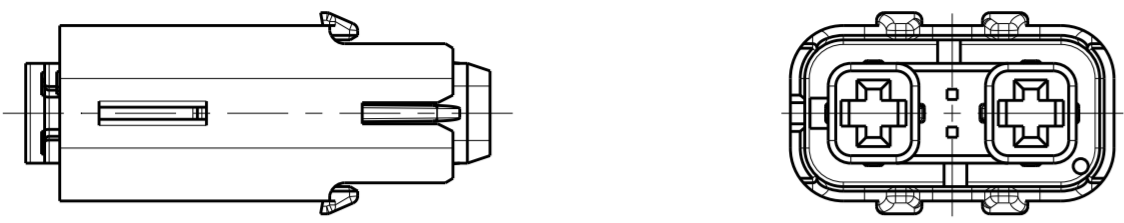
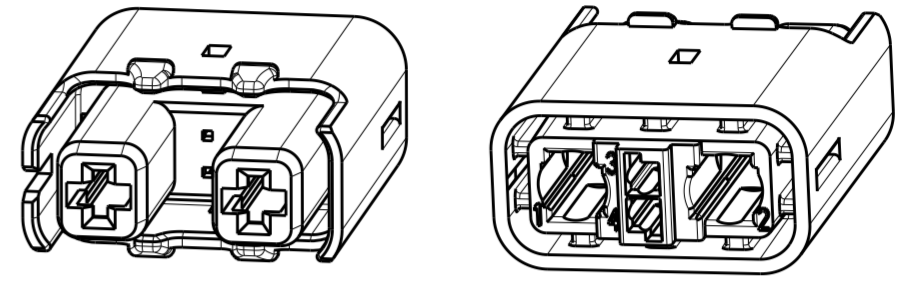
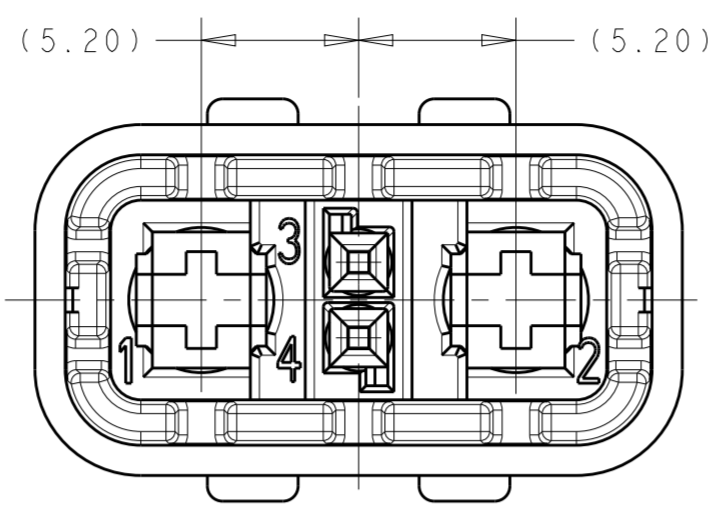


THIS DRAWING IS UNPUBLISHED. RELEASED FOR PUBLICATION 20
 © COPYRIGHT 20 BY TYCO ELECTRONICS CORPORATION ALL RIGHTS RESERVED.

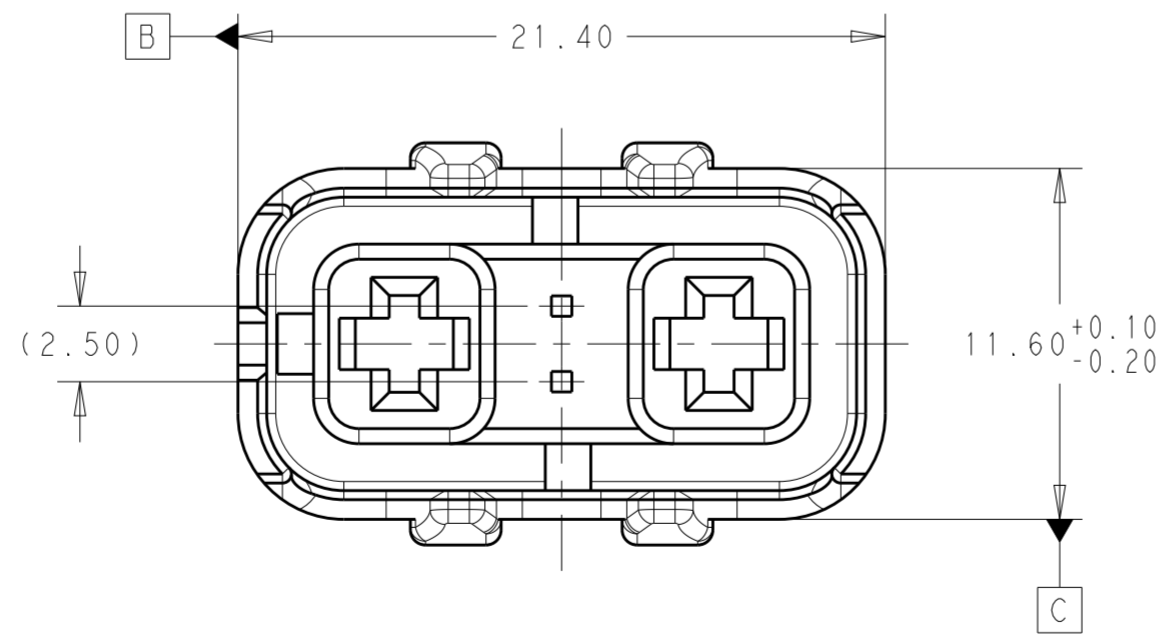
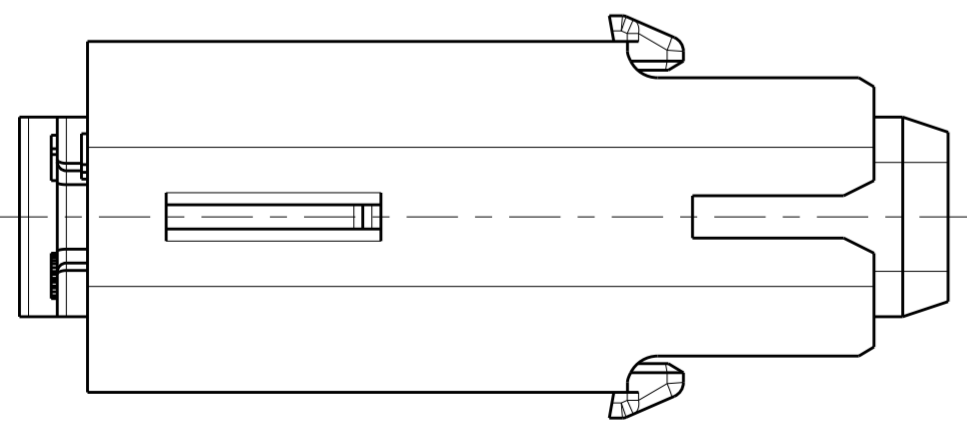
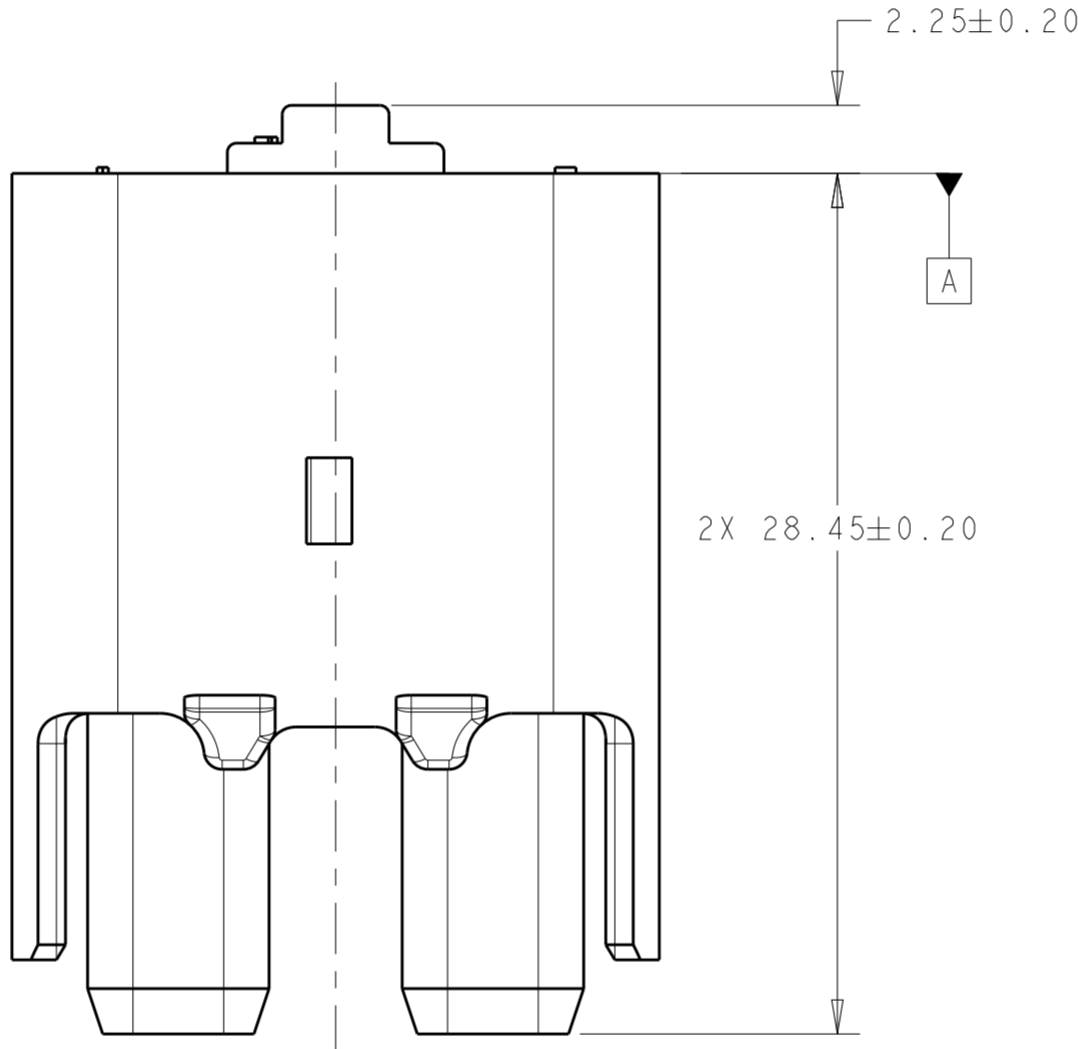
LOC	DIST	REVISIONS			
P	LTR	DESCRIPTION	DATE	DWN	APVD
	A	ECO-13-017852	13NOV2013	DR	DR
	A1	ECO-14-000545	13JAN2014	DR	DR
	A2	ECO-14-001314	27JAN2014	DR	DR



1-2103387-2
 SAME AS 2103387-2 EXCEPT AS SHOWN
 SCALE 2:1



SCALE 2:1



- 1 MATERIAL:
TYPE: PA66 33%GF
- 2 PRELIMINARY PART - NOT RELEASED FOR PRODUCTION
- 3 THIS PART HAS NOT COMPLETED VALIDATION TESTING

2103387-2 SHOWN

3.94 g	ORANGE	INNER HOUSING, PASS THRU HVIL, VIB	5	1-2103387-2
3.94 g	BLACK	INNER HOUSING, PASS THRU HVIL	A	2103387-2
WEIGHT	COLOR	DESCRIPTION	REV	PART NO

THIS DRAWING IS A CONTROLLED DOCUMENT.		DWN D. RHEIN 08JAN2013	TE Connectivity	
DIMENSIONS: mm		CHK D. RHEIN 08JAN2013		
		APVD A. GUANCO 08JAN2013		
TOLERANCES UNLESS OTHERWISE SPECIFIED:		NAME INNER HOUSING, PLUG HVA280-2PHM		
0 PLC ±		PRODUCT SPEC		
1 PLC ±0.2		APPLICATION SPEC		
2 PLC ±0.10		SIZE CAGE CODE DRAWING NO		
3 PLC ±		WEIGHT SEE TABLE		
4 PLC ±		A200779 C-2103387		
ANGLES ±1°		RESTRICTED TO		
FINISH		SCALE 4:1 SHEET 1 OF 1 REV A2		

单击下面可查看定价，库存，交付和生命周期等信息

[>>TE Connectivity\(泰科\)](#)