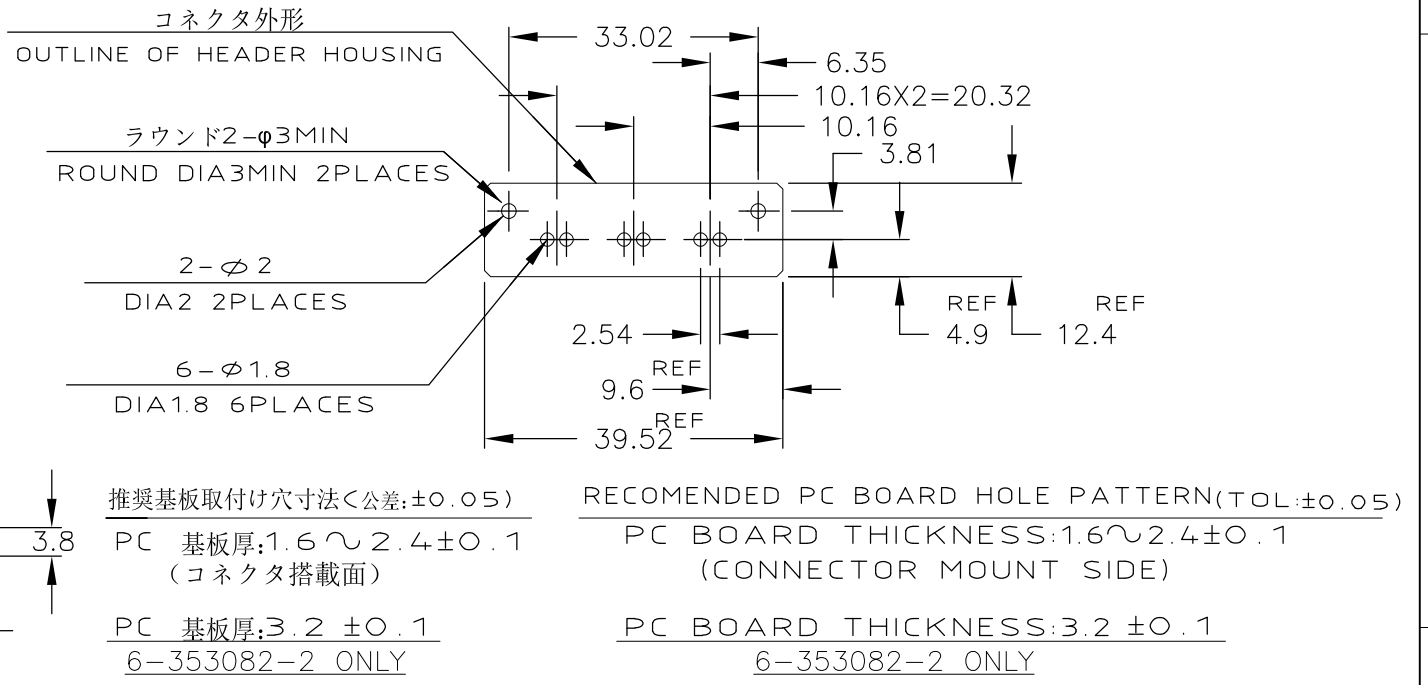
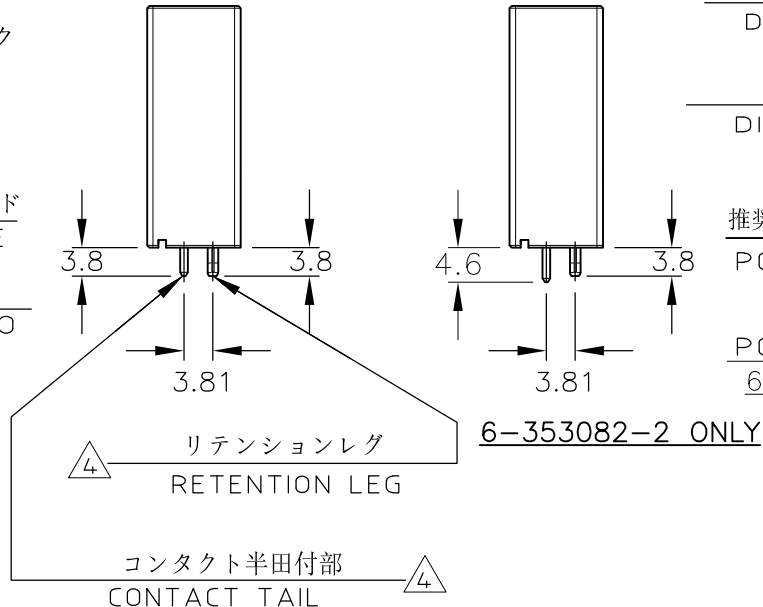
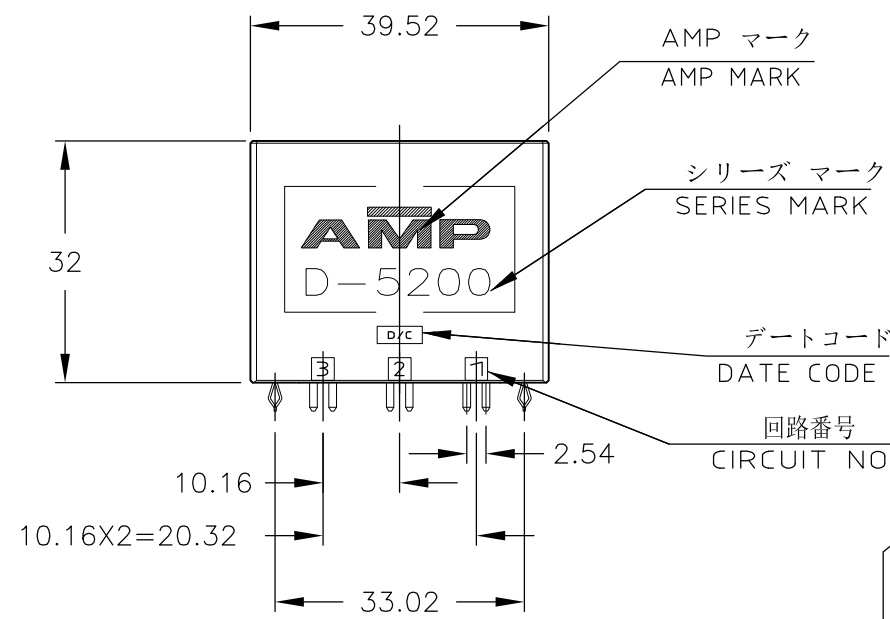
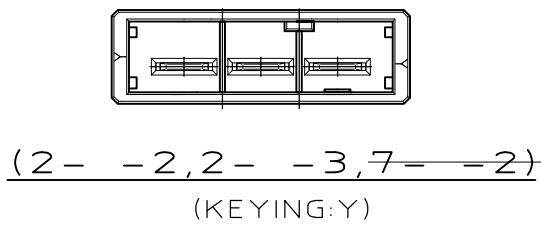
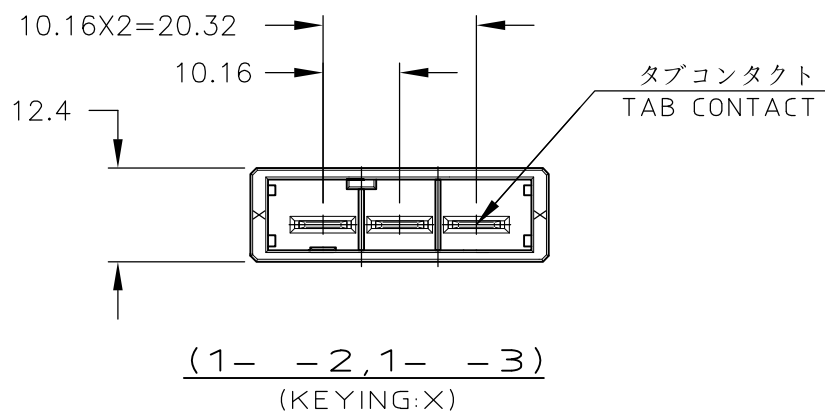


THIS DRAWING IS UNPUBLISHED. RELEASED FOR PUBLICATION
 © COPYRIGHT 1996 By Tyco Electronics Japan G.K. ALL RIGHTS RESERVED.

LOC		DIST		REVISIONS			
P	LTR	DESCRIPTION		DATE	DWN	APVD	
	G	REVISED		23OCT2012	H.M	N.Y	



- 注記
- 材料 ハウジング:ガラス入り熱可塑性ポリエステル樹脂(94V-0)
タブコンタクト:銅合金
リテンションレグ:黄銅
 - めっき コンタクト全面Ni下地
接触部 0.38μm MIN金めっき
 - めっき コンタクト全面Ni下地
接触部 0.76μm MIN金めっき
 - めっき リテンションレグとコンタクト半田付部
: ニッケル下地の上にスズめっき

- NOTES
- MATERIAL:HOUSING:GLASS FILED THERMO PLASTIC ,POLYESTER(94V-0)
TAB CONTACT:COPPER ALLOY
RETENTION LEG:BRASS
 - FINISH(CONTACT AREA):0.38μmMIN GOLD PLATING OVER Ni PLATING
 - FINISH(CONTACT AREA):0.76μmMIN GOLD PLATING OVER Ni PLATING
 - FINISH(RETENTION LEG): TIN PLATED (CONTACT TAIL) OVER NICKEL

KEY TYPE	コンタクトのめっき (FINISH)	色 COLOR	製品番号 (PART NO.)	
Y	△4 △2	NATURAL	-7-353082-2	OBSOLETE
	△4 △3	BLACK	2-353082-3	
	△4 △2	BLACK	2-353082-2	
X	△4 △3	BLACK	1-353082-3	
	△4 △2	BLACK	6-353082-2	
	△4 △2	BLACK	1-353082-2	

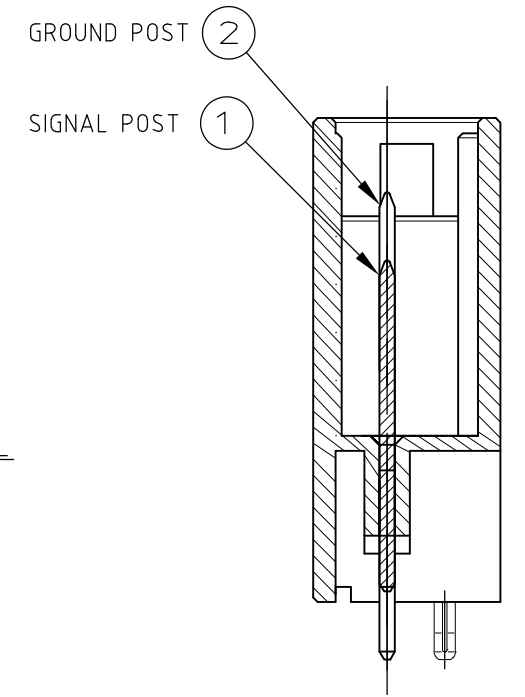
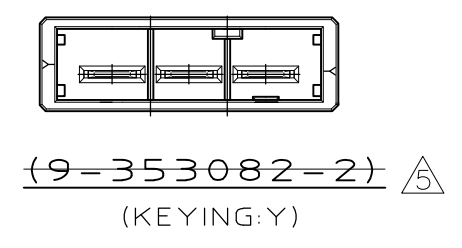
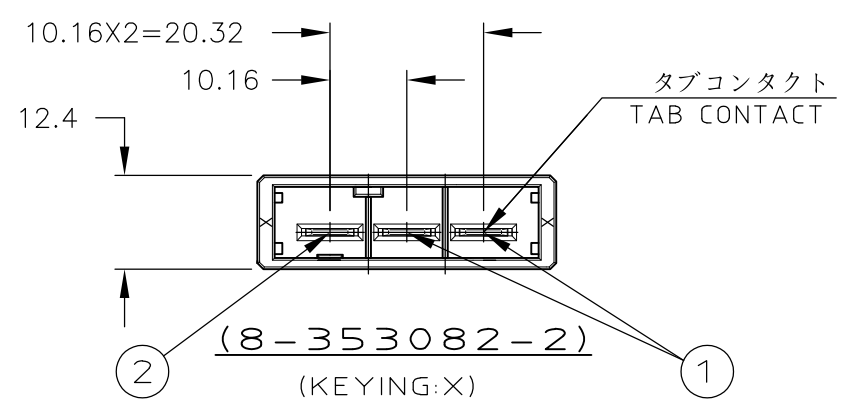
THIS DRAWING IS A CONTROLLED DOCUMENT.

DIMENSIONS: mm	TOLERANCES UNLESS OTHERWISE SPECIFIED: 0-PLC ± 10 ± 0.3 1-PLC ± 30 >10 ± 0.35 2-PLC ± 100 >30 ± 0.4 3-PLC ± 4-PLC ± ANGLES ± 3'	DWN K.IKEDA 04JUL1996	TE Connectivity
MATERIAL SEE NOTE	FINISH SEE NOTE	CHK Y.ISHIKAWA 04JUL1996	
CUSTOMER DRAWING		APVD F3 04JUL1996	
NAME SINGLE ROW HEADER ASSY 3P V-TYPE DYNAMIC D-5200S		PRODUCT SPEC 108-5453	RESTRICTED TO
SCALE 1:1		APPLICATION SPEC 114-5206	SIZE A3
SHEET 1 OF 2		WEIGHT	CAGE CODE 00779
REV G		DRAWING NO C-353082	DRAWING NO

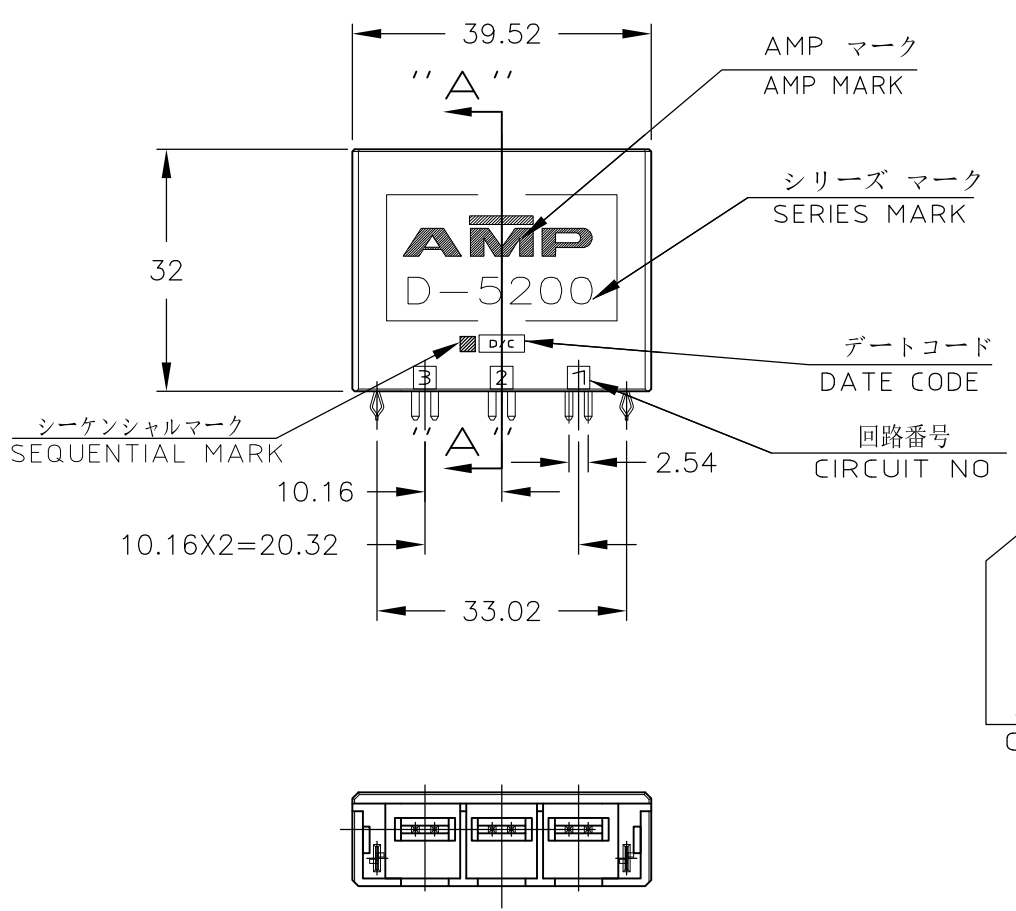
THIS DRAWING IS UNPUBLISHED. RELEASED FOR PUBLICATION
 © COPYRIGHT 1996 By Tyco Electronics Japan G.K. ALL RIGHTS RESERVED.

LOC	DIST	REVISIONS			
P	LTR	DESCRIPTION	DATE	DWN	APVD
-	-	SEE SHEET 1	-	-	-

8,9-353082-2;AS SHOWN
 SEQUENTIAL TYPE

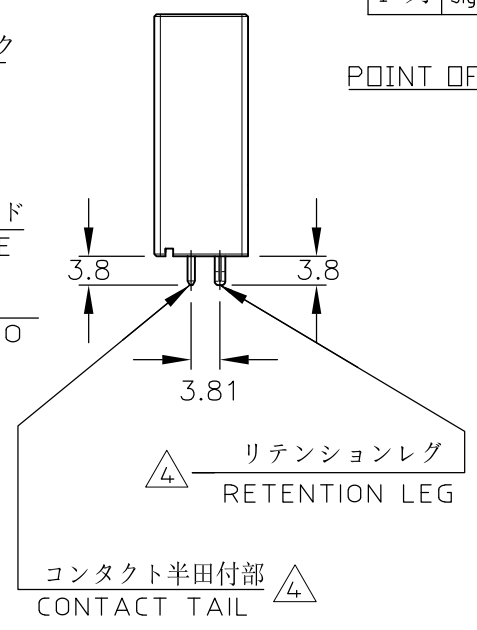


SECT "A"-"A"
 (SCALE:2-1)



		回路番号		
		1	2	3
1 列	①	①	①	②
		Signal	Signal	Ground

POINT OF SEQUENTIAL



NOTES

- MATERIAL:HOUSING:GLASS FILED THERMO PLASTIC ,POLYESTER(94V-0)
 TAB CONTACT:COPPER ALLOY
 RETENTION LEG:BRASS
- FINISH(CONTACT AREA):0.38μmMIN GOLD PLATING OVER Ni PLATING
- FINISH(CONTACT AREA):0.76μmMIN GOLD PLATING OVER Ni PLATING
- FINISH(RETENTION LEG): TIN PLATED (CONTACT TAIL) OVER NICKEL

注記

- 材料 ハウジングガラス入り熱可塑性
 ポリエステル樹脂(94V-0)
 タブ コンタクト: 銅合金
 リテンション レグ: 黄銅
- めっき コンタクト全面Ni下地
 接触部 0.38μm MIN金めっき
- めっき コンタクト全面Ni下地
 接触部 0.76μm MIN金めっき
- めっき リテンションレグとコンタクト半田付部
 : ニッケル下地の上にスズめっき
- OBSOLETE PARTS:OBSOLETE CIS STREAMLINING PER D.RENAUD/D.SINISI

Y				
X				
KEY TYPE	コンタクトのめっき (FINISH)	色 COLOR	製品番号 (PART NO.)	
	④ ②	BLACK	9-353082-2	OBSOLETE ⑤
	④ ②	BLACK	8-353082-2	

THIS DRAWING IS A CONTROLLED DOCUMENT.

DIMENSIONS: mm	TOLERANCES UNLESS OTHERWISE SPECIFIED: 0 PLC ± 10 ± 0.3 1 PLC ± 30 > 10 ± 0.35 2 PLC ± 100 > 30 ± 0.4 3 PLC ± 4 PLC ANGLES ± 3°	DWN K.IKEDA 04JUL1996 CHK Y.ISHIKAWA 04JUL1996 APVD F3 04JUL1996	TE Connectivity		
MATERIAL SEE NOTE	FINISH SEE NOTE	PRODUCT SPEC 108-5453 APPLICATION SPEC 114-5206	NAME SINGLE ROW HEADER ASSY 3P V-TYPE DYNAMIC D-5200S		
CUSTOMER DRAWING		WEIGHT	SIZE A3	CAGE CODE 00779	DRAWING NO C-353082
		SCALE 1:1	SHEET 2 OF 2	REV G	RESTRICTED TO -

单击下面可查看定价，库存，交付和生命周期等信息

[>>TE Connectivity\(泰科\)](#)