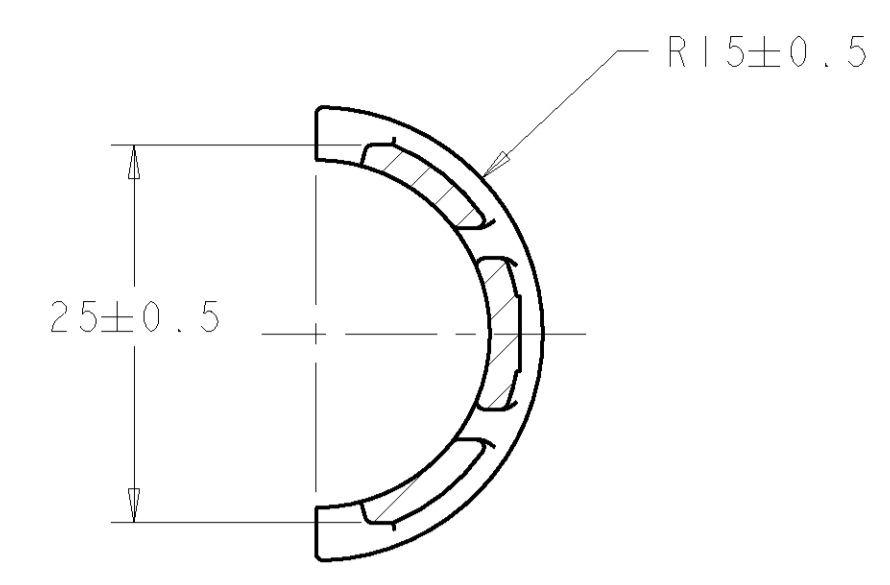
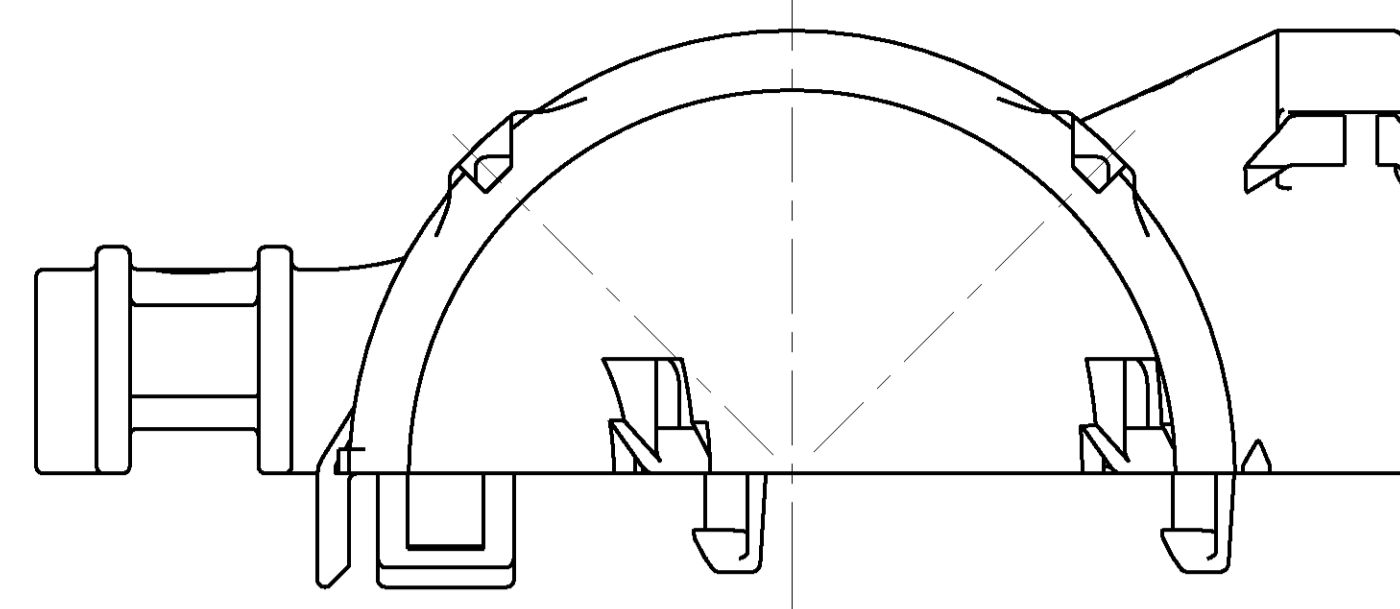
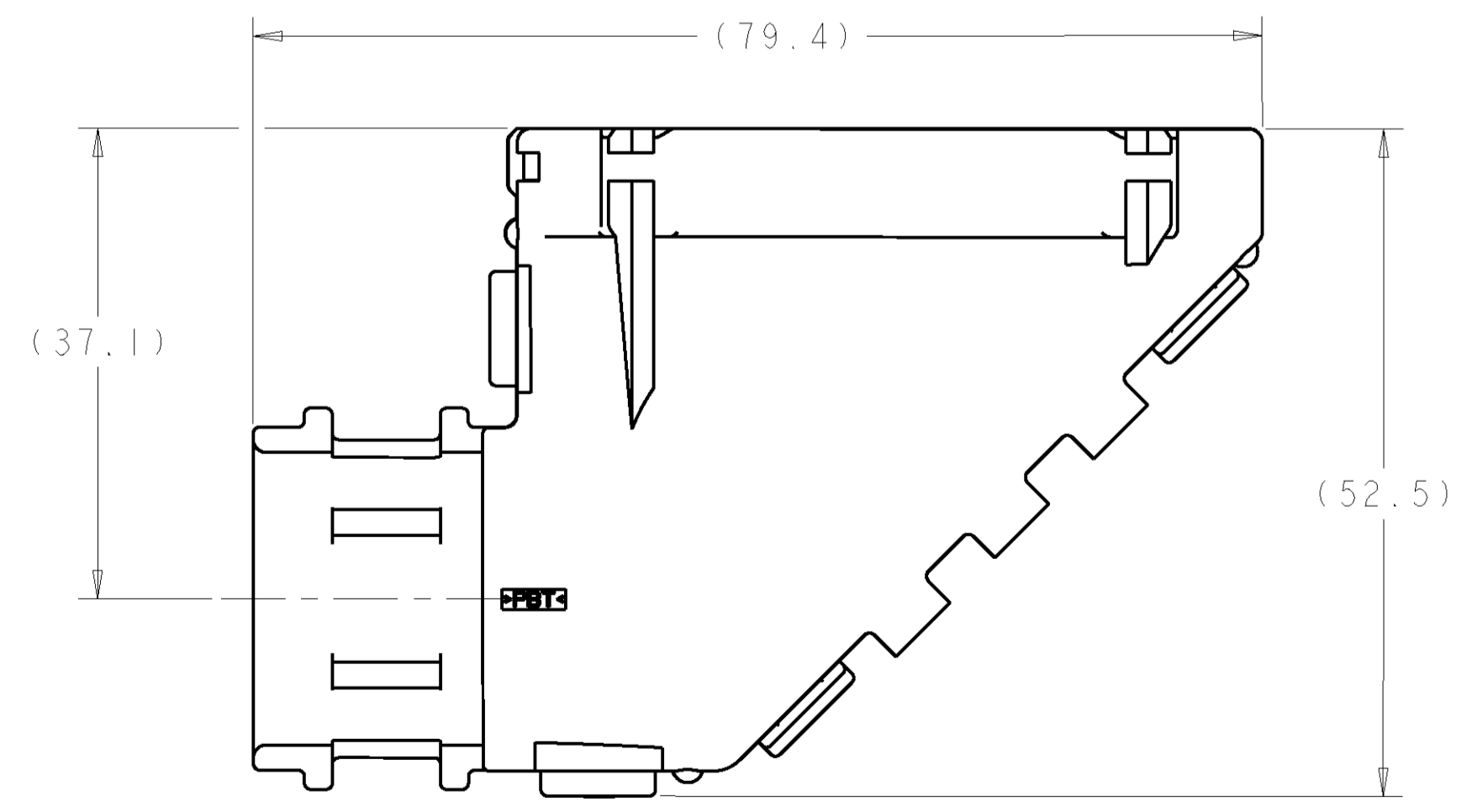
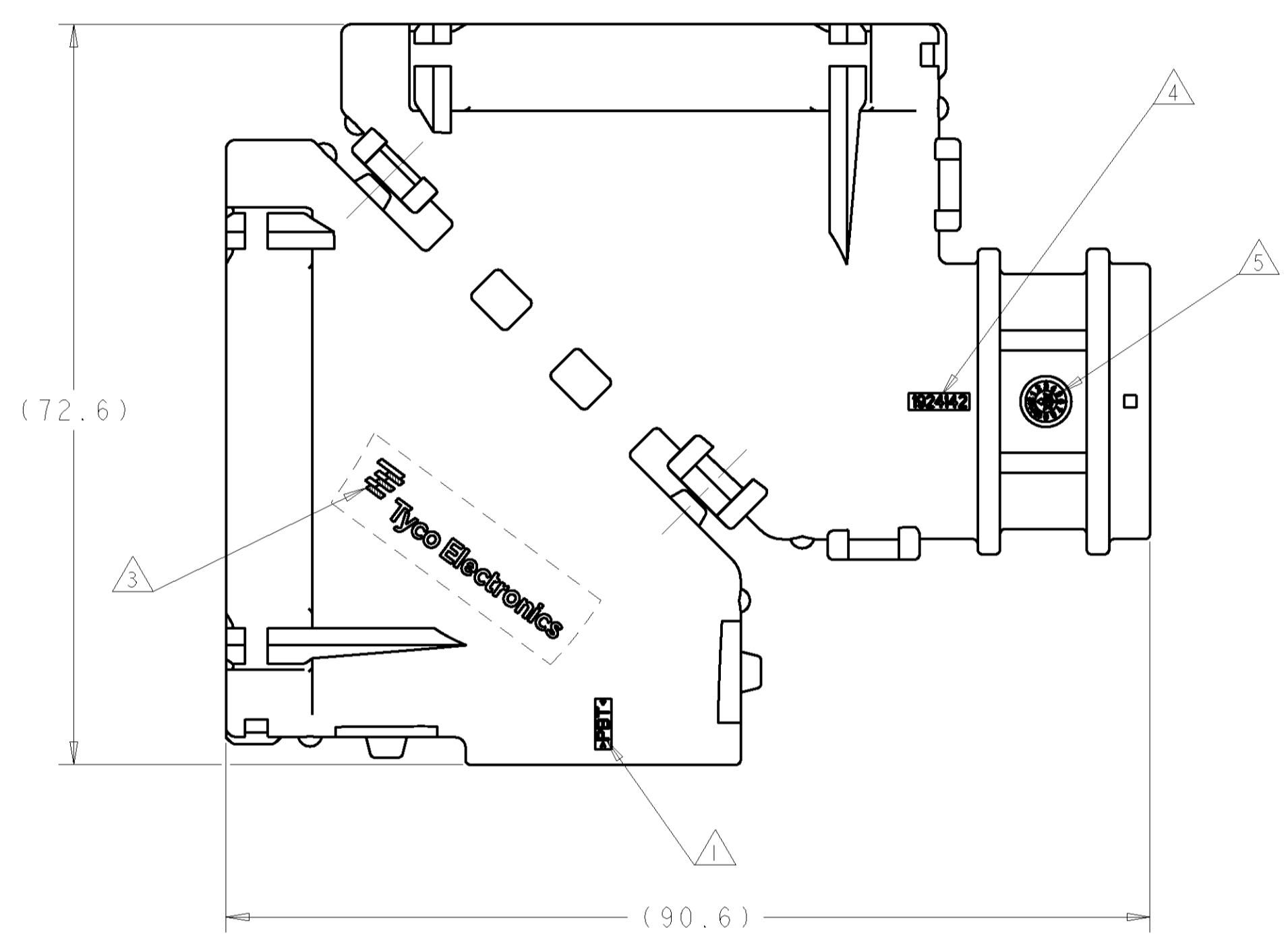
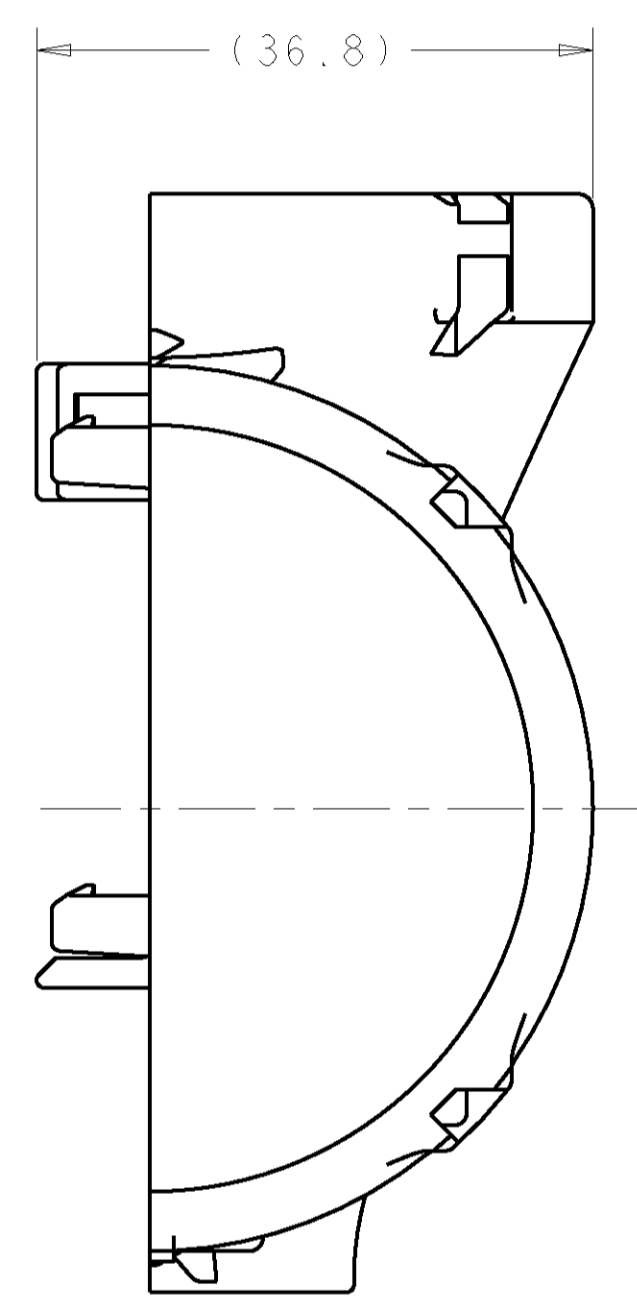
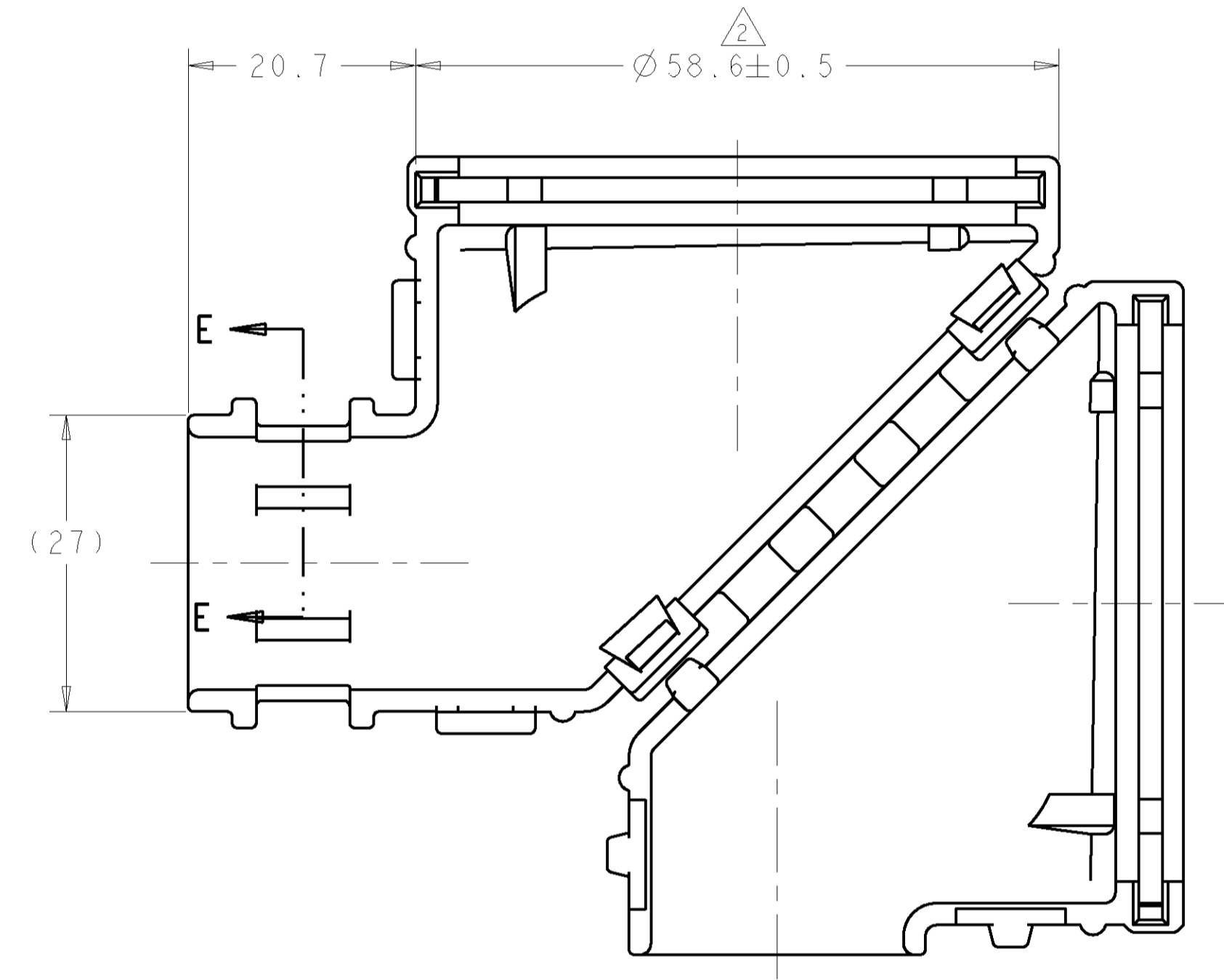


LOC		DIST		REVISIONS			
F	LTR	DESCRIPTION	DATE	DWN	APVD		
A		RELEASED PER ECR 07-014285	15JUN2007	DLD	SC		

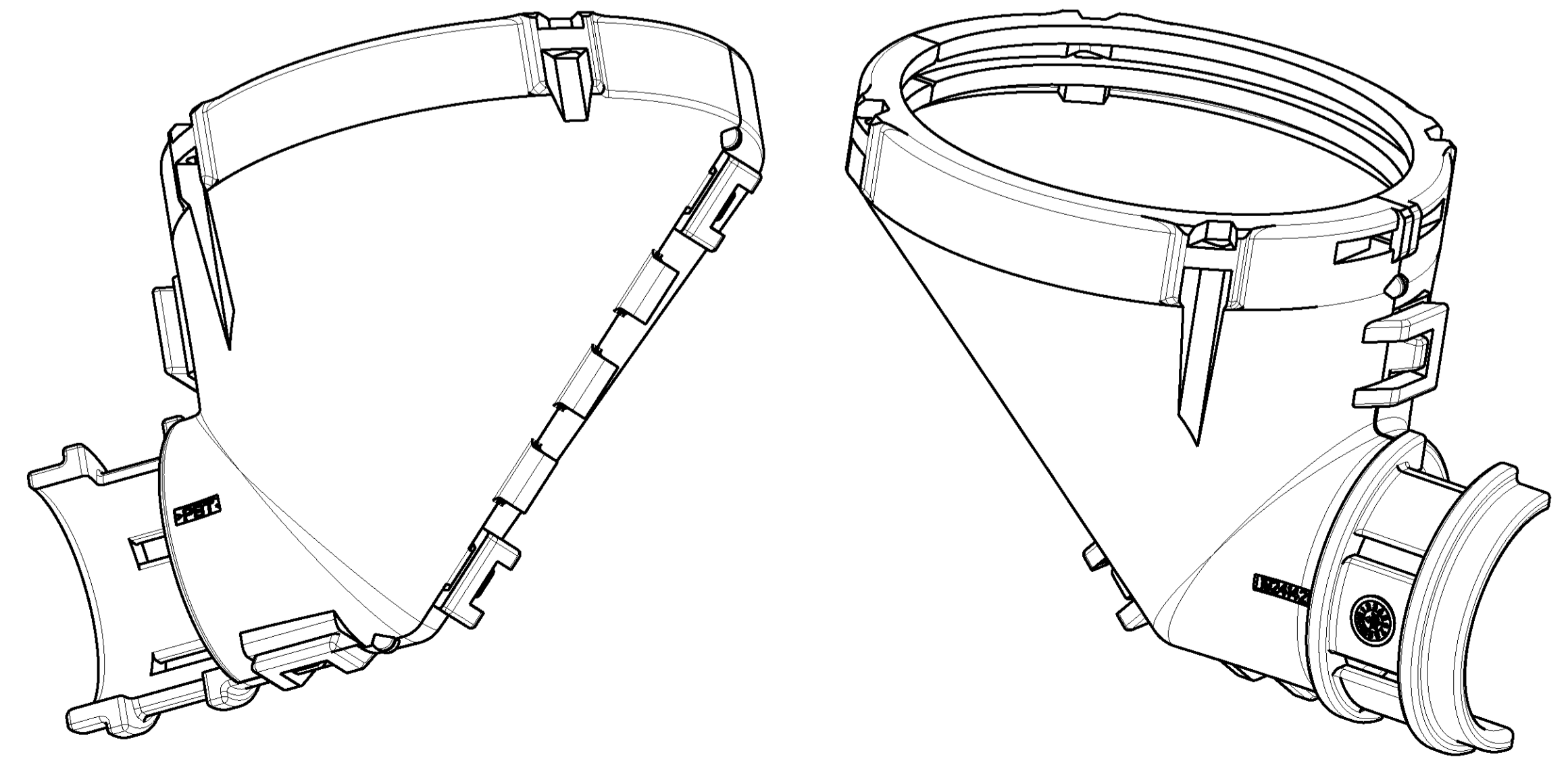


SECTION E-E

- 1 MATERIAL IDENTIFICATION TO BE LOCATED APPROXIMATELY AS SHOWN.
- 2 WARPAGE UP TO ±0.8mm.
- 3 TYCO ELECTRONICS LOGO LOCATED APPROXIMATELY AS SHOWN.
- 4 MOLD TYCO P/N, LOCATED APPROXIMATELY AS SHOWN.
- 5 MOLD DATE CODE USING MONTH AND YEAR CLOCK RECESSED 0.20 MAX. LOCATED APPROXIMATELY AS SHOWN.



FOLDED VIEW



1924142-1
PART NUMBER

<small>THE INFORMATION CONTAINED HEREIN IS UNCLASSIFIED EXCEPT WHERE SHOWN OTHERWISE. IT IS SUBJECT TO CHANGE WITHOUT NOTICE AND WITHOUT LIABILITY TO THE ORIGINAL AUTHOR. THIS DRAWING IS UNPUBLISHED. RELEASED FOR PUBLICATION. ALL RIGHTS RESERVED.</small>		DWN: R VESTAL 08NOV2006 CHK: S CROSS 08NOV2006 APVD: S CROSS 08NOV2006	Tyco Electronics Harrisburg, PA 17105-3608
DIMENSIONS: mm TOLERANCES UNLESS OTHERWISE SPECIFIED: 0 PLC ±0.3 1 PLC ±0.3 2 PLC ±0.20 3 PLC ± 4 PLC ± ANGLES ±0°		PRODUCT SPEC APPLICATION SPEC WEIGHT CUSTOMER DRAWING	NAME: WIRE COVER, 90 DEGREE, 31 POSITION, CONNECTOR SIZE: A 00779 C=1924142 SCALE: 2:1 SHEET 1 OF 1 REV A

单击下面可查看定价，库存，交付和生命周期等信息

[>>TE Connectivity\(泰科\)](#)