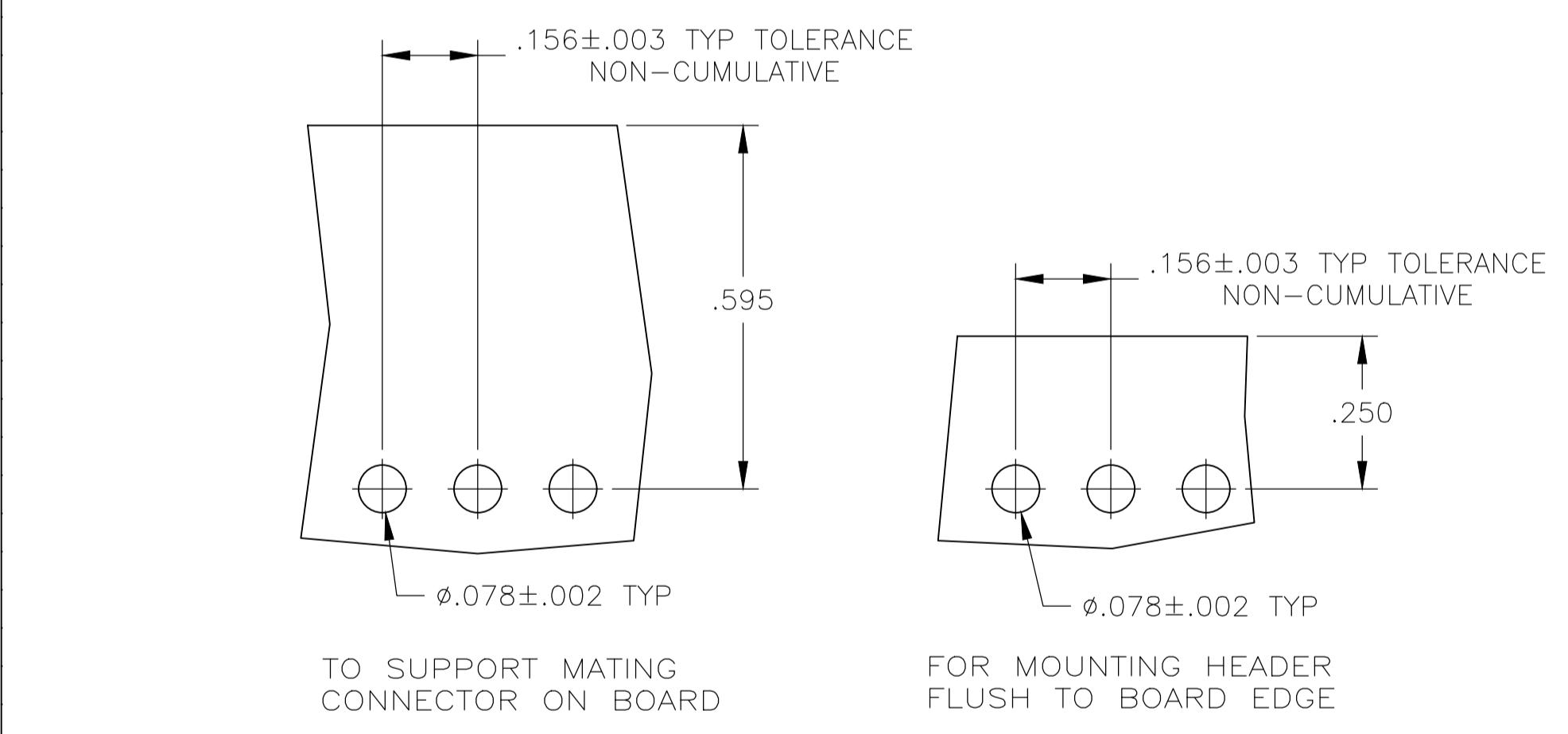
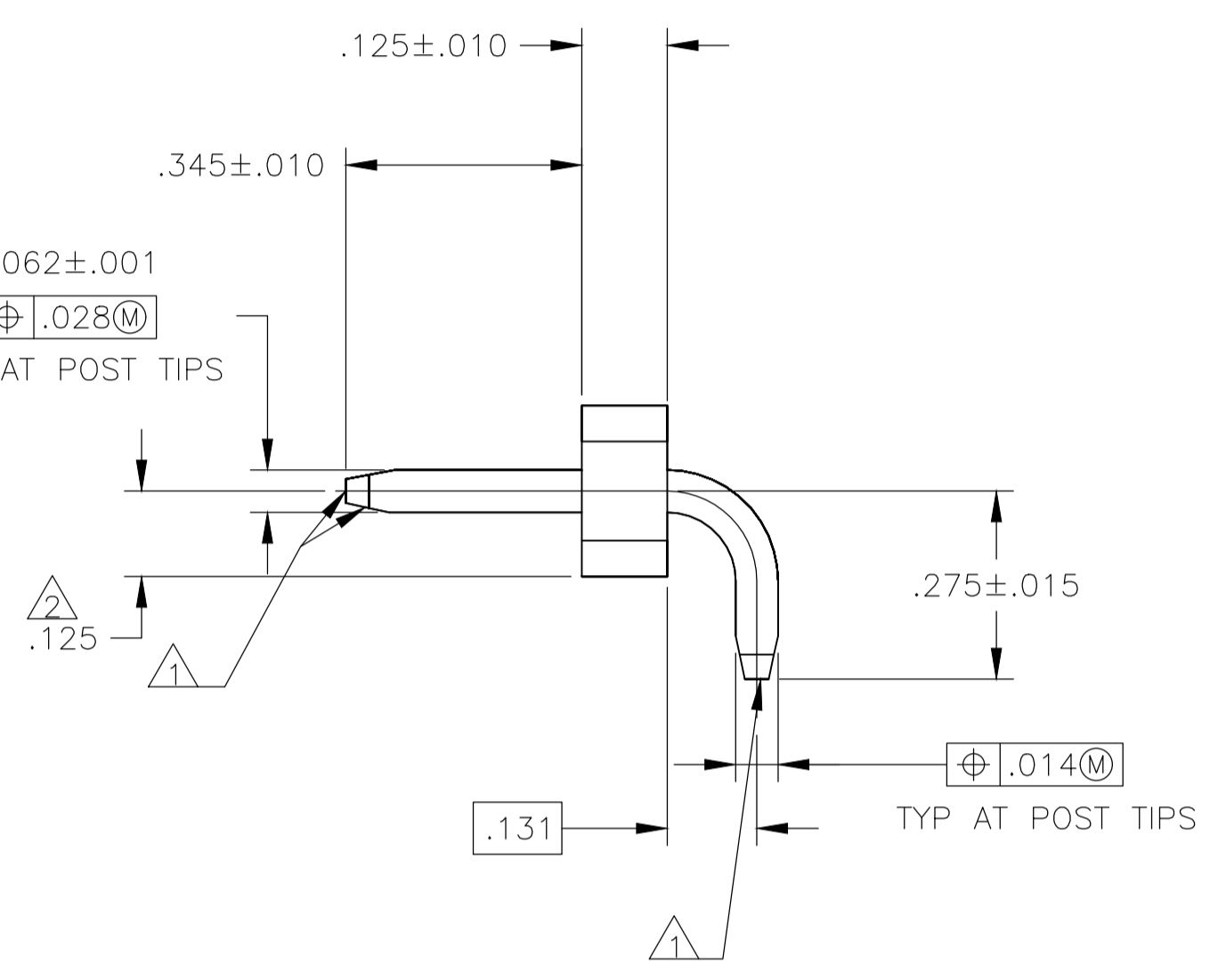
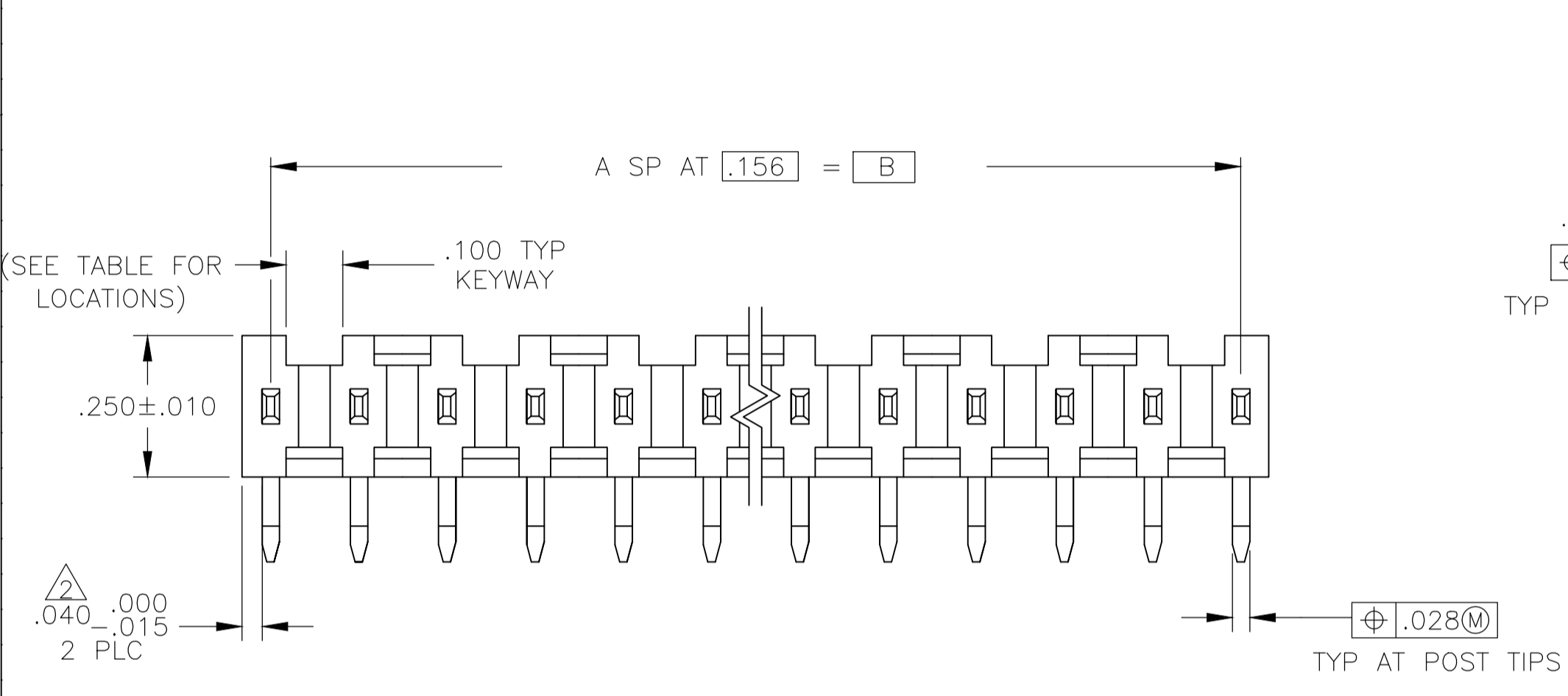
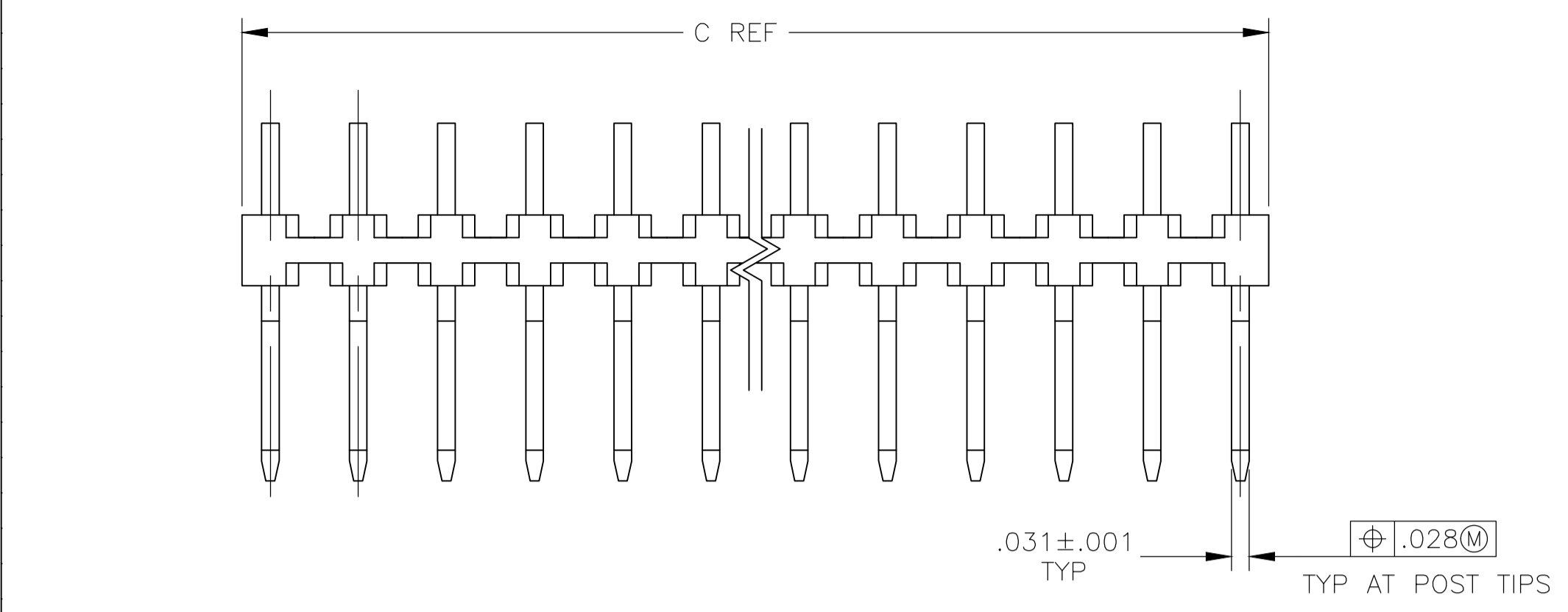
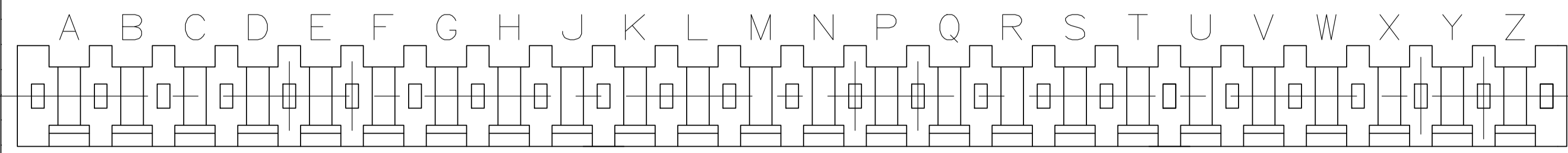


REVISIONS					
REV	DATE	DESCRIPTION	BY	CHK	APPV
M4	20JUN2019	PART STATUS UPDATED IN THE TABLE	KJK		PS



RECOMMENDED BOARD LAYOUTS



KEYWAY LOCATIONS (REF-SEE TABLE)
(MATING LENGTH OF POST ON NEAR SIDE)
SCALE 8:1

- ① THE TIPS OF THE POSTS WILL NOT BE PLATED
- ② THE NOTED DIMENSIONS APPLY AT THE INTERSECTION OF THE POST AND THE HOUSING
- ③ .000050-.000150 BRIGHT TIN LEAD.
- ④ .000050-.000150 MATTE TIN.
- ⑤ ROHS /95 /EC/ COMPLIANT
- ⑥ OBSOLETE PARTS: OBSOLETE CIS STREAMLINING PER D.RENAUD/D.SINISI

FINISH	KEYWAY LOCATIONS	NO OF KEYWAY	C	B	A	NO OF POSN	ASSEMBLY PART NUMBER
⑥ OBSOLETE	A,C,E,H,K,M,Q,S,U,W,Y	11	3.855	3.744	24	25	⑤ 7-87655-5
④	A,C,E,G,J,L,N,Q,S,U,W,Y	12	3.699	3.588	23	24	⑤ 7-87655-4
④	A,D,G,K,N,R,U,X	8	3.543	3.432	22	23	⑤ 7-87655-3
④	A,C,E,G,J,L,N,Q,S,U,W	11	3.387	3.276	21	22	⑤ 7-87655-2
④	A,D,G,K,N,R,U	7	3.231	3.120	20	21	⑤ 7-87655-1
④	A,C,E,G,J,L,N,Q,S,U	10	3.075	2.964	19	20	⑤ 7-87655-0
④	B,D,F,J,L,N,Q,S	8	2.919	2.808	18	19	⑤ 6-87655-9
④	A,D,F,J,M,P,S	7	2.763	2.652	17	18	⑤ 6-87655-8
④	A,D,G,K,N,R	6	2.607	2.496	16	17	⑤ 6-87655-7
④	A,C,E,G,J,L,N,Q	8	2.451	2.340	15	16	⑤ 6-87655-6
④	A,D,G,K,N	5	2.295	2.184	14	15	⑤ 6-87655-5
④	A,C,E,G,J,L,N	7	2.139	2.028	13	14	⑤ 6-87655-4
⑥ OBSOLETE	A,D,J,M	4	1.983	1.872	12	13	⑤ 6-87655-3
⑥ OBSOLETE	A,C,E,G,J,L	6	1.827	1.716	11	12	⑤ 6-87655-2
⑥ OBSOLETE	A,D,G,K	4	1.671	1.560	10	11	⑤ 6-87655-1
④	A,C,E,G,J	5	1.515	1.404	9	10	⑤ 6-87655-0
④	A,D,G	3	1.359	1.248	8	9	⑤ 5-87655-9
⑥ OBSOLETE	A,C,E,G	4	1.203	1.092	7	8	⑤ 5-87655-8
⑥ OBSOLETE	A,C,E	3	1.047	.936	6	7	⑤ 5-87655-7
④	A,C,E	3	.891	.780	5	6	⑤ 5-87655-6
⑥ OBSOLETE	A,D	2	.735	.624	4	5	⑤ 5-87655-5
④	A,C	2	.579	.468	3	4	⑤ 5-87655-4
④	A	1	.423	.312	2	3	⑤ 5-87655-3
④	A	1	.267	.156	1	2	⑤ 5-87655-2
⑥ OBSOLETE	A,C,E,H,K,M,Q,S,U,W,Y	11	3.855	3.744	24	25	2-87655-5
⑥ OBSOLETE	A,C,E,G,J,L,N,Q,S,U,W,Y	12	3.699	3.588	23	24	2-87655-4
⑤	A,D,G,K,N,R,U,X	8	3.543	3.432	22	23	2-87655-3
⑤	A,C,E,G,J,L,N,Q,S,U,W	11	3.387	3.276	21	22	2-87655-2
⑤	A,D,G,K,N,R,U	7	3.231	3.120	20	21	2-87655-1
⑤	A,C,E,G,J,L,N,Q,S,U	10	3.075	2.964	19	20	2-87655-0
⑤	B,D,F,J,L,N,Q,S	8	2.919	2.808	18	19	1-87655-9
⑤	A,D,F,J,M,P,S	7	2.763	2.652	17	18	1-87655-8
⑤	A,D,G,K,N,R	6	2.607	2.496	16	17	1-87655-7
⑤	A,C,E,G,J,L,N,Q	8	2.451	2.340	15	16	1-87655-6
⑤	A,D,G,K,N	5	2.295	2.184	14	15	1-87655-5
⑤	A,C,E,G,J,L,N	7	2.139	2.028	13	14	1-87655-4
⑤	A,D,J,M	4	1.983	1.872	12	13	1-87655-3
⑤	A,C,E,G,J,L	6	1.827	1.716	11	12	1-87655-2
⑤	A,D,G,K	4	1.671	1.560	10	11	1-87655-1
⑤	A,C,E,G,J	5	1.515	1.404	9	10	1-87655-0
⑤	A,D,G	3	1.359	1.248	8	9	87655-9
⑤	A,C,E,G	4	1.203	1.092	7	8	87655-8
⑤	A,C,E	3	1.047	.936	6	7	87655-7
⑤	A,C,E	3	.891	.780	5	6	87655-6
⑤	A,D	2	.735	.624	4	5	87655-5
⑤	A,C	2	.579	.468	3	4	87655-4
⑤	A	1	.423	.312	2	3	87655-3
⑤	A	1	.267	.156	1	2	87655-2

THIS DRAWING IS A CONTROLLED DOCUMENT.

DIMENSIONS: INCHES

TOLERANCES UNLESS OTHERWISE SPECIFIED:

0 PLC	± .005
1 PLC	± .005
2 PLC	± .005
3 PLC	± .005
4 PLC	± .005
ANGLES	± .005

MATERIAL: HOUSING - FLAME RESISTANT THERMOPLASTIC. COLOR - BLACK. POSTS - BRASS.

FINISH: SEE TABLE

APPROVED: J. SCHIEFFER

DATE: 14JUL87

NAME: AMPMODU MOD I, HEADER ASSEMBLY RIGHT ANGLE, SINGLE ROW, .156 CL

SIZE: A1

WEIGHT: --

CAGE CODE: 00779

DRAWING NO: 87655

RESTRICTED TO: --

CUSTOMER DRAWING

SCALE: 4:1

SHEET: 1 of 1

REV: M4

单击下面可查看定价，库存，交付和生命周期等信息

[>>TE Connectivity\(泰科\)](#)