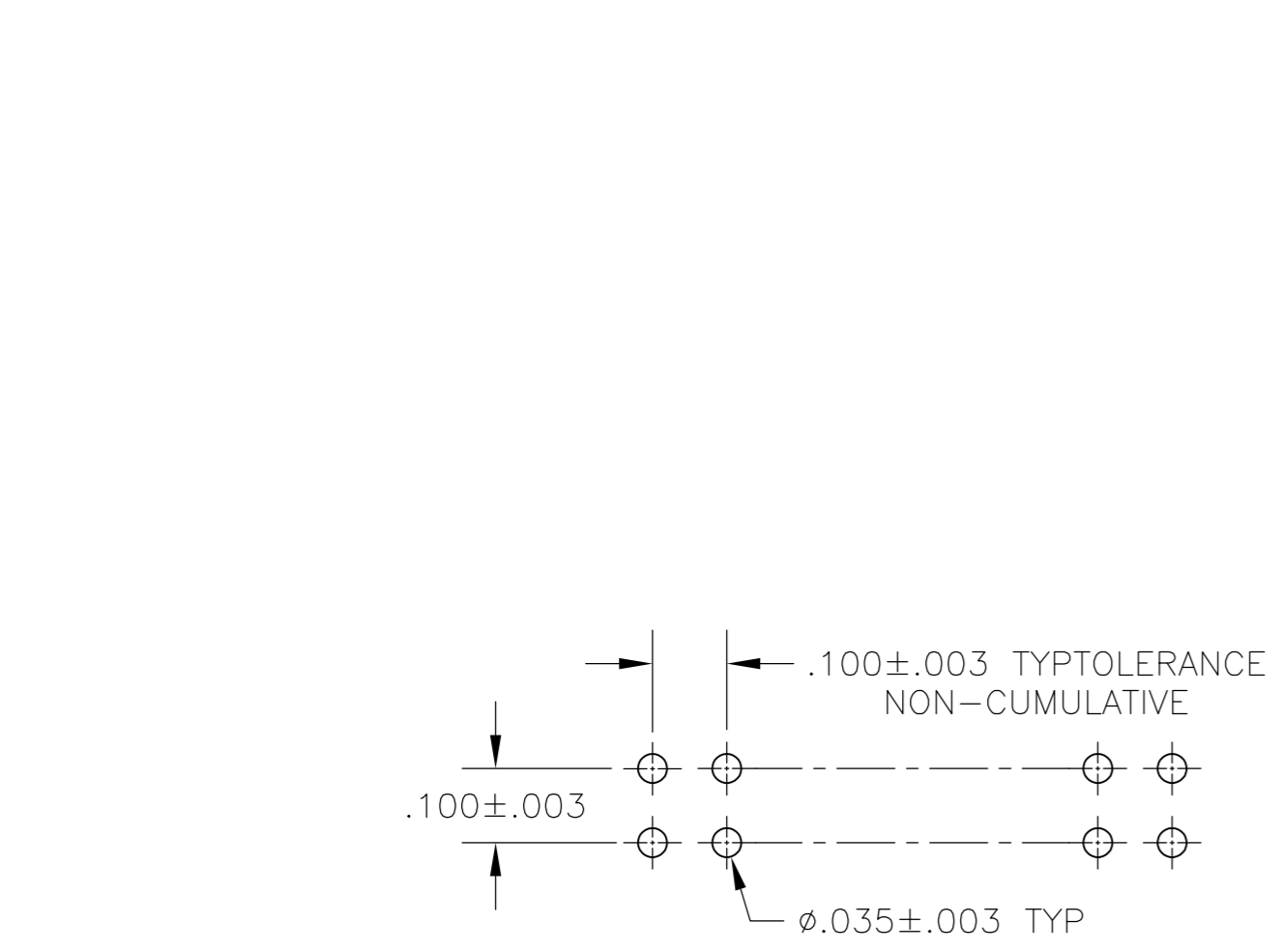
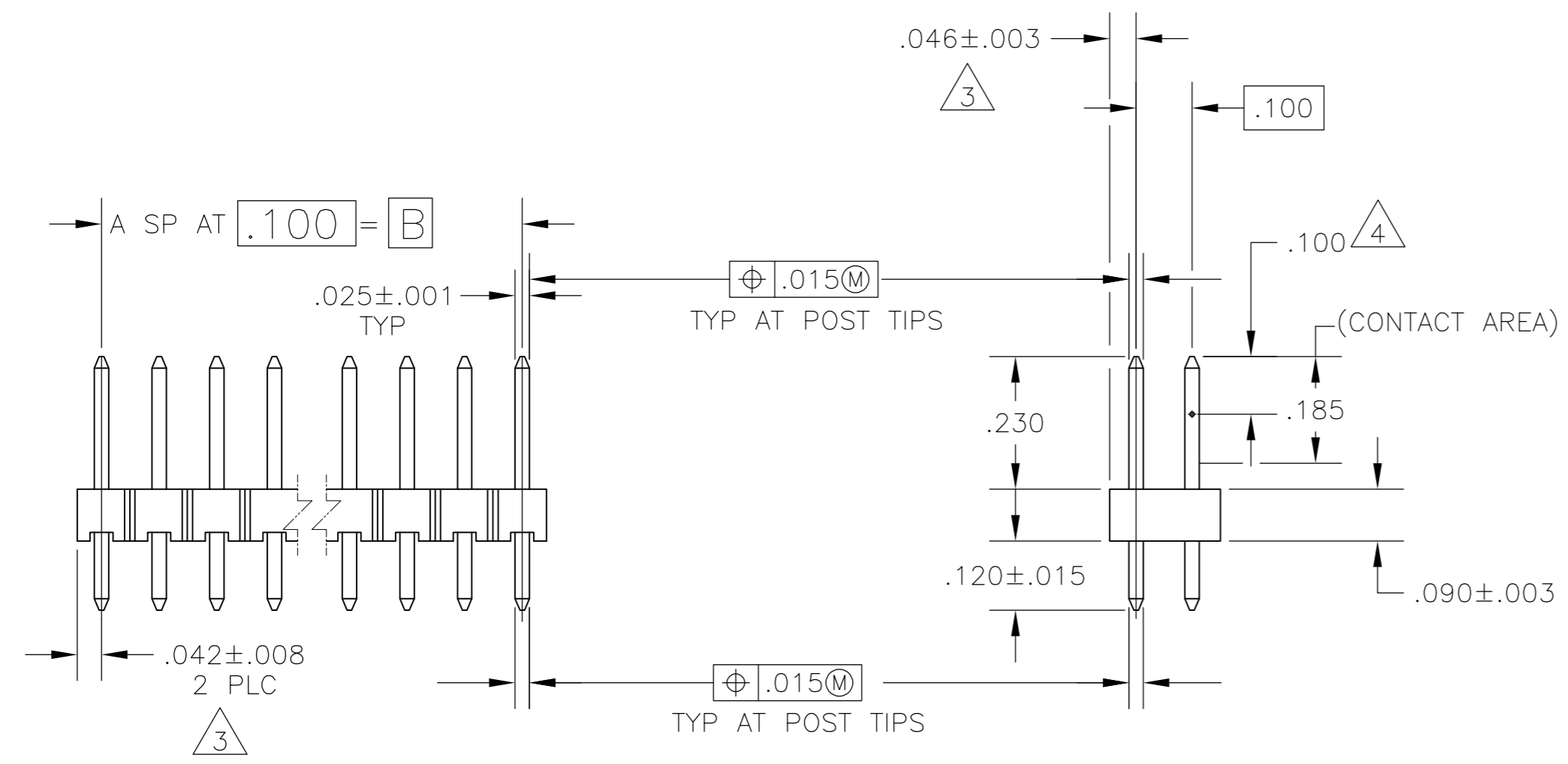
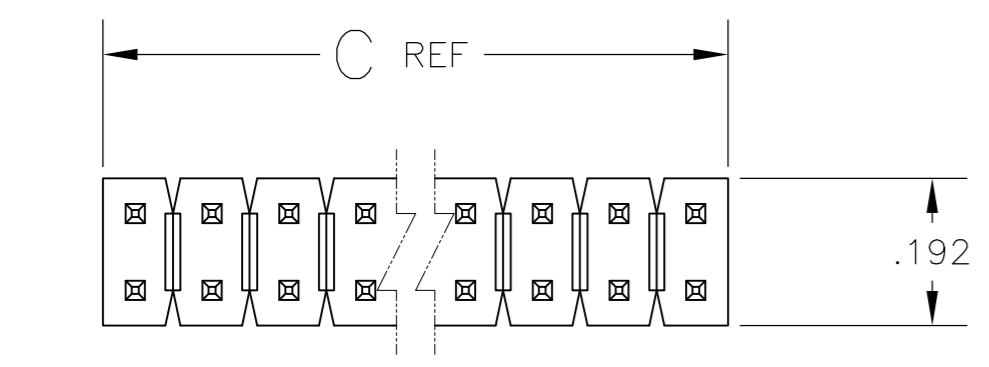


THIS DRAWING IS UNPUBLISHED. RELEASED FOR PUBLICATION  
 © COPYRIGHT - By - ALL RIGHTS RESERVED.

REVISIONS				
P	LTR	DESCRIPTION	DATE	DWN APVD
	J1	REVISED PER ECO-16-012733	07SEP2016	NK MM

- ASSEMBLY MAY BE BROKEN TO THE DESIRED NUMBER OF POSITIONS.
- TRUE POSITION TOLERANCE OF THE POST TIPS APPLIES WHEN THE HEADER IS HELD FLAT AGAINST THE PRINTED CIRCUIT BOARD.
- THE NOTED DIMENSIONS APPLY AT THE INTERSECTION OF THE POST AND HOUSING.
- POINT OF MEASUREMENT FOR PLATING THICKNESS.
- PART INDICATED IS PACKAGED IN "SINGLE TUBES".
- OBSOLETE PARTS: OBSOLETE CIS STREAMLINING PER D.RENAUD/D.SINISI.



RECOMMENDED HOLE LAYOUT

REMARKS	C	B	A	NO OF POSN	PART NUMBER	
6 OBSOLETE				12	26	4-103186-1
				39	80	4-103186-0
6 OBSOLETE				38	78	3-103186-9
6 OBSOLETE				37	76	3-103186-8
6 OBSOLETE				36	74	3-103186-7
				35	72	3-103186-6
				34	70	3-103186-5
6 OBSOLETE				33	68	3-103186-4
6 OBSOLETE				32	66	3-103186-3
				31	64	3-103186-2
6 OBSOLETE				30	62	3-103186-1
6 SUPERSEDED BY 8-146256-0				29	60	3-103186-0
6 OBSOLETE				28	58	2-103186-9
6 OBSOLETE				27	56	2-103186-8
6 OBSOLETE				26	54	2-103186-7
6 OBSOLETE				25	52	2-103186-6
6 OBSOLETE				24	50	2-103186-5
				23	48	2-103186-4
6 OBSOLETE				22	46	2-103186-3
6 OBSOLETE				21	44	2-103186-2
6 OBSOLETE				20	42	2-103186-1
				19	40	2-103186-0
6 OBSOLETE				18	38	1-103186-9
6 OBSOLETE				17	36	1-103186-8
				16	34	1-103186-7
				15	32	1-103186-6
				14	30	1-103186-5
6 OBSOLETE				13	28	1-103186-4
				12	26	1-103186-3
				11	24	1-103186-2
6 OBSOLETE				10	22	1-103186-1
				9	20	1-103186-0
				8	18	103186-9
				7	16	103186-8
				6	14	103186-7
				5	12	103186-6
				4	10	103186-5
				3	8	103186-4
				2	6	103186-3
				1	4	103186-2
				2	2	103186-1

THIS DRAWING IS A CONTROLLED DOCUMENT.

DWN H MOLL 13OCT87  
 CHK T. CLARK 20OCT87  
 APVD T. CLARK 20OCT87

DIMENSIONS: INCHES  
 TOLERANCES UNLESS OTHERWISE SPECIFIED:  
 0 PLC ± -  
 1 PLC ± -  
 2 PLC ± -  
 3 PLC ± .005  
 4 PLC ± -  
 ANGLES ± -

MATERIAL HOUSING: FLAME RETARDANT THERMOPLASTIC; COLOR-BLACK POST: COPPER ALLOY  
 FINISH POST: .00015 GOLD ON CONTACT .00100-.00200 MATTE TIN-LEAD ON SOLDER TAIL ALL OVER .00050 NICKEL

TE Connectivity  
 NAME: T. CLARK  
 PRODUCT SPEC: -  
 APPLICATION SPEC: -  
 WEIGHT: -

SIZE: A2 CAGE CODE: 00779 C=103186 DRAWING NO: 103186 RESTRICTED TO: -  
 SCALE: 4:1 SHEET: 1 of 1 REV: J1

CUSTOMER DRAWING

单击下面可查看定价，库存，交付和生命周期等信息

[>>TE Connectivity\(泰科\)](#)