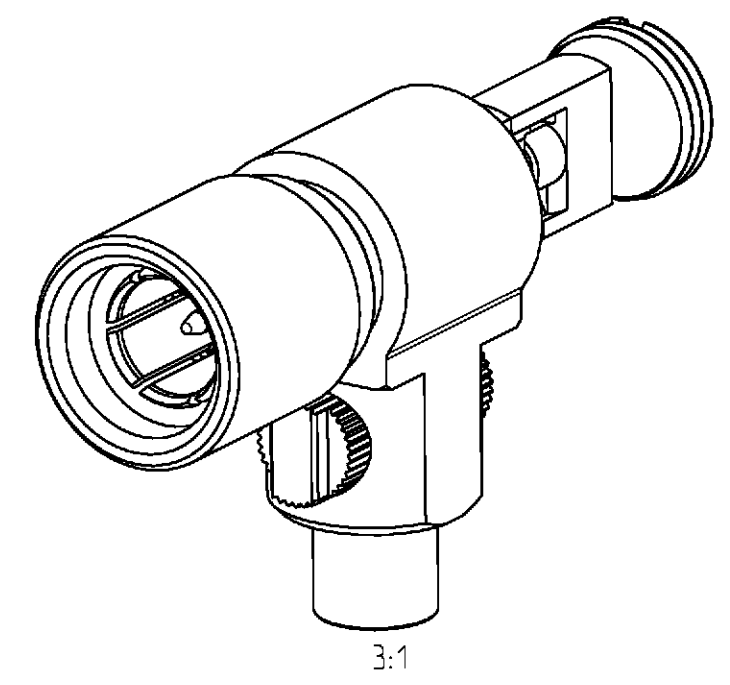
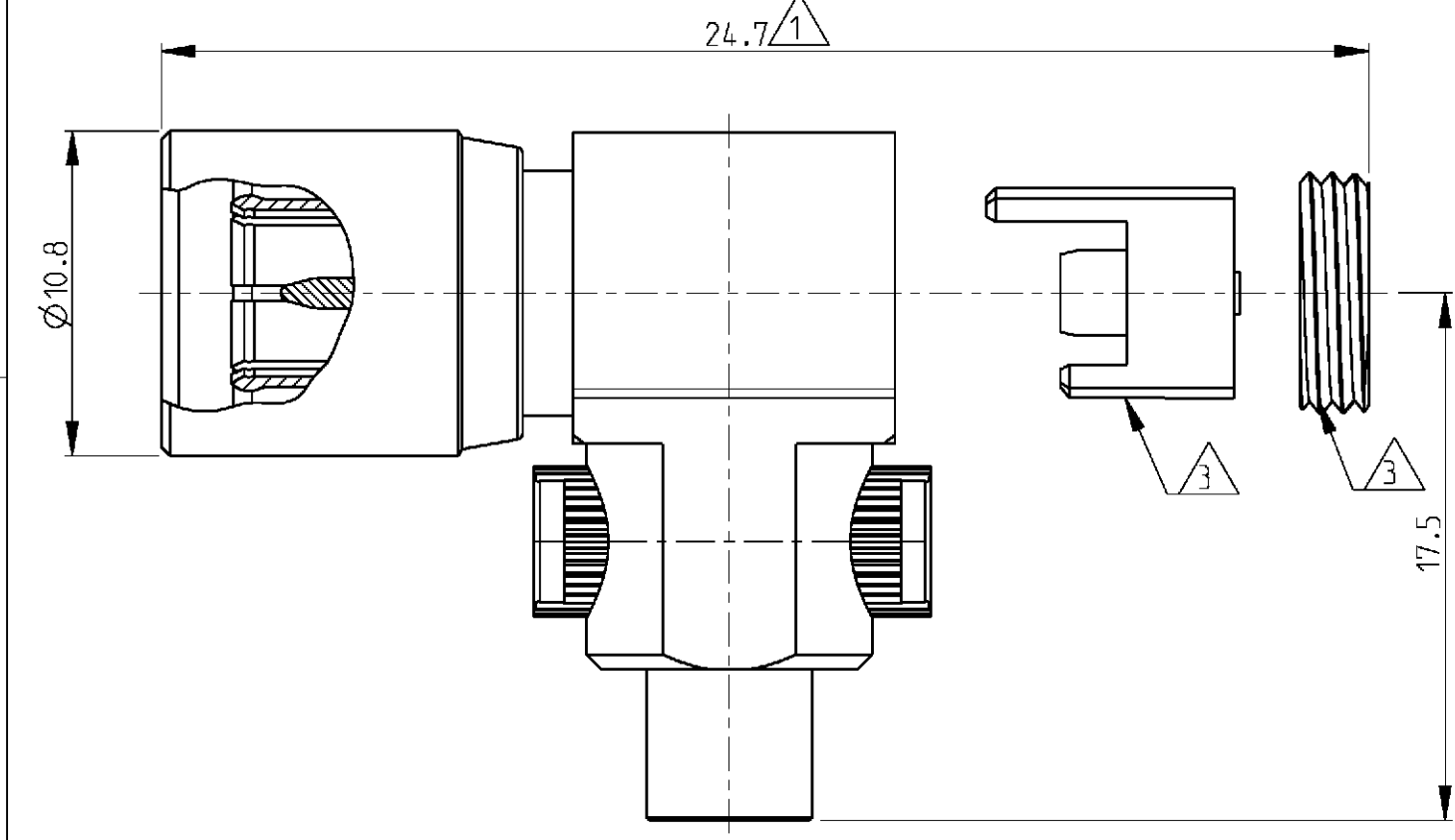


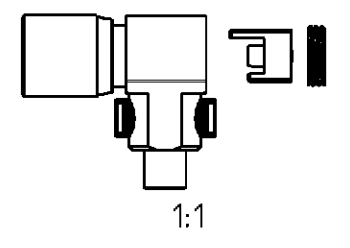
THIS DRAWING IS UNPUBLISHED. RELEASED FOR PUBLICATION 2000
 © COPYRIGHT 2000 BY TYCO ELECTRONICS CORPORATION. ALL RIGHTS RESERVED.

LOC	DIST	REVISIONS				
P	LTR	DESCRIPTION	DATE	DWN	APVD	
GW	-					
	A	-	05APR2001	BL	KM	
	A1	REV PER ECO-09-026495	11DEC09	KK	AEG	



Cross reference table					
Old part number	Tyco part number	Description	Material	Plating	Cable type
6 OBSOLETE V23612-A211-A76A	4-1393757-0	Outer conductor	CuBe	1 µm Au min in contact area	02Y (St) CY 0.45/2.0
5	5	Center conductor	CuSn6/CuBe	1 µm Au min in contact area	
		Dielectric	PEEK/PC	-	
V23612-A211-A76	1393757-9	Outer conductor	CuBe	1 µm Au min in contact area	02Y (St) CY 0.45/2.0
		Center conductor	CuSn6/CuBe	1 µm Au min in contact area	
		Dielectric	PEEK/PC	-	
6 OBSOLETE V23612-A211-A42	4-1393757-8	Outer conductor	CuBe	1 µm Au min in contact area	2YCY 0.4/2.5
		Center conductor	CuSn6/CuBe	1 µm Au min in contact area	
		Dielectric	PEEK/PC	-	

- 6** OBSOLETE PARTS: OBSOLETE CIS STREAMLINING PER D.RENAUD/D.SINISI
- 5** Packed in tray
- 4) Mating face according to DIN 47295 / CECC 22240.
- 3** Supplied as loose part
- 2) All dimensions are maximum
- 1** Dimension when fully constrained.



<small>THIS DRAWING IS A CONTROLLED DOCUMENT FOR TYCO ELECTRONICS CORPORATION. IT IS SUBJECT TO CHANGE AND THE CONTROLLING ENGINEERING ORGANIZATION SHOULD BE CONTACTED FOR THE LATEST REVISION.</small>		DWN 27MAR2001 B. Lenvain		Tyco Electronics Oostkamp - Belgium	
DIMENSIONS: mm		TOLERANCES UNLESS OTHERWISE SPECIFIED:		NAME Right angled cable plug with IDC CONNECTION 1.6/5.6 75 Ohm	
		0 PLC ± 1 PLC ± 2 PLC ± 3 PLC ± 4 PLC ± ANGLES ±		PRODUCT SPEC -	
MATERIAL -		FINISH -		APPLICATION SPEC 114-71027	
		WEIGHT -		SIZE A3 CAGE CODE 00779 DRAWING NO. ©-1393757-8 RESTRICTED TO -	
CUSTOMER DRAWING				SCALE 4/1 SHEET 1 OF 1 REV A1	

单击下面可查看定价，库存，交付和生命周期等信息

[>>TE Connectivity\(泰科\)](#)