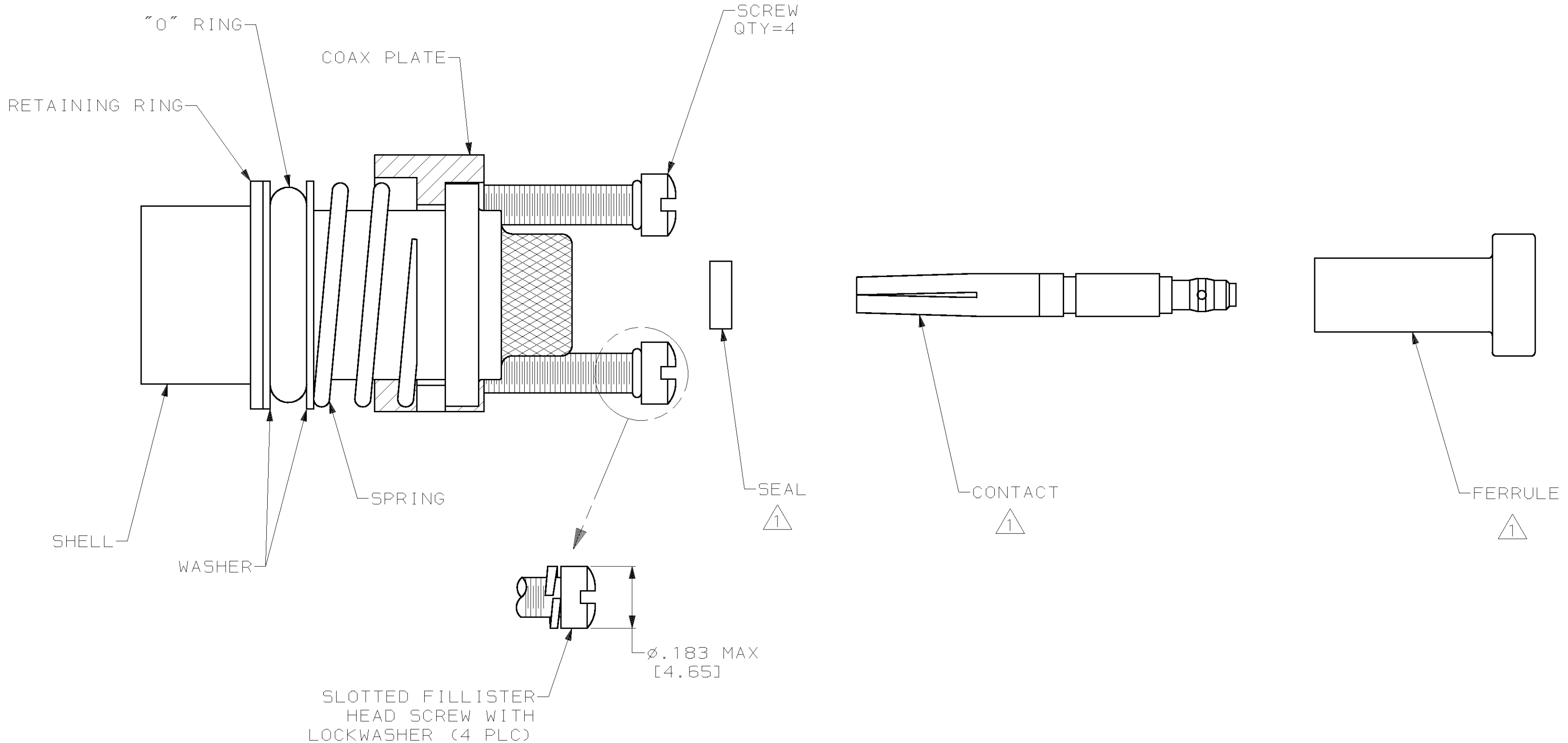


LOC	DIST	P	F	ZONE	LTR	REVISIONS	DATE	APPD
DF	AO					ADD -4 PER OG3D-0019-99	7-99	CT

⚠ PARTS PACKAGED UNASSEMBLED



446709-4 ONLY

SIZE ONE COAX KIT FOR RG 142, 142A OR 142B WITH SPECIAL SCREWS	446709-4
SIZE ONE COAX KIT FOR 393	446709-3
SIZE ONE COAX KIT FOR ECS 311201	446709-2
SIZE ONE COAX KIT FOR RG 142, 142A OR 142B	446709-1
DESCRIPTION	PART NUMBER

DO NOT SCALE PRINT. UNLESS SPECIFIED DIMENSIONS IN INCHES [mm] TOLERANCES ON : 2 PLC DEC ± - 3 PLC DEC ± - ANGLES ± -	DR M.E.PASTAL 7-26-89 CHK ROBERT HOSSLER 7-27-89 APPD ROBERT HOSSLER 7-27-89 APPD P.FISHER 7-27-89	AMP INCORPORATED Harrisburg, Pa. 17105  NAME SIZE #1 COAX SUBASSEMBLY KIT, SOCKET, 71C1, ARINC600		
MATERIAL -	PRODUCT SPEC -			
FINISH -	APPLICATION SPEC -	SIZE C	CAGE CODE 00779	DRAWING NO 446709
WEIGHT -		SCALE 4:1		SHEET 1 of 1

单击下面可查看定价，库存，交付和生命周期等信息

[>>TE Connectivity\(泰科\)](#)