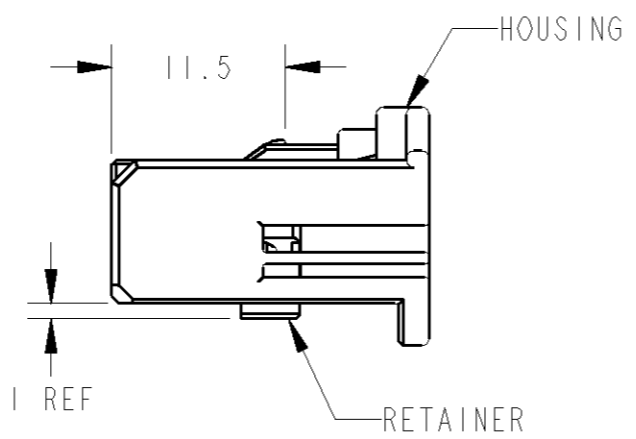
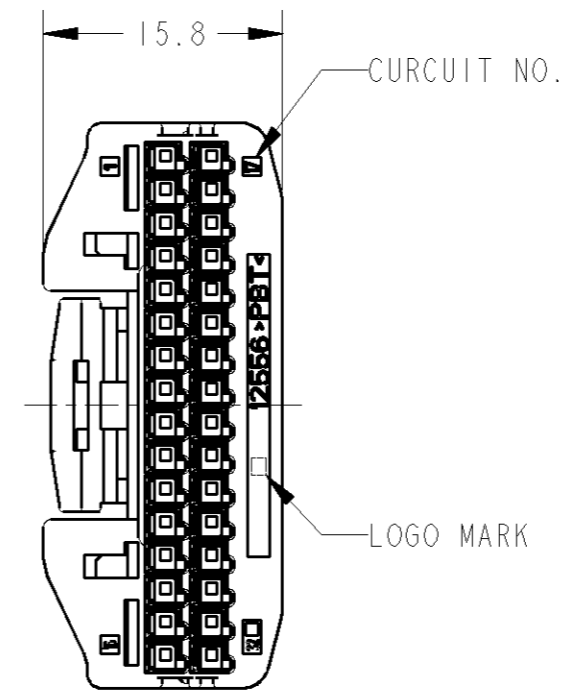
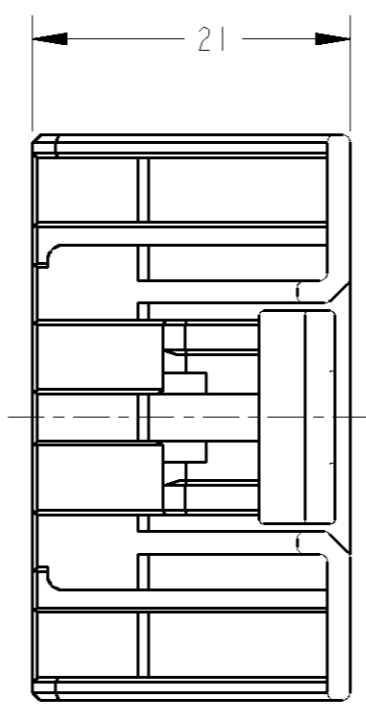
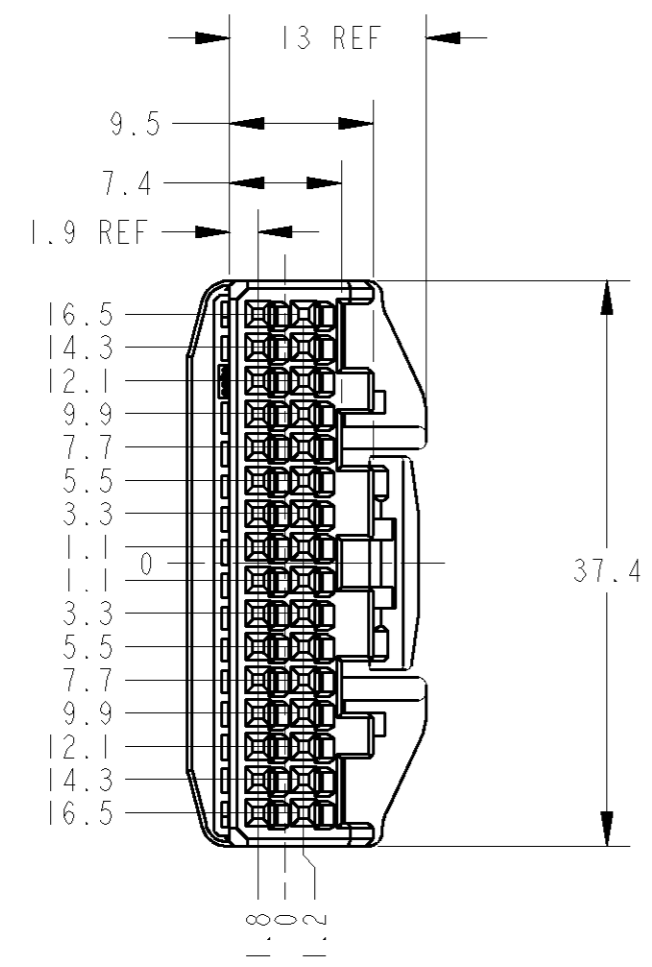


THIS DRAWING IS UNPUBLISHED. RELEASED FOR PUBLICATION 2004
 © COPYRIGHT 2004 BY TYCO ELECTRONICS CORPORATION. ALL RIGHTS RESERVED.

LOC	DIST	REVISIONS						
		P	LTR	DESCRIPTION	ECN	DATE	DWN	APVD
J	-		0	作成 RELEASED	FJA0-0067-04	26JAN04	SA	KA
			A	REVISED	ECR-10-007504	21MAY10	TS	KB
			AI	REVISED	ECR-10-012245	18JUN10	KF	HY



1. RETAINER SHOULD BE SENT TO THE PRE-ASSEMBLY.
2. INSTRUCTION SHEET NO. 411-78080.
3. PART NUMBER OF CAP HOUSING TO BE MATED : SEE TABLE-1
4. APPLIED TERMINALS : SEE TABLE-2

1. プラグハウジングにリテーナを仮係止して出荷される
2. 取扱説明書NO. 411-78080
3. 嵌合相手型番 : TABLE-1参照
4. 適用端子 : TABLE-2参照

TABLE-1

POS 極数	CAP ASSEMBLY PART NO. キャップ 型番
32	W-W 1473799
	W-B 1318745

TABLE-2

	TERMINAL NO. 端子型番	APPELVABLE WIRE RANGE 適用電線
0.64111 SIGNAL	TIN 1674311-1	AVSS/CAVS/CAVUS/AVSSH-f 0.3~0.5mm ²
	SELECTIVE GOLD 1674311-2	
	TIN 1674936-1	CAVS/CAVUS/CHFUS 0.22mm ²
	SELECTIVE GOLD 1674936-2	CAN 0.22mm ²

PAPER BOX ダンボール	PLASTIC BAG ビニール袋	NATURAL	1717118-1
OUTER 外装	INNER 内装	COLOR	PART NUMBER
PACKING STYLE 梱包形態			

THIS DRAWING IS A CONTROLLED DOCUMENT FOR TYCO ELECTRONICS CORPORATION
 IT IS SUBJECT TO CHANGE AND THE CONTROLLING ENGINEERING ORGANIZATION
 SHOULD BE CONTACTED FOR THE LATEST REVISION.

DWN S. AMEMIYA 26JAN04	Tyco Electronics Tyco Electronics Corporation Kawasaki, Japan
CHK H. YAMAGAMI 26JAN04	
APVD K. ASAI 26JAN04	
PRODUCT SPEC 108-5931	NAME 0.64111 32P PLUG HSG ASSEMBLY
APPLICATION SPEC 114-5329	SIZE A3
MATERIAL PBT	CAGE CODE 00779
FINISH SEE TABLE	DRAWING NO C=1717118
WEIGHT 4.9 g	RESTRICTED TO -
CUSTOMER DRAWING	SCALE 2:1
	SHEET 1
	OF 1
	REV A1

单击下面可查看定价，库存，交付和生命周期等信息

[>>TE Connectivity\(泰科\)](#)