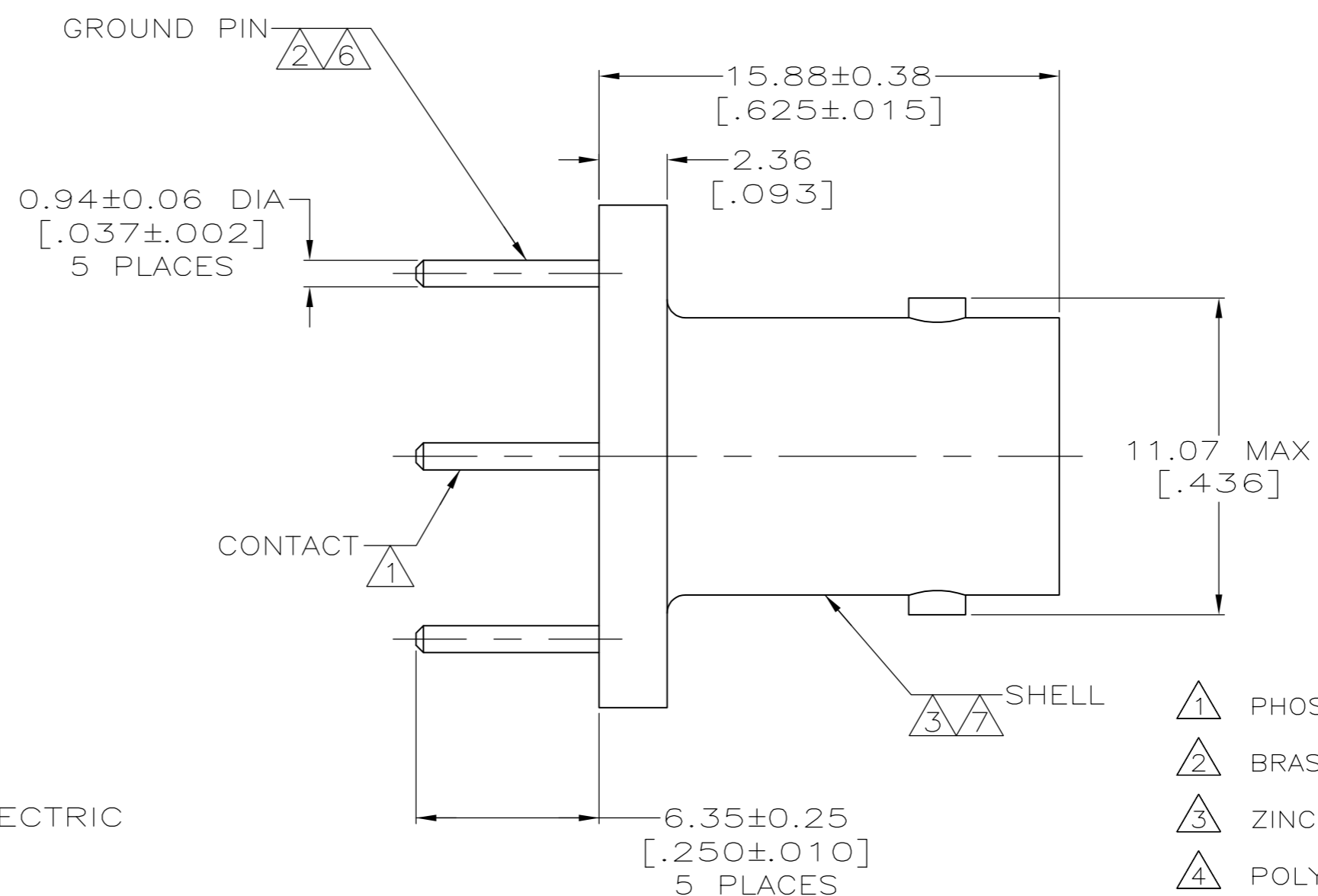
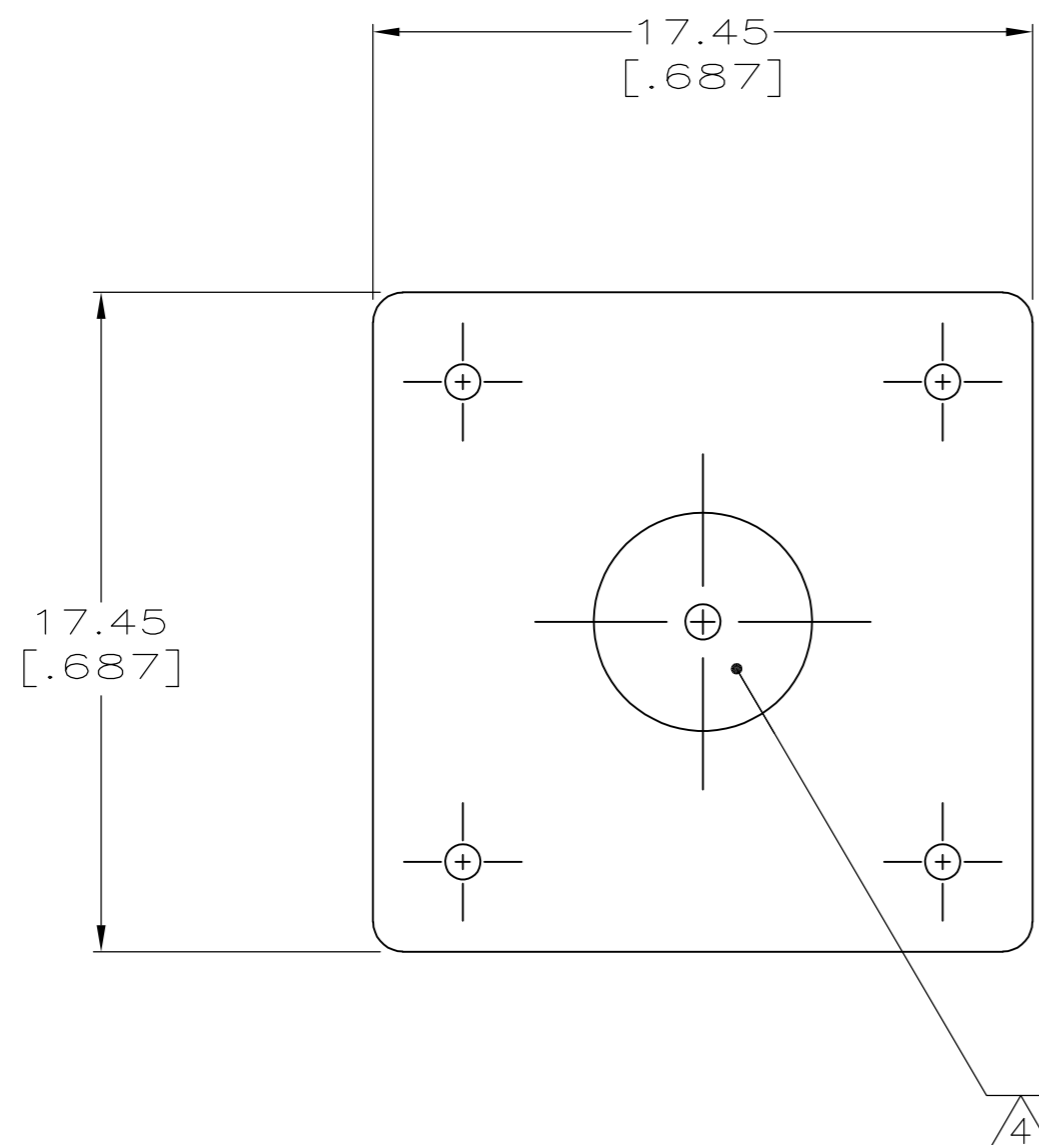
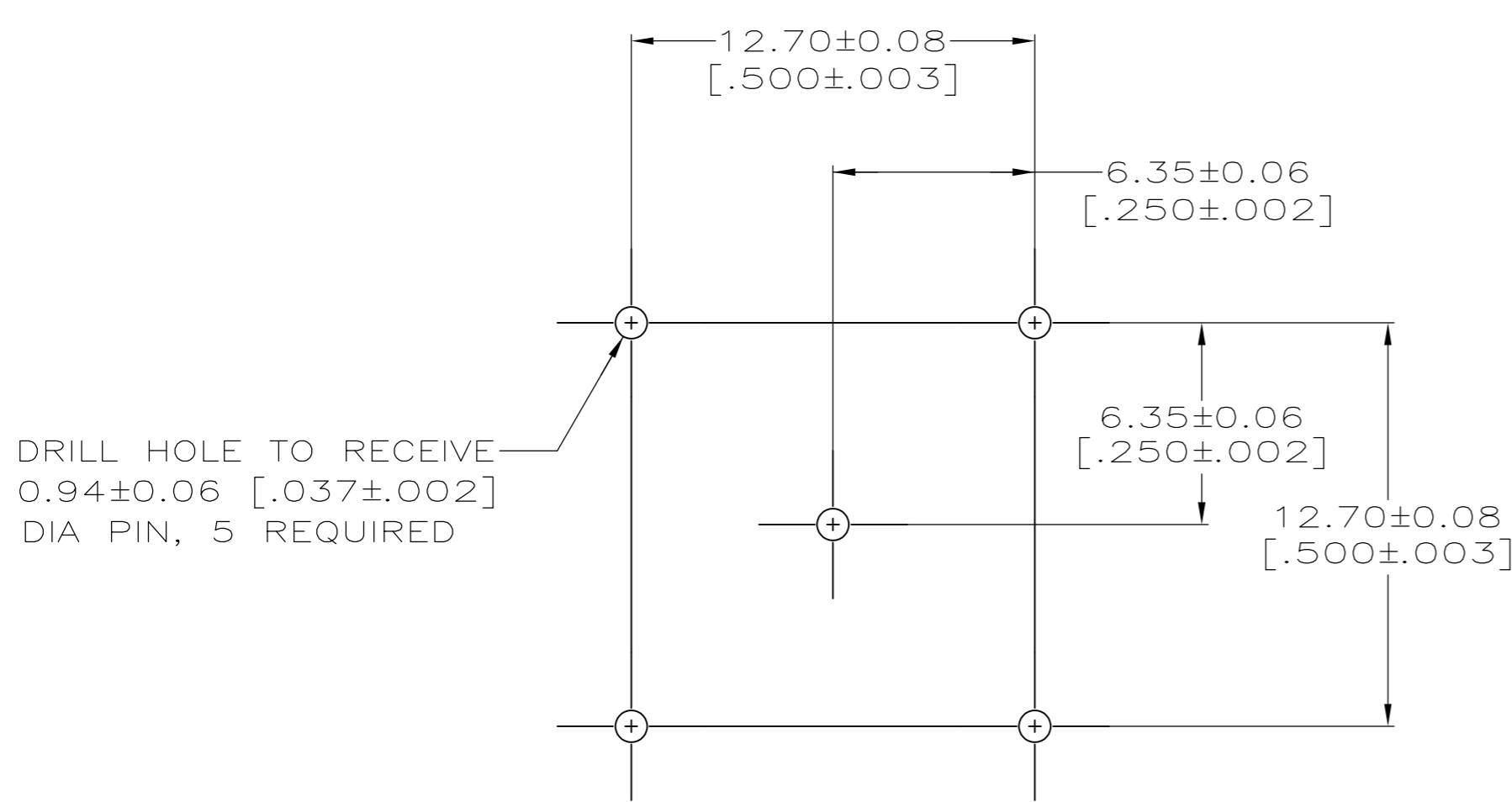


THIS DRAWING IS UNPUBLISHED. RELEASED FOR PUBLICATION
 © COPYRIGHT - By - ALL RIGHTS RESERVED.

LOC	DIST	REVISIONS			
P	LTR	DESCRIPTION	DATE	DWN	APVD
AJ	17				
	A1	REVISED PER ECO-11-005030	11MAR11	RK	HMR



- 1 PHOSPHOR BRONZE PER QQ-B-750.
- 2 BRASS PER QQ-B-626.
- 3 ZINC PER QQ-Z-363.
- 4 POLYESTER, PBT, PER MIL-M-24519.
- 5 SILVER PLATE PER QQ-S-365
2.54µm [.000100] MINIMUM THICK.
- 6 TIN PLATE PER ASTM-B-545
2.54µm [.000100] MINIMUM THICK.
- 7 NICKEL PLATE PER QQ-N-290
3.81µm [.000150] MINIMUM THICK.
- 8 GOLD PLATE PER ASTM-B-488,
0.76µm [.000030] MINIMUM THICK.
- 9. SEE INSTRUCTION SHEET 408-9889.



SUGGESTED PCB CONFIGURATION

6	5227699-3
8	5227699-2
5	5227699-1
CONTACT FINISH	PART NUMBER

THIS DRAWING IS A CONTROLLED DOCUMENT.		DWN	21APR2005		TE Connectivity
DIMENSIONS: mm [INCHES]		CHK	21APR2005		
TOLERANCES UNLESS OTHERWISE SPECIFIED:		APVD	21APR2005		
0 PLC ± - 1 PLC ± - 2 PLC ± 0.20 [.008] 3 PLC ± - 4 PLC ± - ANGLES ± -		NAME	J. LIPPERT		
MATERIAL		PRODUCT SPEC	108-12078	JACK, 50 OHM, VERTICAL, PCB, BNC	
FINISH		APPLICATION SPEC	-	SIZE	A2
		WEIGHT	-	CAGE CODE	00779
CUSTOMER DRAWING		SCALE 5:1		DRAWING NO	C=5227699
		SHEET 1 of 1		RESTRICTED TO	-
		REV A1			

单击下面可查看定价，库存，交付和生命周期等信息

[>>TE Connectivity\(泰科\)](#)