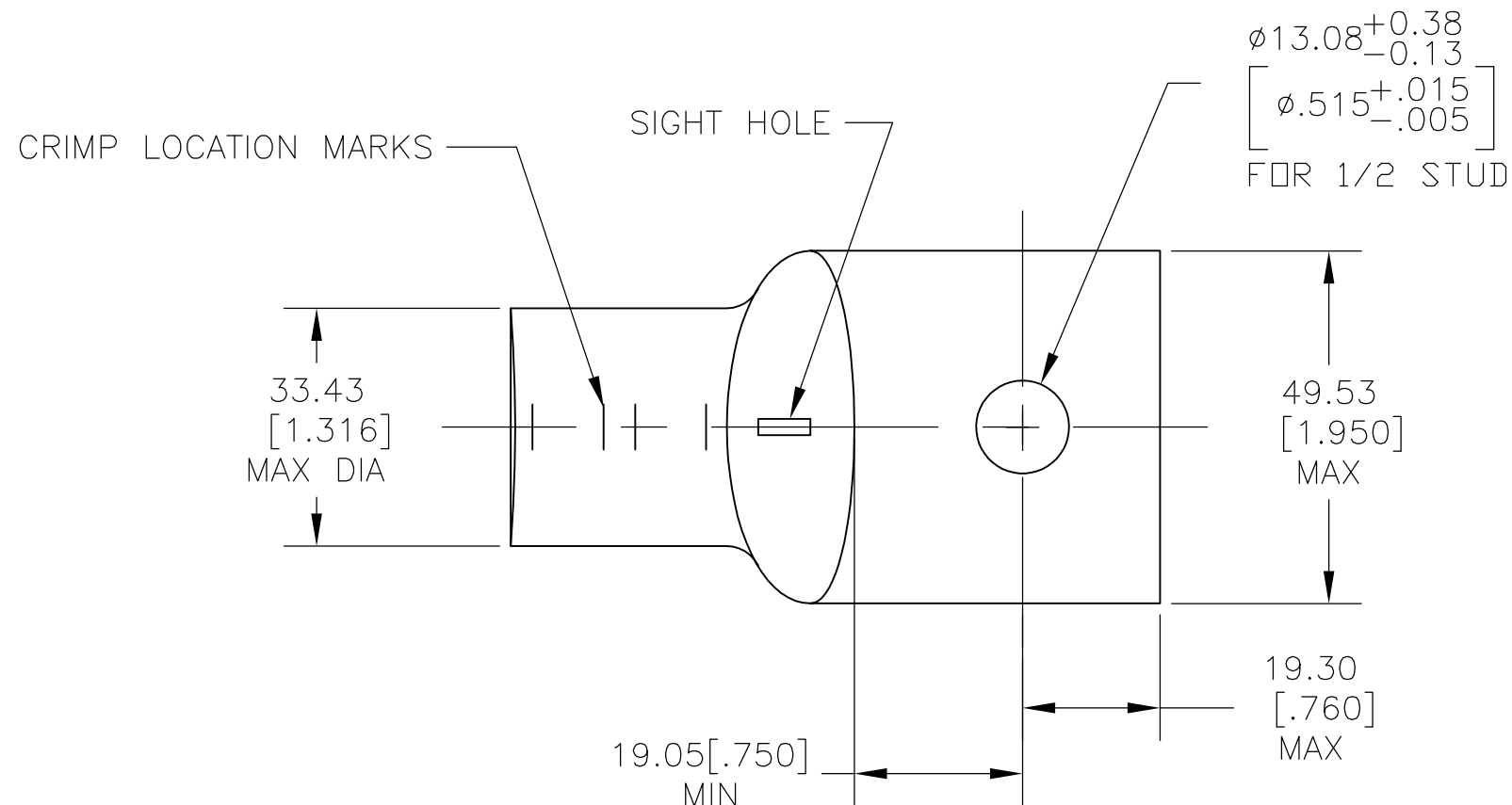
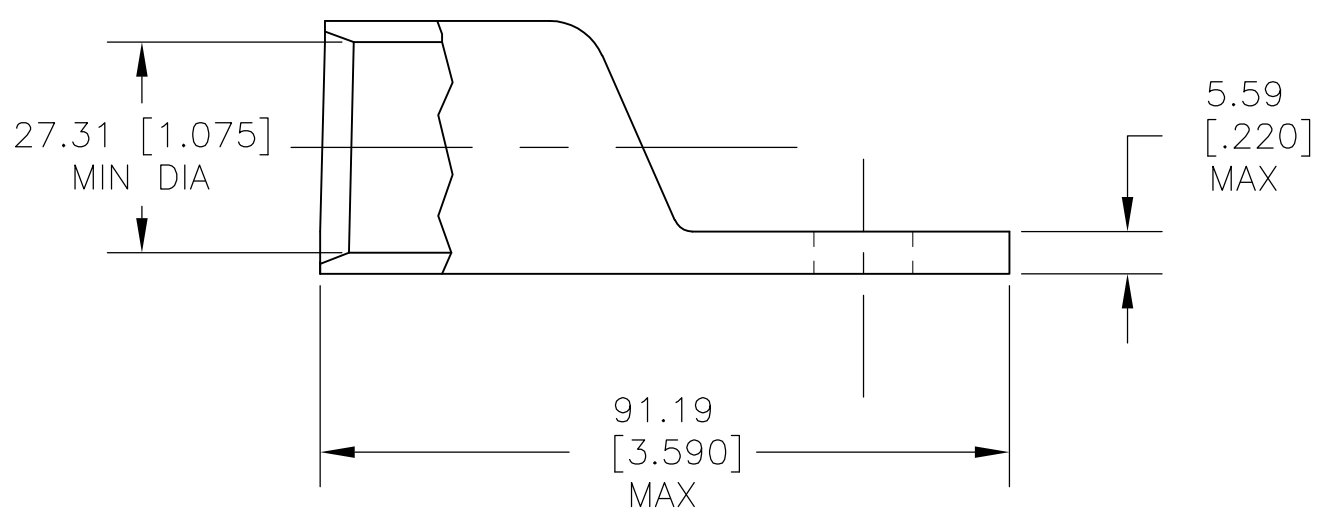


THIS DRAWING IS UNPUBLISHED. RELEASED FOR PUBLICATION  
 © COPYRIGHT BY TYCO ELECTRONICS CORPORATION. ALL RIGHTS RESERVED.

LOC	DIST	REVISIONS					
		P	LTR	DESCRIPTION	DATE	DWN	APVD
G	86		A	REL PER ECR 09-022677	20OCT09	JR	RL



- 1 CIRCULAR MIL RANGE IS 550-650 MCM
- 2 COPPER PER ASTM B-75, ANNEALED



1958299-1  
 PART NO

THIS DRAWING IS A CONTROLLED DOCUMENT.		DWN jr_ruth 30MAR09	Tyco Electronics Corporation Harrisburg, PA 17105-3608	
DIMENSIONS: MM [ INCHES ]		CHK RAY LANDON 30MAR09	NAME TERMINAL, AMPPOWER WIRE SIZE : 600 MCM	
TOLERANCES UNLESS OTHERWISE SPECIFIED:		APVD RAY LANDON 30MAR09	PRODUCT SPEC -	
0 PLC ± -		APPLICATION SPEC -		
1 PLC ± -		SIZE A3		
2 PLC ± 0.25 [.010]		CAGE CODE 00779		
3 PLC ± -		DRAWING NO G-1958299		
4 PLC ± -		RESTRICTED TO -		
ANGLES ± 5°		SCALE 1:1		
MATERIAL - 2		SHEET 1 OF 1		
FINISH TIN PLATED		REV A		
CUSTOMER DRAWING		SCALE 1:1 SHEET 1 OF 1 REV A		

单击下面可查看定价，库存，交付和生命周期等信息

[>>TE Connectivity\(泰科\)](#)