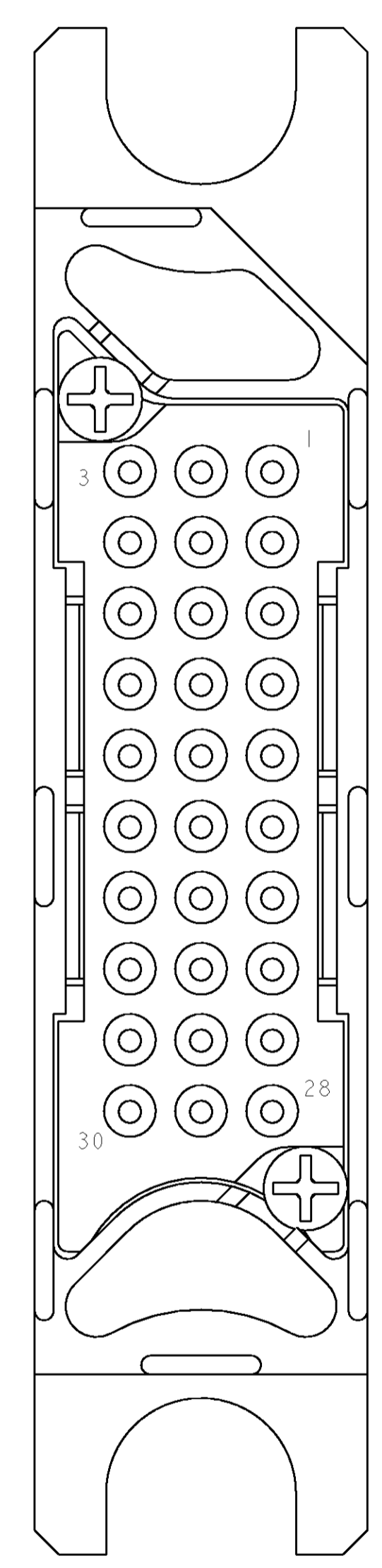
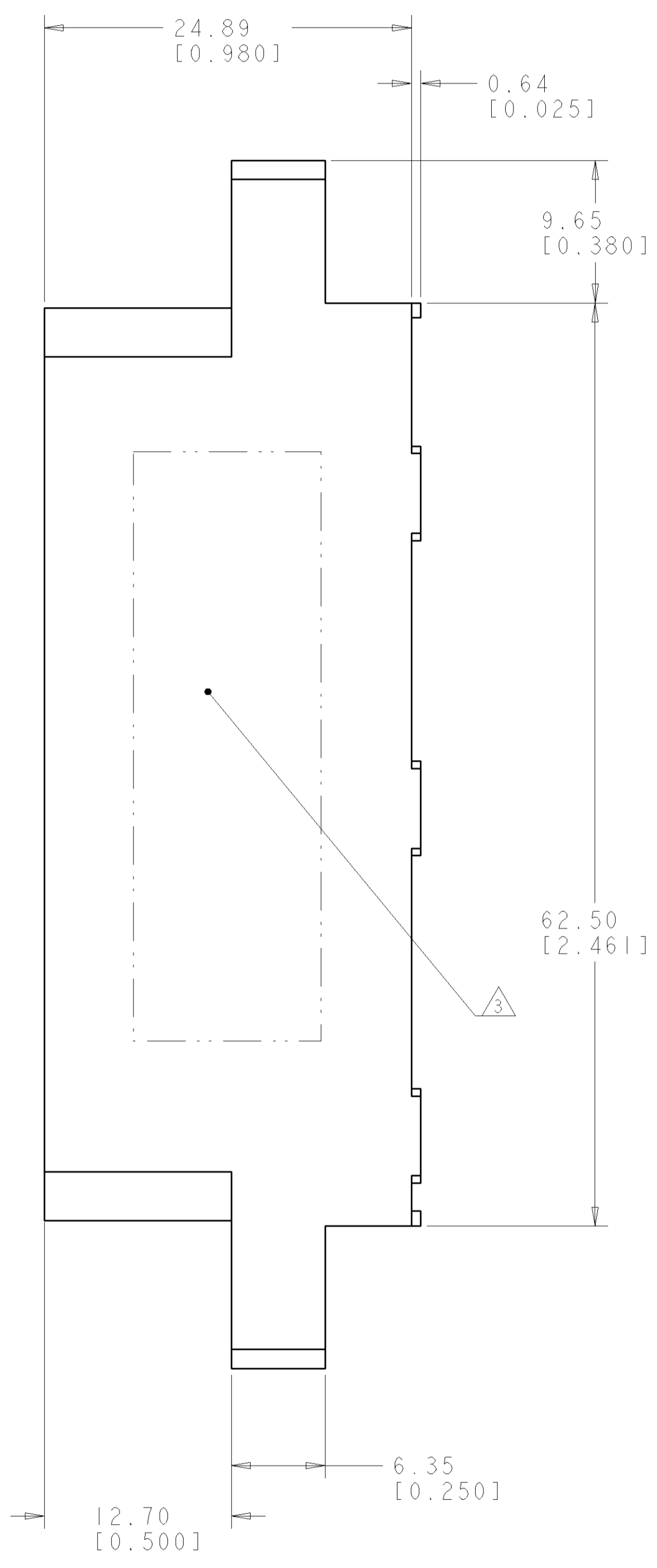
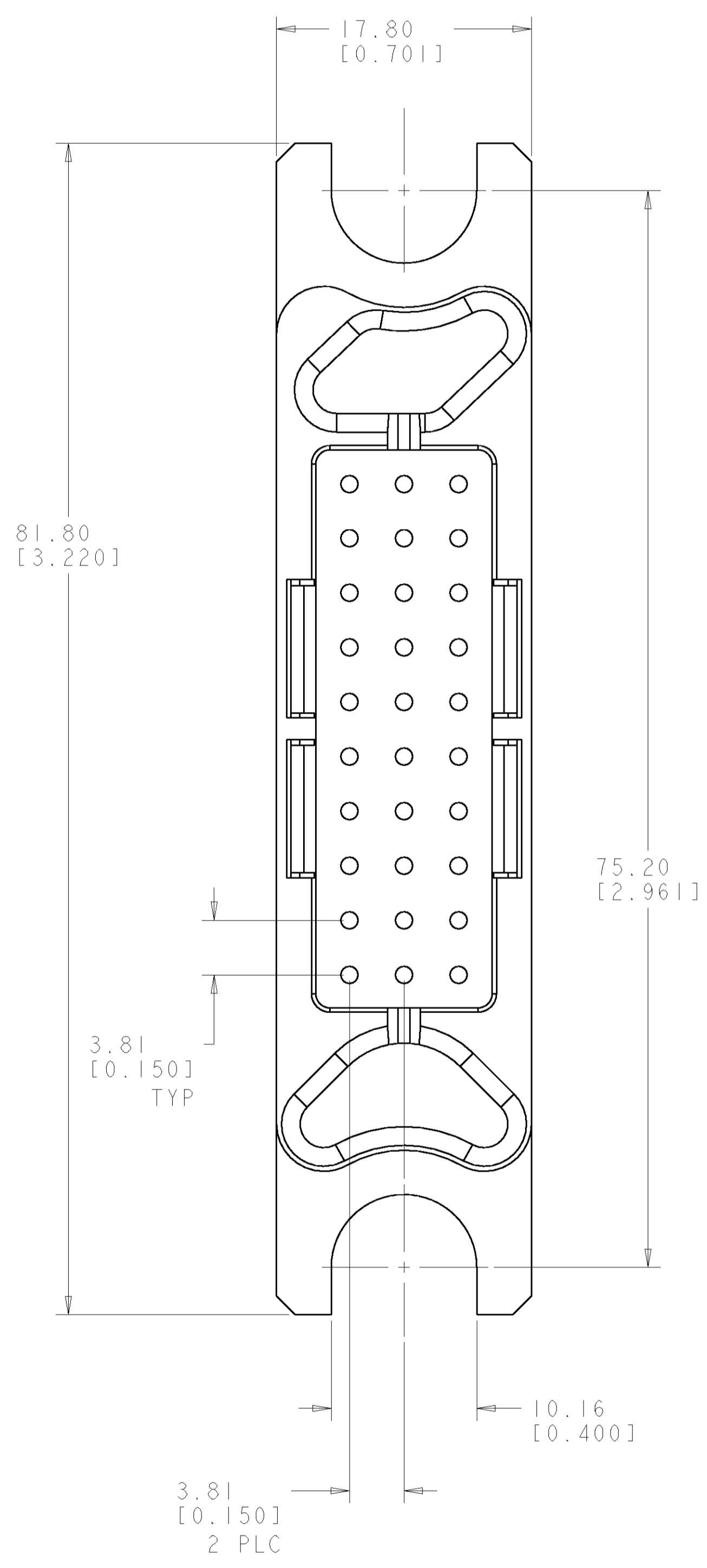


| LOC | | DIST | | REVISIONS | | | |
|-----|-----|-------------|----------|-----------|------|----|----|
| P | LTR | DESCRIPTION | DATE | DWN | APVD | RG | SF |
| A | | RELEASED | 19SEP106 | | | | |



REAR VIEW

- PART NUMBER CHANGES AND OR DESIGN CHANGES AFFECTING THE INTERCHANGEABILITY REQUIRE PRIOR TYCO APPROVAL AND AUTHORIZATION BY REVISION TO THIS DRAWING.
- MATERIAL:
 INSULATOR: THERMOPLASTIC, GLASS REINFORCED,
 FLAMMABILITY RATED, COLOR: BLACK
 RETENTION CLIPS: BERYLLIUM COPPER OR STAINLESS STEEL

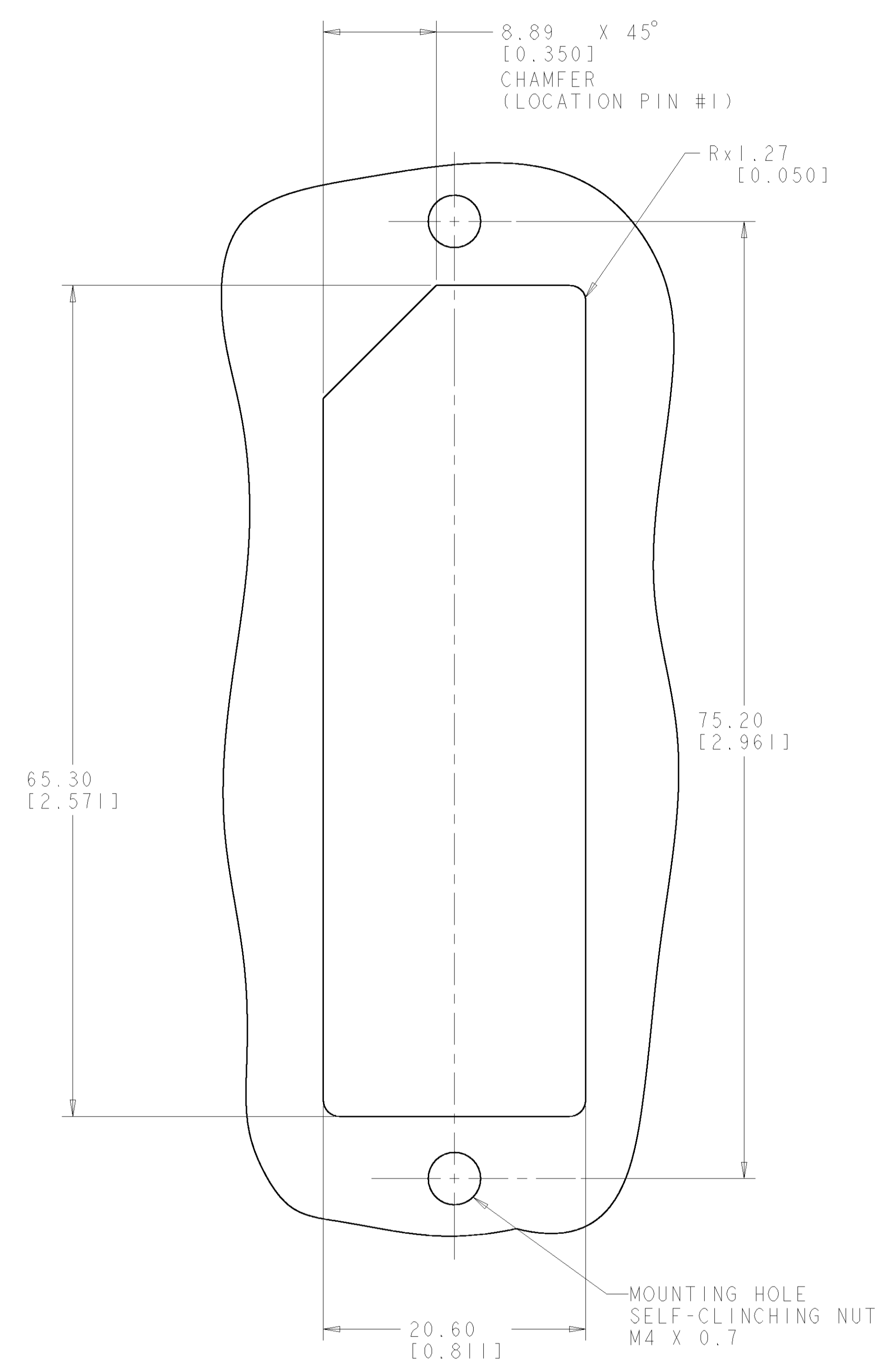
△ ITEMS PROVIDED TO THIS SPECIFICATION TO BE PERMANENTLY IDENTIFIED PER THE FOLLWING IDENTIFIER:
 YEAR WEEK
 TYCO PART NUMBER DATE CODE (e.g. 0216)
 XXXXXXXX-X XXXX

ELCON MINI DRAWER

| | |
|-------------|-------------|
| AS SHOWN | 6648190-1 |
| DESCRIPTION | PART NUMBER |

| | | | |
|---|--|--|--|
| DIMENSIONS: mm [INCHES] TOLERANCES UNLESS OTHERWISE SPECIFIED: 0 PLC ± 1 PLC ±.5 (.020) 2 PLC ±.25 (.010) 3 PLC ± 4 PLC ± ANGLES ± | | DWN: R. GRZYBOWSKI 19SEP106 ENR: S. FLICKINGER 19SEP106 APVD: S. FLICKINGER 19SEP106 PRODUCT SPEC: APPLICATION SPEC: WEIGHT: FINISH: | Tyco Electronics Harrisburg, PA 17105-3608 NAME: CONNECTOR, PIN 30 POSN. MINI DRAWER SIZE: CAGE CODE: DRAWING NO: A100779C=6648190 RESTRICTED TO: |
| MATERIAL: - FINISH: - | | CUSTOMER DRAWING | SCALE: 4:1 SHEET 1 OF 2 REV A |

| LOC | DIST | REVISIONS | | | |
|-----|------|-------------|------|-----|------|
| P | LTR | DESCRIPTION | DATE | DWN | APVD |
| - | - | SEE SHEET 1 | - | - | - |
| | | | | | |
| | | | | | |



SUGGESTED PANEL CUTOUT
 VIEW FROM CONNECTOR MOUNTING SIDE

ELCON MINI DRAWER

| | | | |
|--|--|--|--|
| <small>THIS DRAWING IS UNPUBLISHED. RELEASED FOR PUBLICATION BY TICO ELECTRONICS CORPORATION. ALL RIGHTS RESERVED.</small> | | DWN: B. GRZYBOWSKI 19SEPT06 CHK: S. FLICKINGER 19SEPT06 APVD: S. FLICKINGER 19SEPT06 | tyco Electronics Tyco Electronics Harrisburg, PA 17105-3608 |
| DIMENSIONS: mm [INCHES] | TOLERANCES UNLESS OTHERWISE SPECIFIED: 0 PLC ±. 1 PLC ±.5 (.020) 2 PLC ±.25 (.010) 3 PLC ±. 4 PLC ±. ANGLES ±. | PRODUCT SPEC: APPLICATION SPEC: WEIGHT: - FINISH: - | NAME: CONNECTOR, PIN 30 POSN. MINI DRAWER SIZE: A 00779 C=6648190 SCALE: 4:1 SHEET 2 OF 2 REV A |
| MATERIAL: - FINISH: - | | CUSTOMER DRAWING | RESTRICTED TO: - |

单击下面可查看定价，库存，交付和生命周期等信息

[>>TE Connectivity\(泰科\)](#)