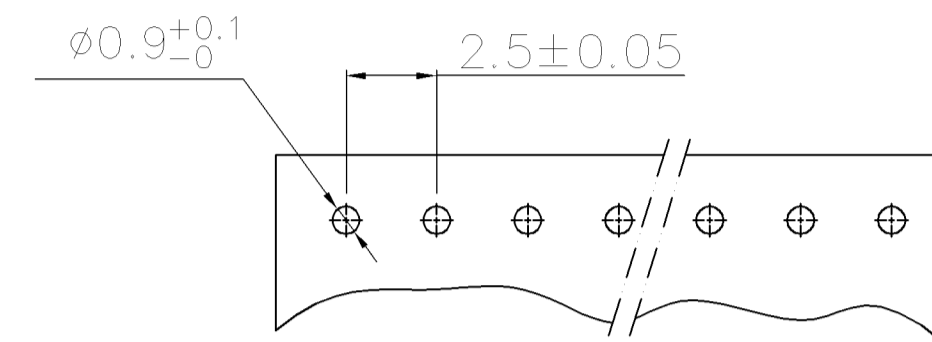
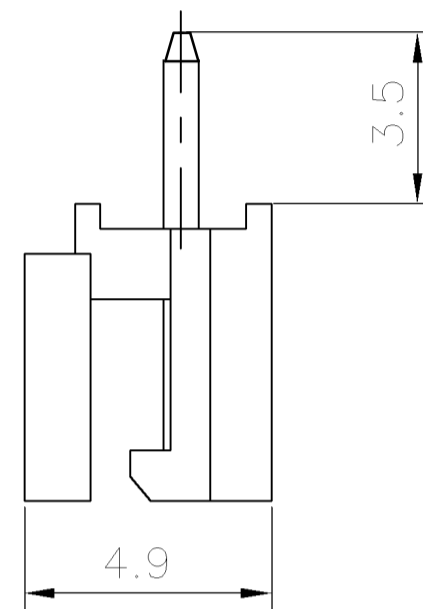
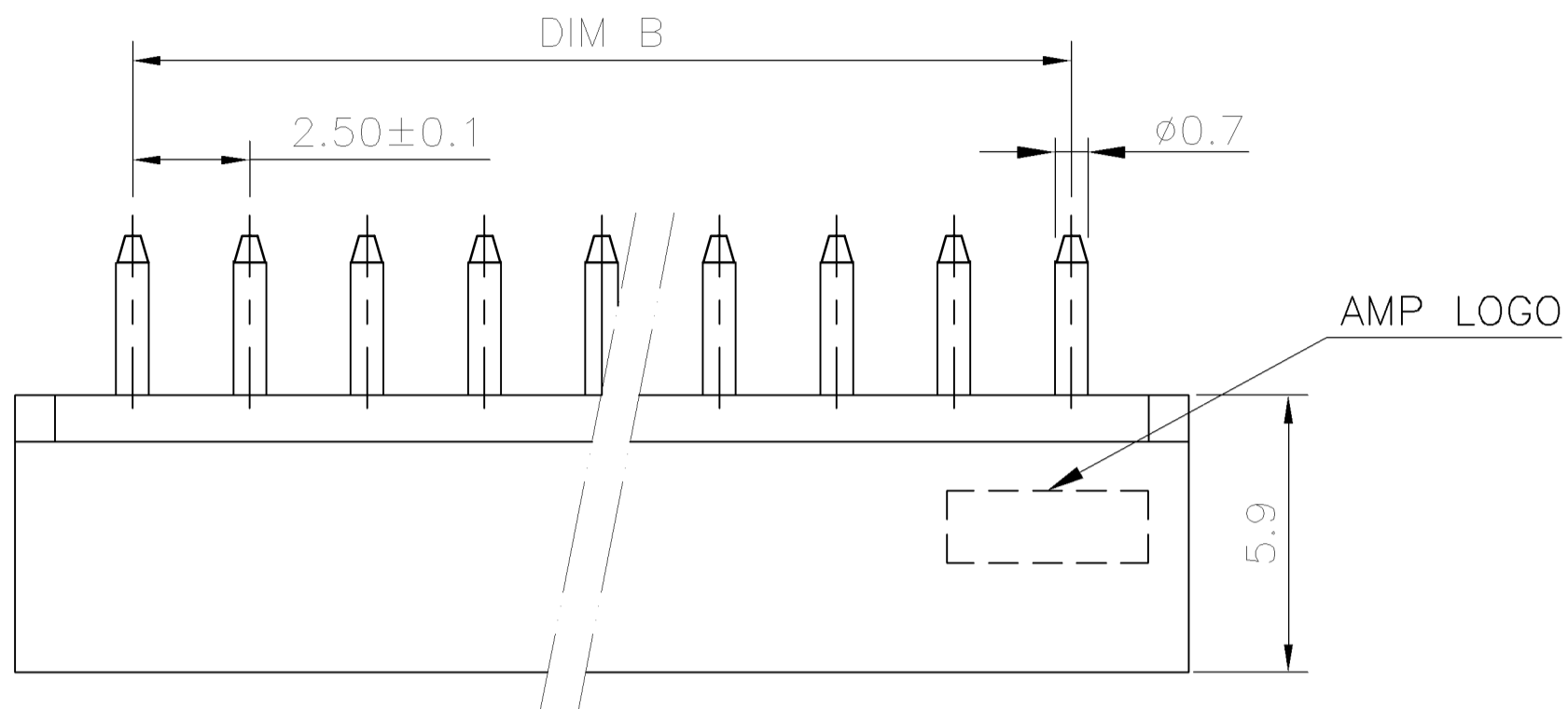
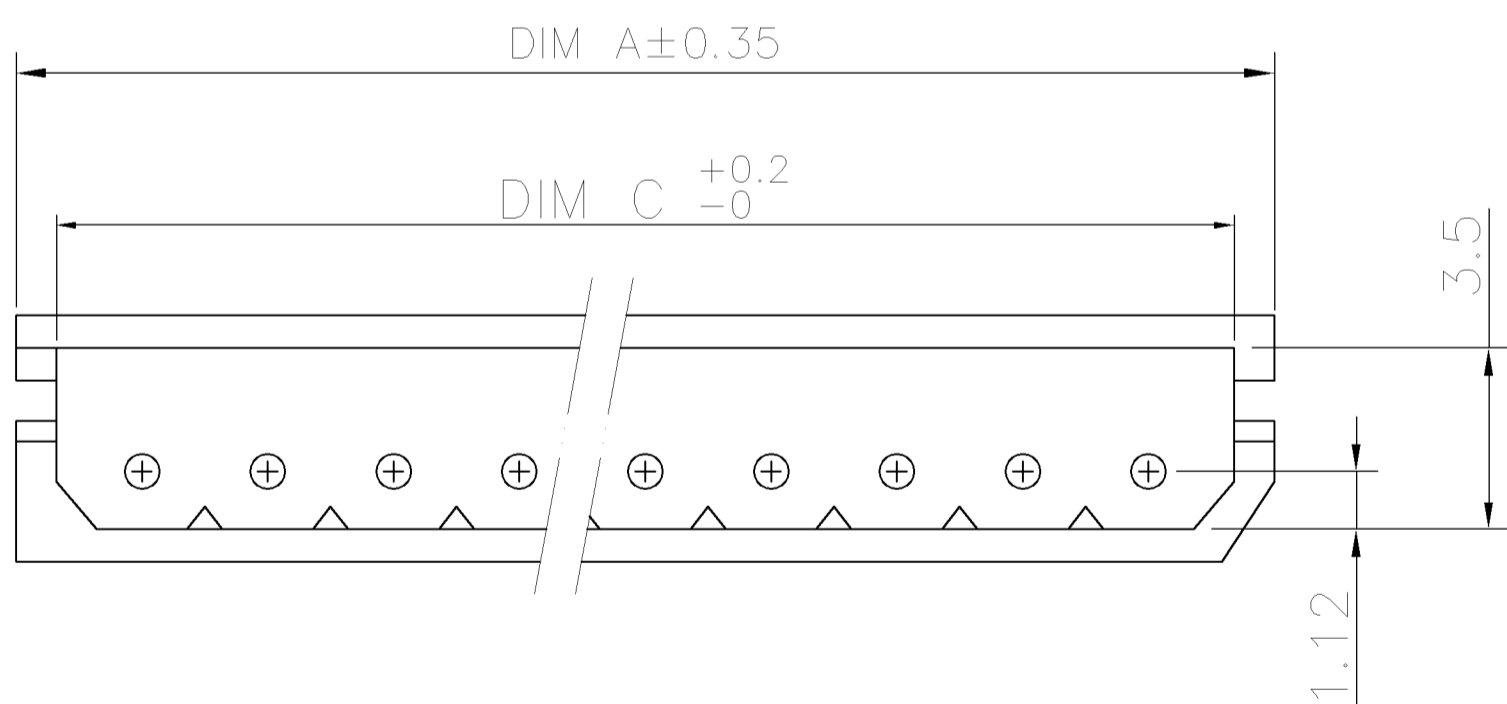


THIS DRAWING IS UNPUBLISHED. RELEASED FOR PUBLICATION
 © COPYRIGHT BY TYCO ELECTRONICS CORPORATION. ALL RIGHTS RESERVED.

LOC	DIST	REVISIONS			
P	LTR	DESCRIPTION	DATE	DWN	APVD
DW	—	A2	RELEASED ECR-16-007769	20JUN2016	J.J W.H



RECOMMENDED PCB LAYOUT (THICKNESS: 1.6MM)
 (TOP VIEW) (TOLERANCE: ±0.05)



NOTE:

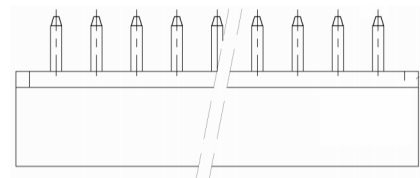
- MATERIAL :
 HOUSING : PA46, 30%GF, UL 94-V0, COLOR: SEE TABLE
 CONTACT : BRASS, THICKNESS=Ø0.7mm.
- FINISH:
 CONTACT: 2µm [80µ"] MIN. BRIGHT-TIN ON SOLDER TAIL, WITH
 ENTIRE CONTACT UNDERPLATED 0.75µm [30µ"] MIN. NICKEL.
- WAVE SOLDER CAPABLE TO 265°C PER TE TEST SPEC.
 109-202, CONDITION B.

HSG. COLOR	DIM C	DIM B	DIM A	POS.	PART NUMBER
BLUE	10.9	7.50 ±0.10	12.5	4	2-1775284-4
	8.4	5.00 ±0.10	10.0	3	2-1775284-3
	5.9	2.50 ±0.10	7.5	2	2-1775284-2
IVORY	10.9	7.50 ±0.10	12.5	4	0-1775284-4
	8.4	5.00 ±0.10	10.0	3	0-1775284-3
	5.9	2.50 ±0.10	7.5	2	0-1775284-2

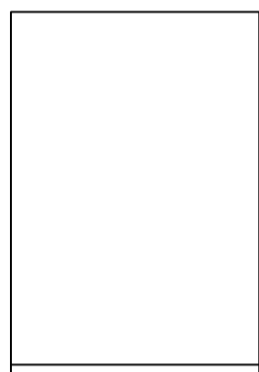
THIS DRAWING IS A CONTROLLED DOCUMENT.		DWN O. WU 26SEP2007	Tyco Electronics Corporation Taipei, Taiwan		
DIMENSIONS: MM		CHK S. HOU 26SEP2007			
TOLERANCES UNLESS OTHERWISE SPECIFIED:		APVD W.J. KE 26SEP2007	NAME		
0 PLC ± 0.50 1 PLC ± 0.20 2 PLC ± 0.10 3 PLC ± 0.05 4 PLC ± - ANGLES ± 3°		PRODUCT SPEC 108-57175	2.5mm PITCH EMIX POST, HEADER, VERTICAL TYPE		
MATERIAL SEE NOTE		QUALIFICATION TEST REPORT 501-57195	SIZE A3	CAGE CODE 00779	DRAWING NO C=1775284
FINISH SEE NOTE		WEIGHT --	RESTRICTED TO --		SCALE --
CUSTOMER DRAWING			SHEET 1 OF 2	REV A2	

THIS DRAWING IS UNPUBLISHED. RELEASED FOR PUBLICATION
 © COPYRIGHT BY TYCO ELECTRONICS CORPORATION. ALL RIGHTS RESERVED.

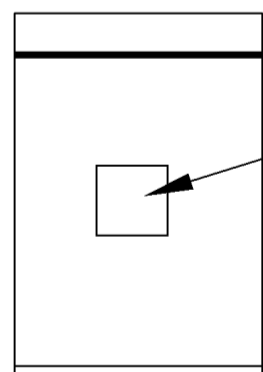
LOC	DIST	REVISIONS					
DW	—	P	LTR	DESCRIPTION	DATE	DWN	APVD
				SEE SHEET 1.			



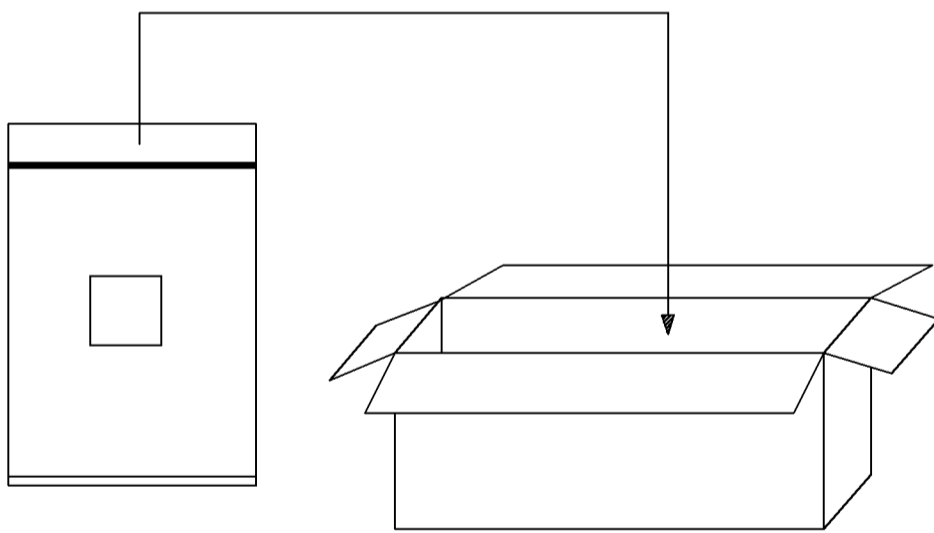
CONNECTOR



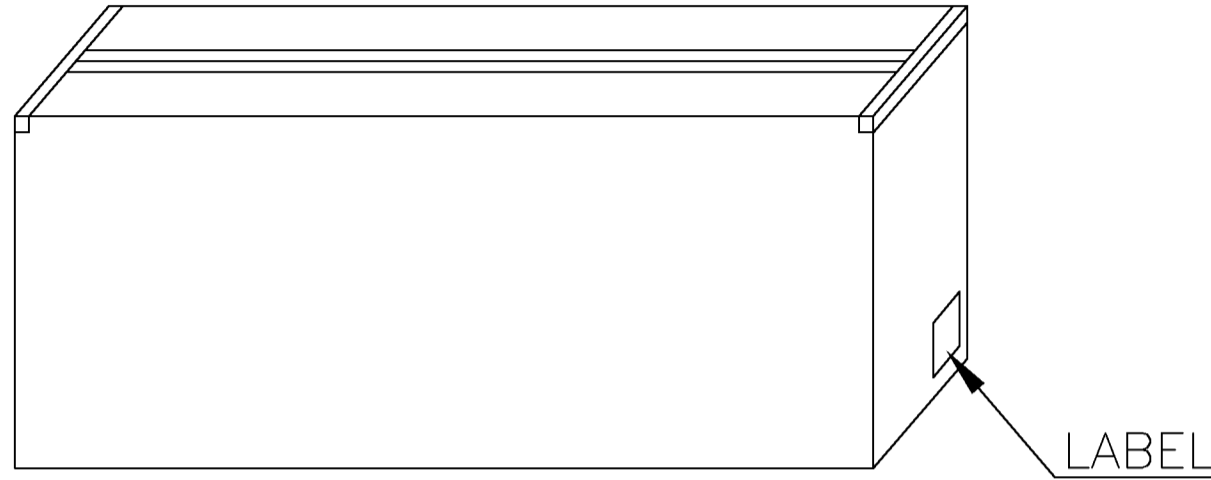
BAG



LABEL



SHIPPING BOX



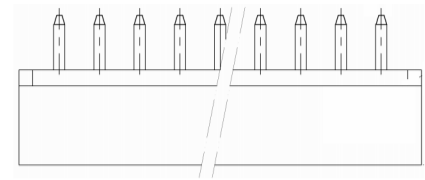
LABEL

-24,000	600	2-1775284-4	0-1775284-4
30,000	750	2-1775284-3	0-1775284-3
-36,000	1000	2-1775284-2	0-1775284-2
APQ (PCS/BOX)	PPQ (PCS/BAG)	PART NUMBER	

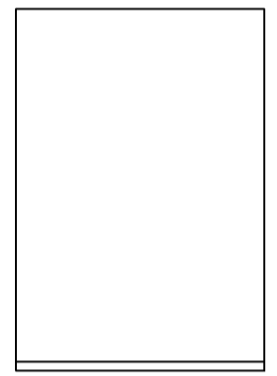
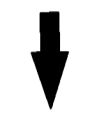
THIS DRAWING IS A CONTROLLED DOCUMENT.		DWN O. WU	26SEP2007	Tyco Electronics Corporation Taipei, Taiwan	
DIMENSIONS: MM		CHK S. HOU	26SEP2007		
		TOLERANCES UNLESS OTHERWISE SPECIFIED:		NAME	
MATERIAL		APVD W.J. KE		2.5mm PITCH EMIX POST, HEADER, VERTICAL TYPE	
FINISH		PRODUCT SPEC		SIZE	CAGE CODE
		APPLICATION SPEC		A3	00779
		WEIGHT		DRAWING NO	
		CUSTOMER DRAWING		C=1775284	
		SCALE		SHEET	REV
		—		2 OF 2	A2

THIS DRAWING IS UNPUBLISHED. RELEASED FOR PUBLICATION
 © COPYRIGHT BY TYCO ELECTRONICS CORPORATION. ALL RIGHTS RESERVED.

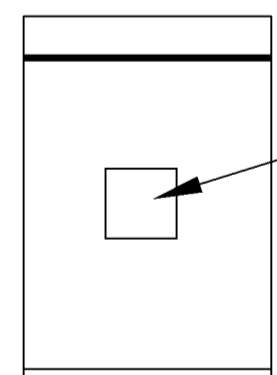
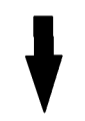
LOC		DIST		REVISIONS					
DW		—		P	LTR	DESCRIPTION	DATE	DWN	APVD
						SEE SHEET 1.			



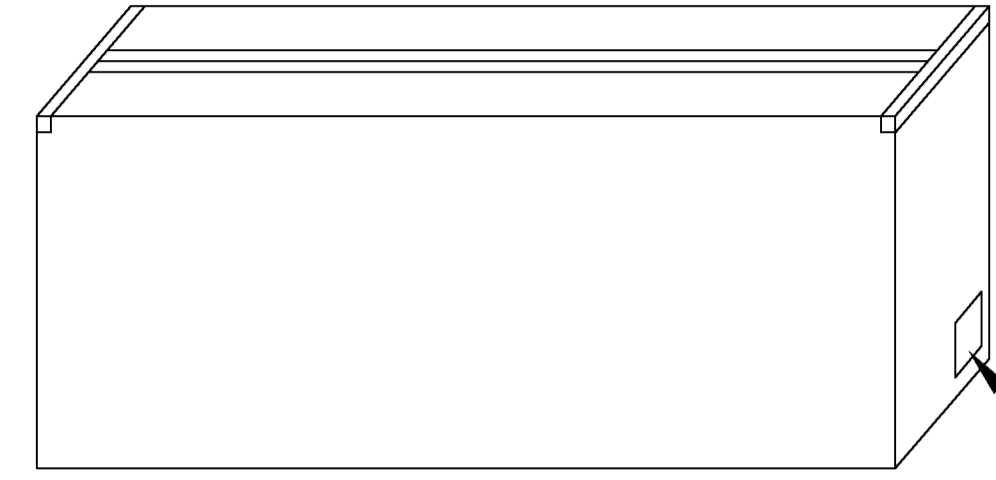
CONNECTOR



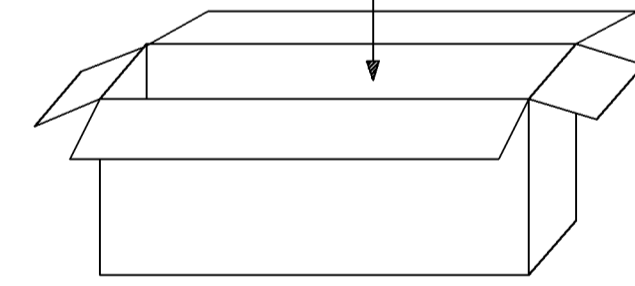
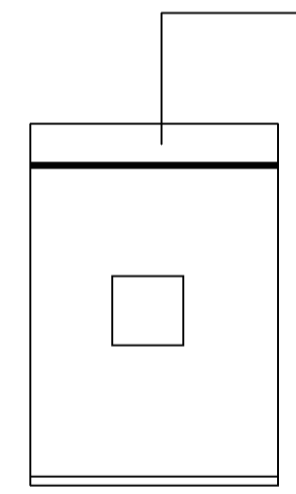
BAG



LABEL



LABEL



SHIPPING BOX

- 24,000	600	2-1775284-4	0-1775284-4
30,000	750	2-1775284-3	0-1775284-3
- 36,000	1000	2-1775284-2	0-1775284-2
APQ (PCS/BOX)	PPQ (PCS/BAG)	PART NUMBER	

THIS DRAWING IS A CONTROLLED DOCUMENT.		DWN O. WU	26SEP2007	Tyco Electronics Corporation Taipei, Taiwan	
DIMENSIONS: MM		CHK S. HOU	26SEP2007		
TOLERANCES UNLESS OTHERWISE SPECIFIED:		APVD W.J. KE	26SEP2007	NAME	
0 PLC ± - 1 PLC ± - 2 PLC ± - 3 PLC ± - 4 PLC ± - ANGLES ± - FINISH		PRODUCT SPEC		2.5mm PITCH EMIX POST, HEADER, VERTICAL TYPE	
MATERIAL		APPLICATION SPEC		SIZE	RESTRICTED TO
		WEIGHT		A3	—
CUSTOMER DRAWING				CAGE CODE	DRAWING NO
				00779	1775284
SCALE				SHEET	REV
—				2 OF 2	A2

单击下面可查看定价，库存，交付和生命周期等信息

[>>TE Connectivity\(泰科\)](#)