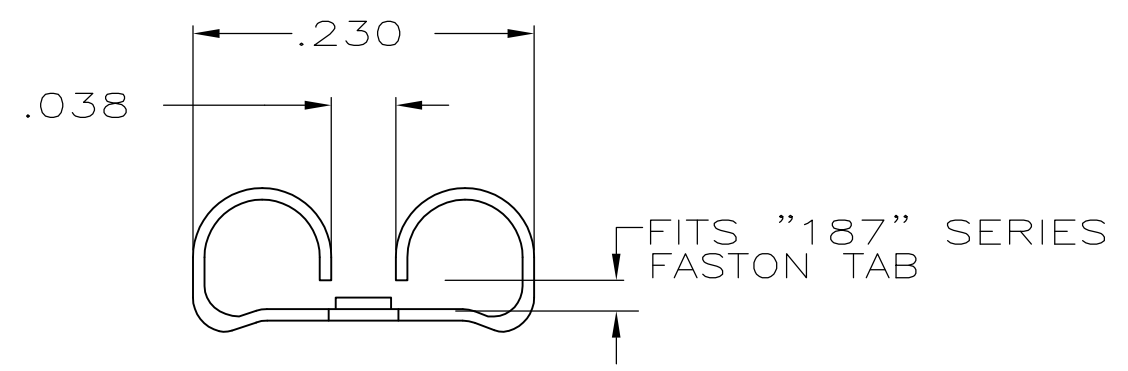
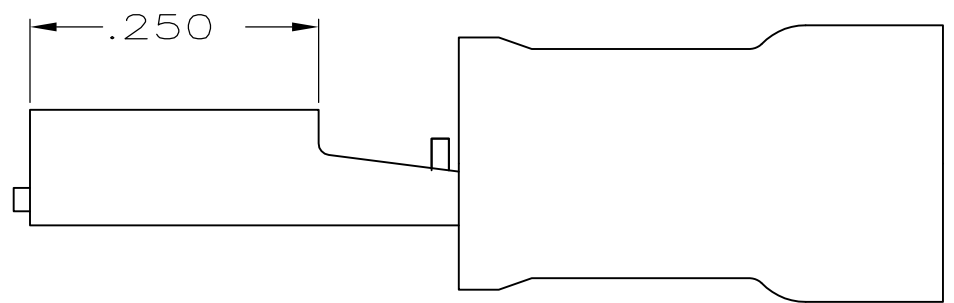
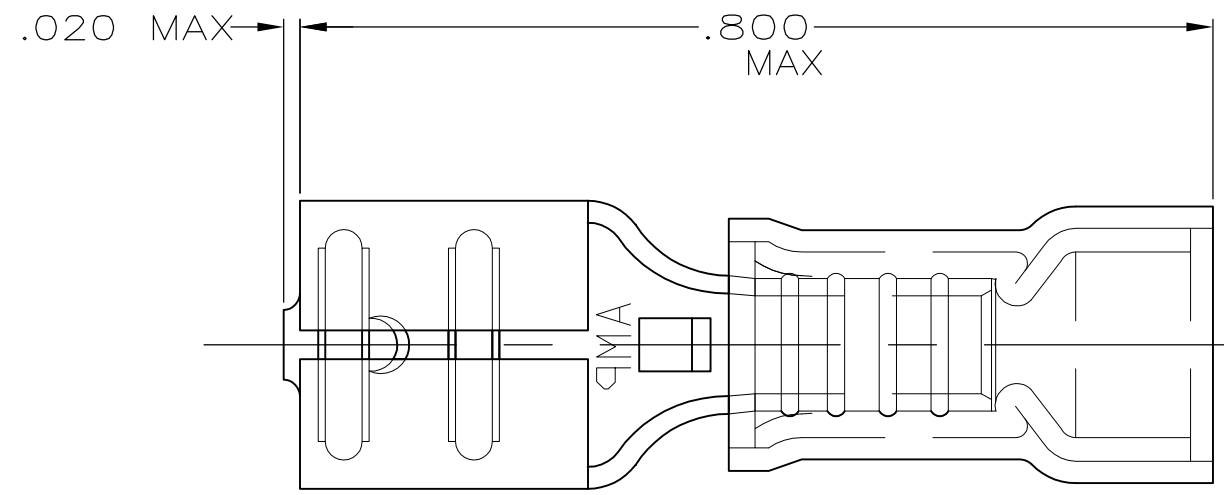


THIS DRAWING IS UNPUBLISHED. RELEASED FOR PUBLICATION
 © COPYRIGHT - By - ALL RIGHTS RESERVED.

LOC	DIST	REVISIONS					
G	14	P	LTR	DESCRIPTION	DATE	DWN	APVD
			L3	REVISED PER ECO-11-004587	11MAR11	RK	HMR



- 1 INSULATION DIA .135 MAX
- 2 FITS TAB .020 THK
- △ 3 SUPERSEDED BY 8-640917-1

△ 3	50	LOOSE PC,BAG	8-640917-5
	100	LOOSE PC,BOX	8-640917-1
	-	TAPE MOUNTED	640917-2
	-	LOOSE PIECE	640917-1
QTY	PACKAGE TYPE		PART NO

AMP INCORPORATED CUSTOMER SERVICE SYSTEM		MAX RECOMMENDED OPERATING TEMPERATURE: 105° C MAX	THIS DRAWING IS A CONTROLLED DOCUMENT.		DWN L OLMEDA 26JUN95	TE Connectivity RECEPTACLE, 187 SERIES, FASTON™, PIDG™, WIRE SIZE: 22-18 AWG			
FOR ADDITIONAL PRODUCT INFORMATION OR COPIES OF DRAWINGS AND TECHNICAL DOCUMENTS	PRODUCT INFORMATION CENTER 1-800-522-6752	VOLTAGE RATING: 300V MAX	DIMENSIONS: INCHES	TOLERANCES UNLESS OTHERWISE SPECIFIED:	CHK M ELLIS 26JUN95				NAME
FOR APPLICATION TOOLING INFORMATION	TOOLING ASSISTANCE CENTER 1-800-722-1111	CIRCULAR MIL AREA: 0.26-0.96mm ² [509-1900] STRANDED		0 PLC ± - 1 PLC ± - 2 PLC ± - 3 PLC ± .005 4 PLC ± - ANGLES ± -	APVD B BARE 26JUN95	APPLICATION SPEC			
FOR ORDER ENTRY	1-800-526-5142	MATERIAL BODY, BRASS .016 SLV, NYLON, COLOR:RED		FINISH BODY, TIN	WEIGHT -	PRODUCT SPEC -	SIZE A3	CAGE CODE 00779	DRAWING NO C-640917
CUSTOMER DRAWING						SCALE NTS	SHEET 1 OF 1	REV L3	

单击下面可查看定价，库存，交付和生命周期等信息

[>>TE Connectivity\(泰科\)](#)