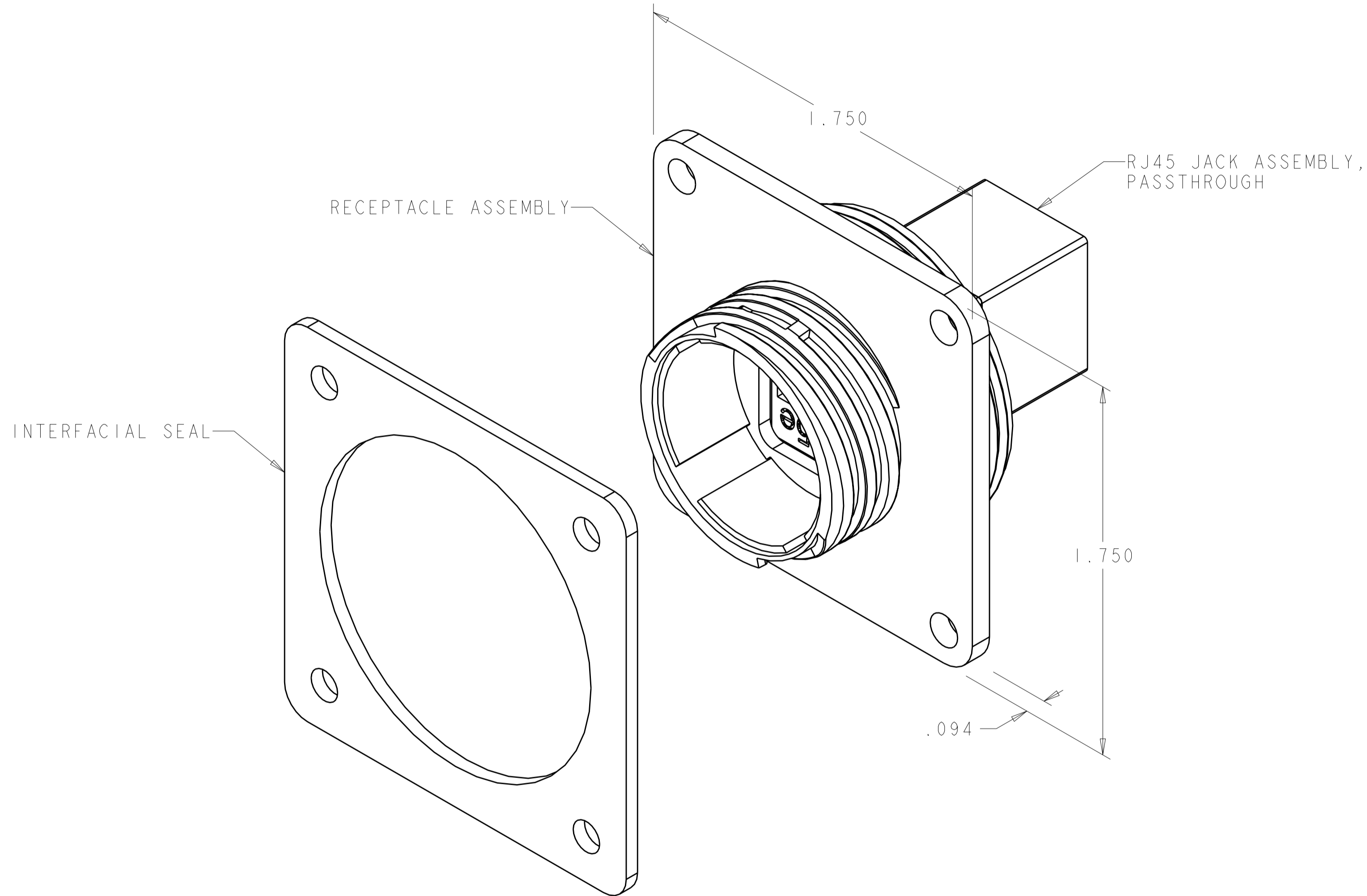


THIS DRAWING IS UNPUBLISHED. RELEASED FOR PUBLICATION 20
 © COPYRIGHT 20 BY TYCO ELECTRONICS CORPORATION. ALL RIGHTS RESERVED.

LOC		DIST		REVISIONS			
P	LTR	DESCRIPTION	DATE	DWN	APVD		
	O	RELEASED EC 063B-0651-04	30JUL2004	SW	HW		
	A	REVISED EC 063B-0734-04	08SEP2004	SW	HW		
	B	REVISED ECO-07-007048	28MAR2007	SW	MS		
	BI	REVISED ECO-07-022509	25SEP2007	SW	MS		



1776186-1
 PART NUMBER

<small>THIS DRAWING IS A CONTROLLED DOCUMENT FOR TYCO ELECTRONICS CORPORATION. IT IS SUBJECT TO CHANGE AND THE CONTROLLING ENGINEERING ORGANIZATION SHOULD BE CONTACTED FOR THE LATEST REVISION.</small>		DWN	S. WELDON	30JUL2004	Tyco Electronics Harrisburg, PA 17105-3608							
DIMENSIONS: INCHES		CHK	H. WAKEEM	30JUL2004								
		APVD	H. WAKEEM	30JUL2004								
TOLERANCES UNLESS OTHERWISE SPECIFIED: 0 PLC ±- 1 PLC ±0.1 2 PLC ±0.02 3 PLC ±0.005 4 PLC ±0.0005 ANGLES ±- FINISH ±-		PRODUCT SPEC	NAME			RECEPTACLE KIT, UNSHIELDED, PASSTHROUGH, CPC INDUSTRIAL ETHERNET						
MATERIAL	-	APPLICATION SPEC	-		SIZE	A2	CAGE CODE	00779	DRAWING NO	1776186	RESTRICTED TO	-
-		WEIGHT	-		SCALE	3:1	SHEET	1	OF	1	REV	BI
CUSTOMER DRAWING												

单击下面可查看定价，库存，交付和生命周期等信息

[>>TE Connectivity\(泰科\)](#)