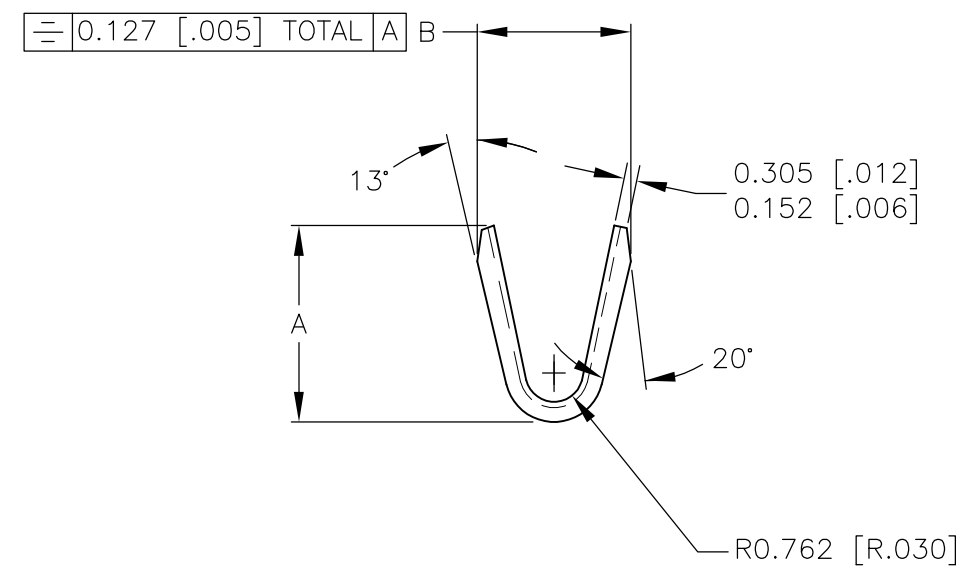
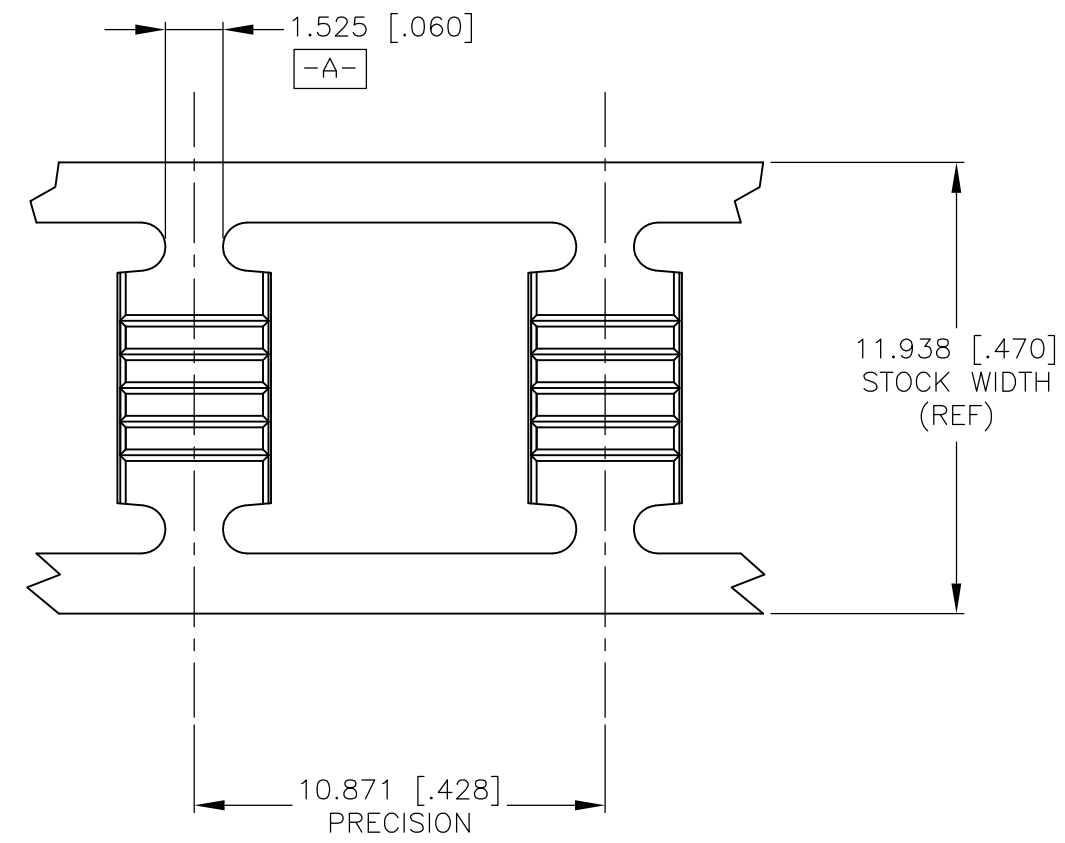
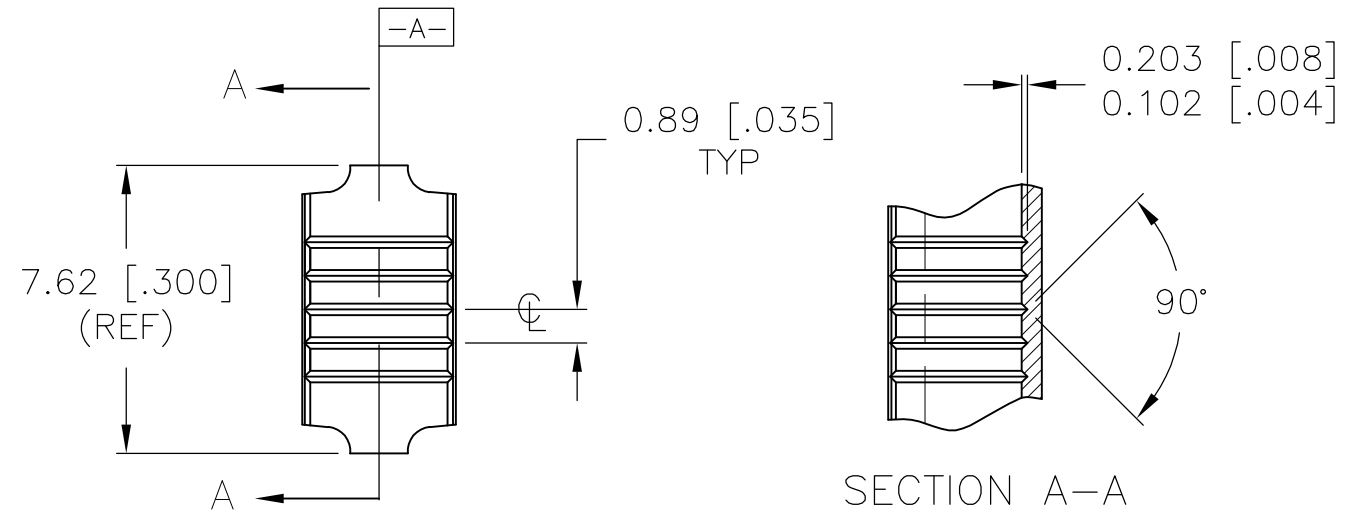


THIS DRAWING IS UNPUBLISHED. RELEASED FOR PUBLICATION
 © COPYRIGHT - By - ALL RIGHTS RESERVED.

LOC	DIST	REVISIONS			
P	LTR	DESCRIPTION	DATE	DWN	APVD
FX	00	C1	REVISED PER ECO-14-014100	09OCT2014	DD WW



-	-	-	-	-
3.57/3.05 [.14/.12]	4.191/3.429 [.165/.135]	14	1438255-2	-
4.06/3.57 [.16/.14]	5.207/4.445 [.205/.175]	12	1438255-1	2-1438255-1
B	A	WIRE GAGE	TE P/N	LOOSE PIECE P/N

THIS DRAWING IS A CONTROLLED DOCUMENT.		DWN JR BUSSARD 12 JUNE 2003	TE TE Connectivity	
DIMENSIONS: mm [INCHES]		CHK DM REVAK 12 JUNE 2003		
TOLERANCES UNLESS OTHERWISE SPECIFIED:		APVD DM REVAK 12 JUNE 2003	NAME SPLICE CLIP	
0 PLC ± -		PRODUCT SPEC		
1 PLC ± -		APPLICATION SPEC	SIZE	CAGE CODE
2 PLC ± 0.25 [.01]		WEIGHT	A2	00779
3 PLC ± 0.13 [.005]		CUSTOMER DRAWING	DRAWING NO C=1438255	
4 PLC ± -		SCALE	5:1	SHEET
ANGLES ± 2°		RESTRICTED TO	1 OF 1	
MATERIAL CA260 1/2 HARD	FINISH	REV	C1	

1438255

单击下面可查看定价，库存，交付和生命周期等信息

[>>TE Connectivity\(泰科\)](#)