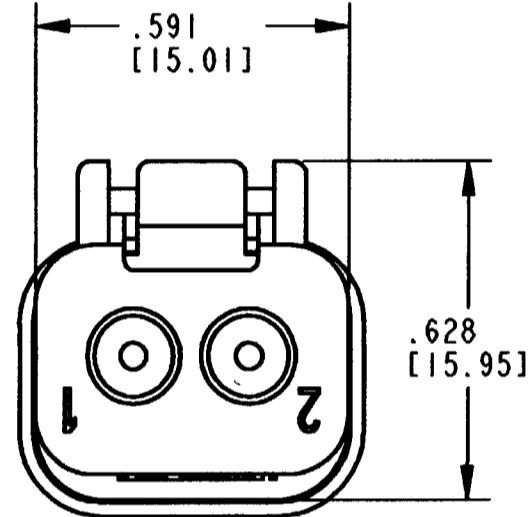
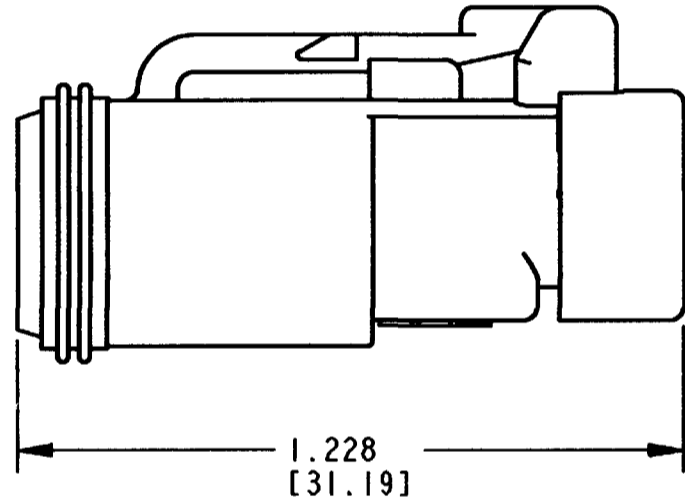
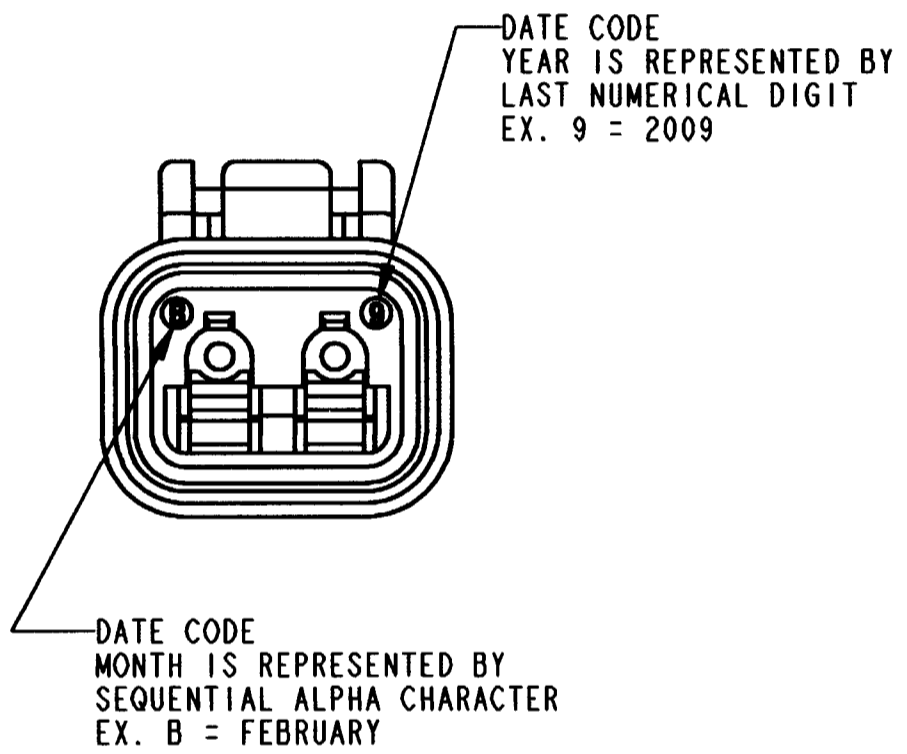


REV	DT06-2S-FP02	REVISIONS			
NC		SYM	DESCRIPTION	DATE	APPROVED
		NC	NEW RELEASE PER E.O. PI9756	3-17-08	RDR



- 5. MATERIAL - SHELL: PLASTIC; COLOR: BLACK
SEAL: FLOUROSILICONE RUBBER
- 4. THIS PLUG MATES WITH THE DT04-2P-**** RECEPTACLE.
(**** = ALL MODIFICATIONS) CONSULT FACTORY FOR MODIFICATIONS.

CONTACT SIZE	MIN. INSUL. O.D.	MAX. INSUL. O.D.	WIRE RANGE [mm ²] REF ONLY
16	.088 [2.24]	.145 [3.68]	14-20 AWG [2.0-0.5]

- 3. FOR CONTACT AND WIRE PERFORMANCE AND APPLICATION CHARACTERISTICS SEE ENVELOPE DRAWINGS 0425-015-0000 AND 0425-017-0000.
 - 2. ALL DIMENSIONS ARE ±.025[.64] UNLESS OTHERWISE SPECIFIED.
 - 1. ALL DIMENSIONS ARE IN INCHES [MILLIMETERS].
- NOTES:

SIGNATURE & DATE	
DR	R. MESSENGER 2/27/08
CHK	[Signature] 3/17/08
PE	R. Messenger 2/27/08
APPD	[Signature] 2-27-08
SCALE	NONE WT

2 WAY PLUG
FLOUROSILICONE SEAL
SEAL RETENTION
END CAP
DT SERIES

ENVELOPE

EP	MATL. CODE
3850 INDUSTRIAL AVE. HEMET, CA 92545	
DEUTSCH INDUSTRIAL	
B	DT06-2S-FP02
DWG SIZE	CODE 11139 SHEET 1 OF 1

单击下面可查看定价，库存，交付和生命周期等信息

[>>TE Connectivity\(泰科\)](#)