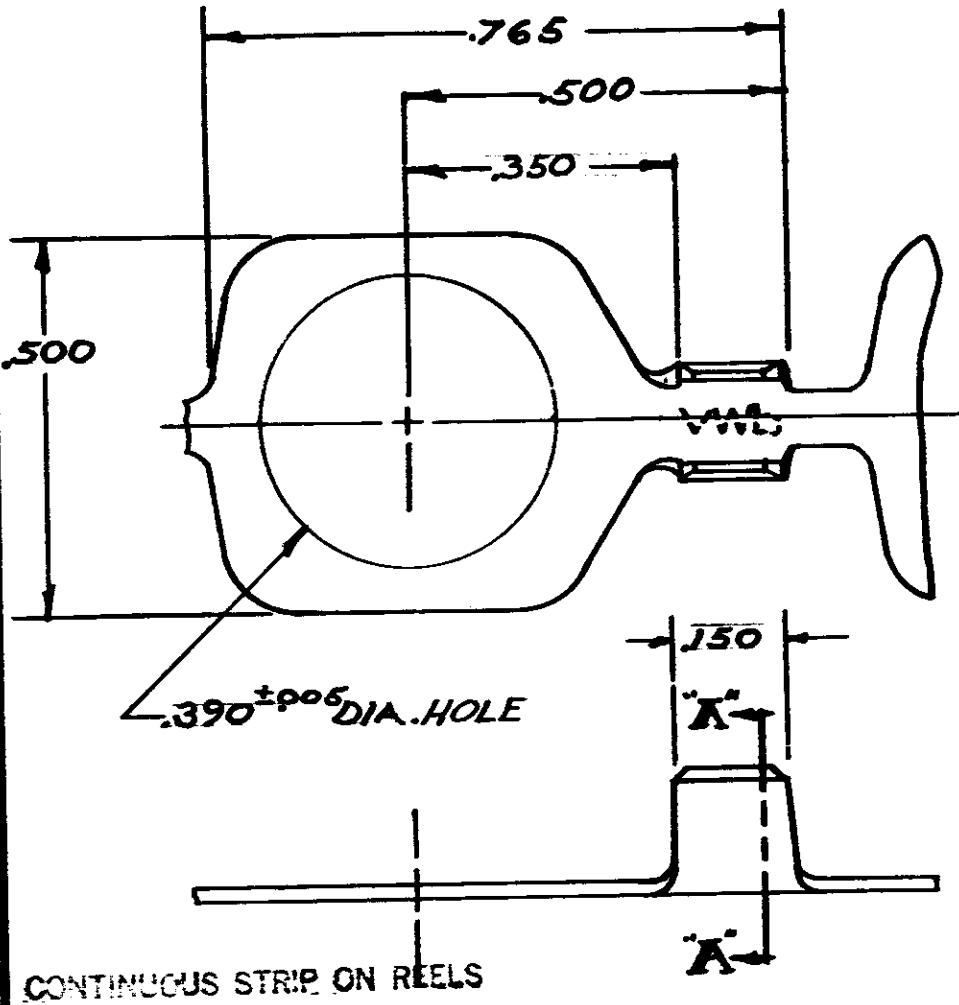


DRAWING MADE IN AMERICAN PROJECTION

NUMBER 61435

5



WIRE SIZE A.W.G.	MATERIAL - FINISH	TERMINAL NUMBER
18-14	.020 BRASS - NONE	61435-1
<del>18-14</del>	<del>.020 BRASS - TIN</del>	<del>61435-2</del>

DIMENSIONS IN INCHES DO NOT SCALE PRINT

Unpublished copy not to be reproduced nor published without written permission of AMP Incorporated

© 1968 BY AMP INCORPORATED. ALL RIGHTS RESERVED. AMP PRODUCTS COVERED BY PATENTS AND/OR PATENTS PENDING.

**CUSTOMER COPY REFERENCE ONLY**

MATERIAL AND FINISH	
X	
WIRE RANGE	INSULATION
TOLERANCE EXCEPT AS NOTED ± .015 ± 1" 0'	
SCALE	
NAME	



AMP INCORPORATED HARRISBURG, PENNA.

CLASS	N	
TYPE	N	
LOC	NO	REV
AMP	61435	C

DR	7-9-68	DE	7-9-68
N. E. NEFF		M. P. Frantz	
CHK		7-9-68	

RING

单击下面可查看定价，库存，交付和生命周期等信息

[>>TE Connectivity\(泰科\)](#)