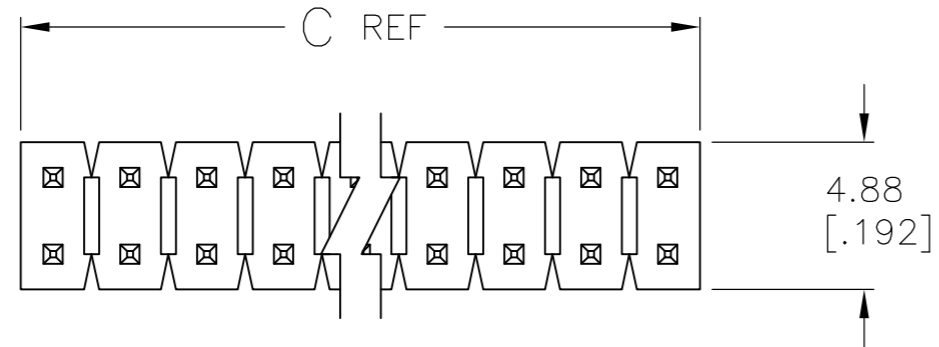
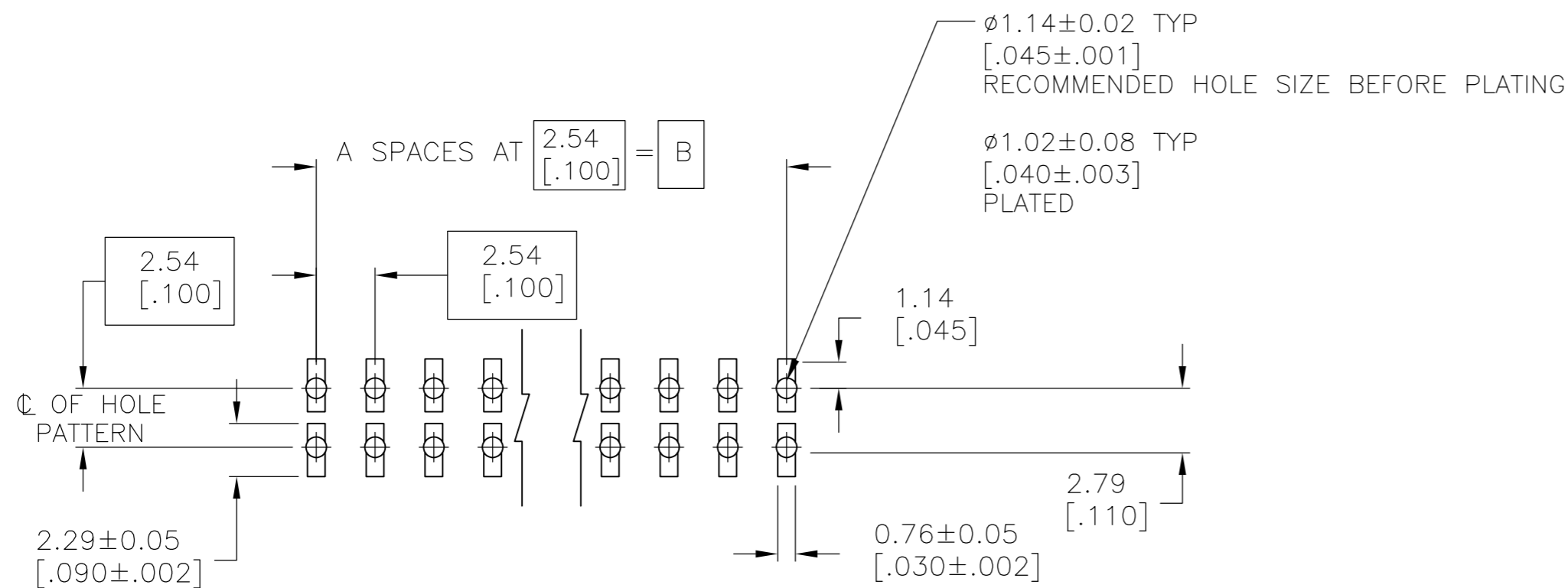
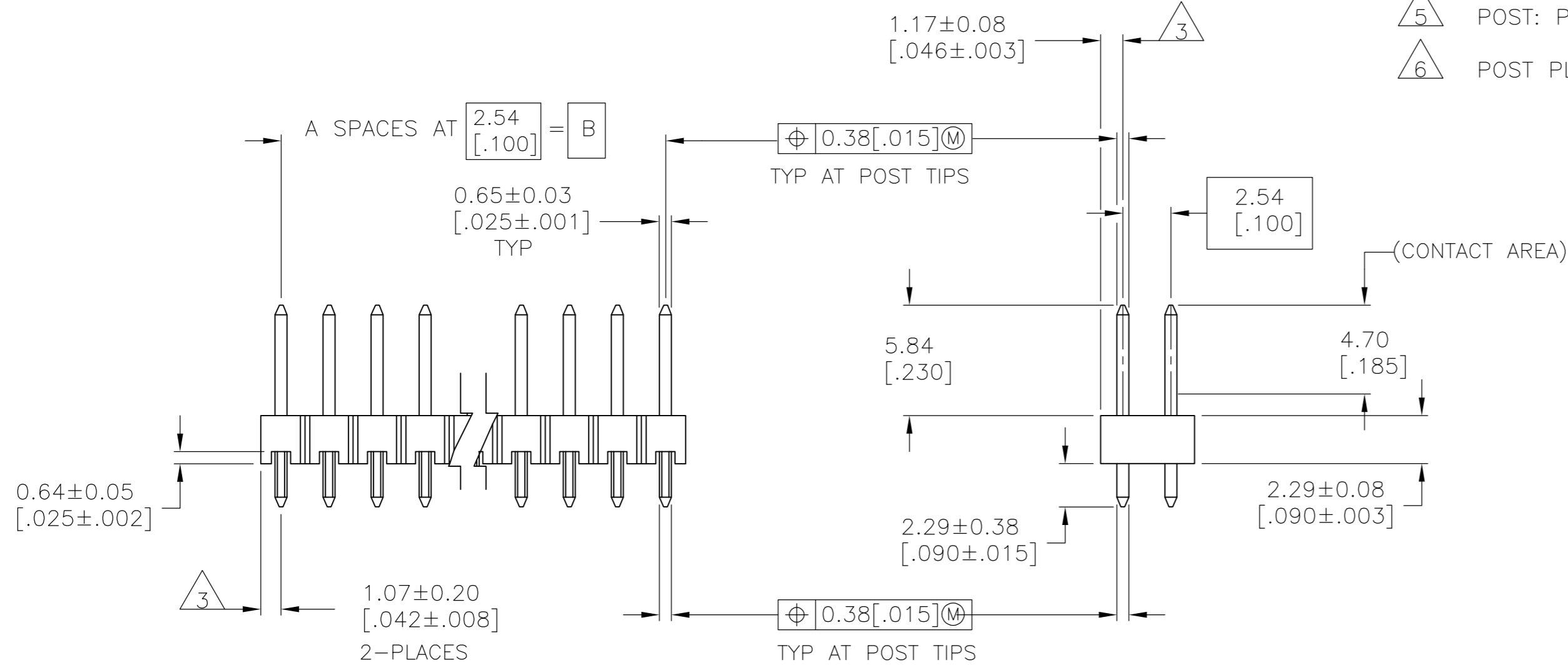


THIS DRAWING IS UNPUBLISHED. RELEASED FOR PUBLICATION
 © COPYRIGHT - By - ALL RIGHTS RESERVED.

LOC		DIST		REVISIONS			
P	LTR	DESCRIPTION		DATE	DWN	APVD	
		C		REVISED PER ECO-14-006554	08MAY2014	NK	MM



- 1 ASSEMBLY MAY BE BROKEN TO THE DESIRED NUMBER OF POSITIONS.
- 2 TRUE POSITION TOLERANCE OF THE POST TIPS APPLIES WHEN THE HEADER IS HELD FLAT AGAINST THE PRINTED CIRCUIT BOARD.
- 3 THE NOTED DIMENSIONS APPLY AT THE INTERSECTION OF THE POST AND HOUSING.
- 4 HOUSING: LCP, COLOR-BLACK.
- 5 POST: PHOSPHOR BRONZE.
- 6 POST PLATING: 0.000076[.000003] MIN GOLD OVER 0.00068[.000027] Pd/Ni ON CONTACT AREA, 0.00254-0.00508 [.000100-.000200] MATTE TIN ON SOLDER TAIL, ALL OVER 0.00127 [.000050] NICKEL.



RECOMMENDED PC BOARD MOUNTING DIMENSIONS
 FOR 1.60 [.063] THICK PC BOARD AND
 0.305 [.0120] STENCIL THICK

PLATING	C	B	A	NO. OF POSITIONS	PART NUMBER
6	101.19 [3.984]	99.06 [3.900]	39	80	8-1977947-0
6	-	-	0	2	1977947-2

THIS DRAWING IS A CONTROLLED DOCUMENT.		DWN KIRAN HOLAL 30-08-2013			
DIMENSIONS: mm [INCHES]		CHK MIKE MILLER 30-08-2013			
TOLERANCES UNLESS OTHERWISE SPECIFIED:		APVD MIKE MILLER 30-08-2013	NAME		
0 PLC ± -		PRODUCT SPEC	HEADER ASSEMBLY, MOD, BREAKAWAY, DOUBLE ROW, VERTICAL, HIGH TEMPERATURE, 30 Pd/Ni		
1 PLC ± -		APPLICATION SPEC	SIZE	CAGE CODE	DRAWING NO
2 PLC ± 0.51[.02]			A2	00779	C=1977947
3 PLC ± 0.127[.005]			WEIGHT	SCALE	SHEET
4 PLC ± 0.0127[.0005]			-	4:1	1 OF 1
ANGLES ± -			CUSTOMER DRAWING	REV	C
FINISH SEE TABLE					

单击下面可查看定价，库存，交付和生命周期等信息

[>>TE Connectivity\(泰科\)](#)