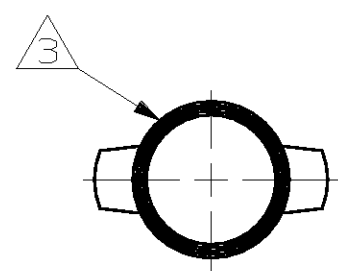
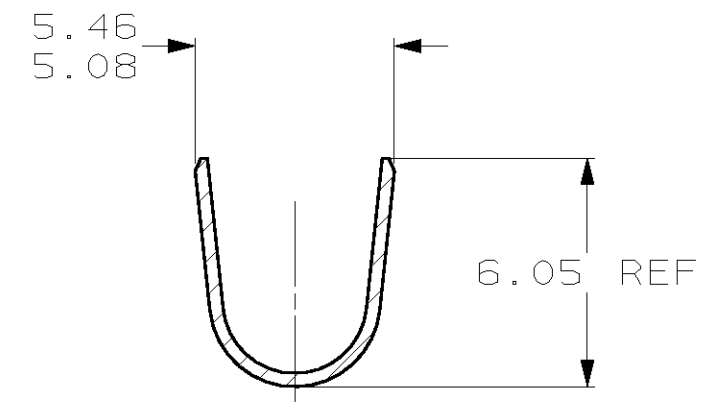
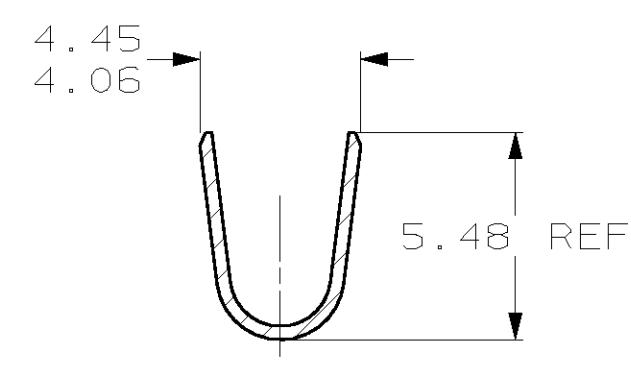
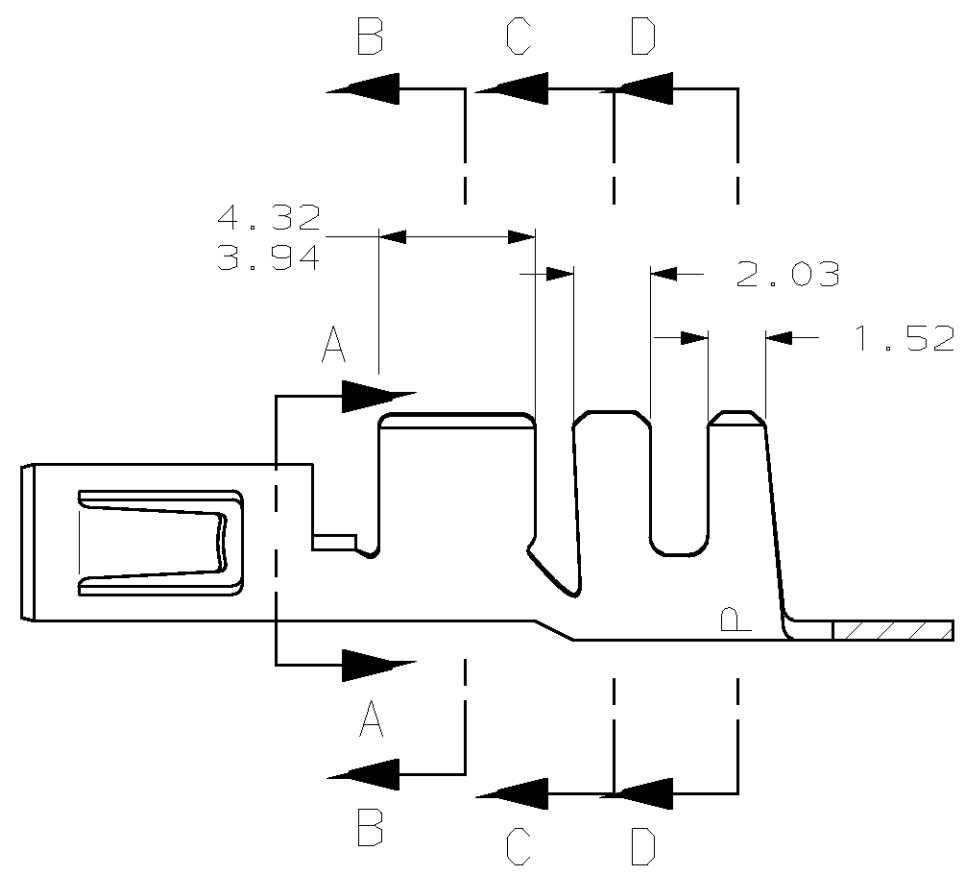
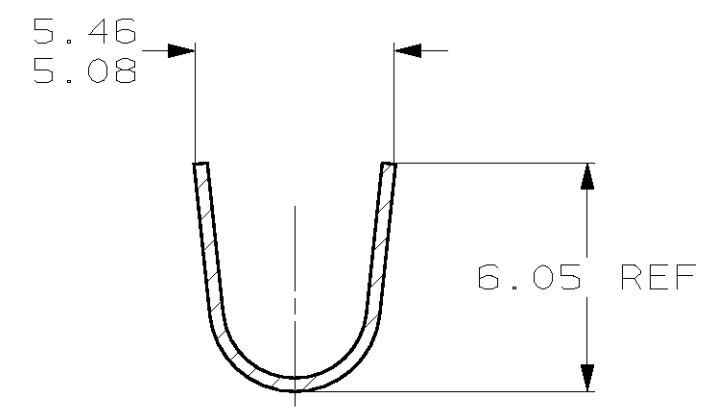
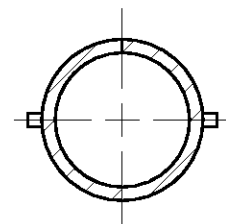
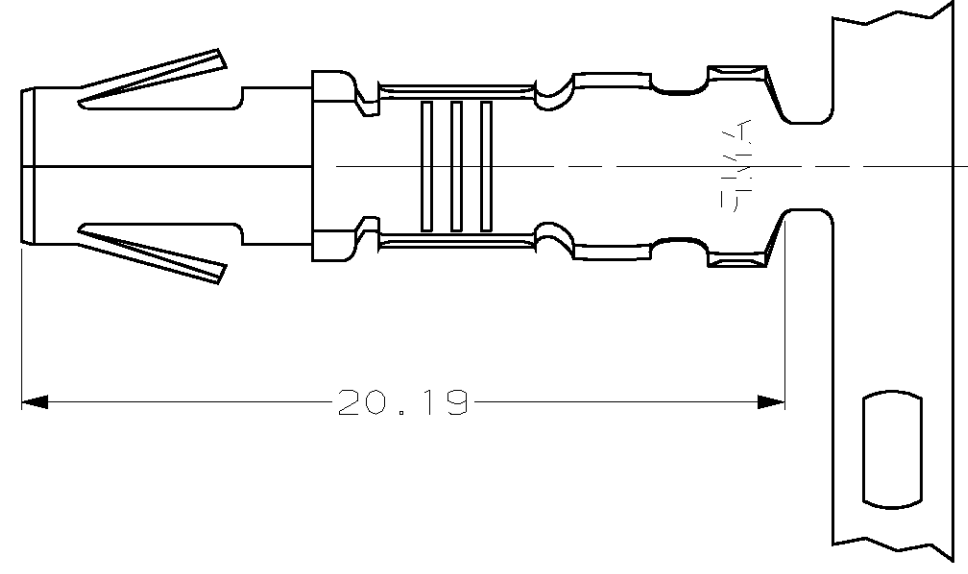


THIS DRAWING IS UNPUBLISHED. RELEASED FOR PUBLICATION .19  
 (C) COPYRIGHT 19 BY AMP INCORPORATED. ALL RIGHTS RESERVED.

| LOC |     | DIST        |  | REVISIONS                       |         |      |    |
|-----|-----|-------------|--|---------------------------------|---------|------|----|
| P   | LTR | DESCRIPTION |  | DATE                            | DWN     | APVD |    |
| CM  | 53  | E           |  | REV & REDWN PER EC 0G1B-0217-98 | 29OCT98 | TB   | RS |

1. WIRE RANGE: 2 - 6 mm<sup>2</sup> (14 - 10 AWG)
2. INSULATION RANGE: 2.54 - 4.57
3. FRICTION FIT ON A 3.56 DIAMETER PIN.



|         |             |             |
|---------|-------------|-------------|
| PRE TIN | 0.36 PH BRZ | 350200-2    |
| PRE TIN | 0.35 BRASS  | 350200-1    |
| FINISH  | MATERIAL    | PART NUMBER |

|      |      |      |      |      |      |       |      |
|------|------|------|------|------|------|-------|------|
| 2.03 | .080 | 4.32 | .170 | 5.48 | .216 | -     | -    |
| 1.52 | .060 | 4.06 | .160 | 5.46 | .215 | -     | -    |
| 0.36 | .014 | 3.94 | .155 | 5.08 | .200 | -     | -    |
| 0.35 | .014 | 3.56 | .140 | 4.57 | .180 | 20.19 | .795 |
| 0.13 | .005 | 2.54 | .100 | 4.45 | .175 | 6.05  | .238 |
| MM   | IN   | MM   | IN   | MM   | IN   | MM    | IN   |

CONVERSION TABLE

**METRIC**

THIS DRAWING IS A CONTROLLED DOCUMENT.

|      |           |           |
|------|-----------|-----------|
| DWN  | T. BECK   | 29OCT1998 |
| CHK  | R. SWING  | 29OCT1998 |
| APVD | C. MARTIN | 16NOV1998 |

AMP Incorporated  
Harrisburg, PA 17105-3608

**AMP**

SOCKET, .140 PIN & SOCKET CONNECTOR

|        |    |                  |       |            |        |               |     |   |
|--------|----|------------------|-------|------------|--------|---------------|-----|---|
| SIZE   | A2 | CAGE CODE        | 00779 | DRAWING NO | 350200 | RESTRICTED TO | -   |   |
| WEIGHT | -  | CUSTOMER DRAWING | SCALE | 5:1        | SHEET  | 1 OF 1        | REV | E |

350200

单击下面可查看定价，库存，交付和生命周期等信息

[>>TE Connectivity\(泰科\)](#)