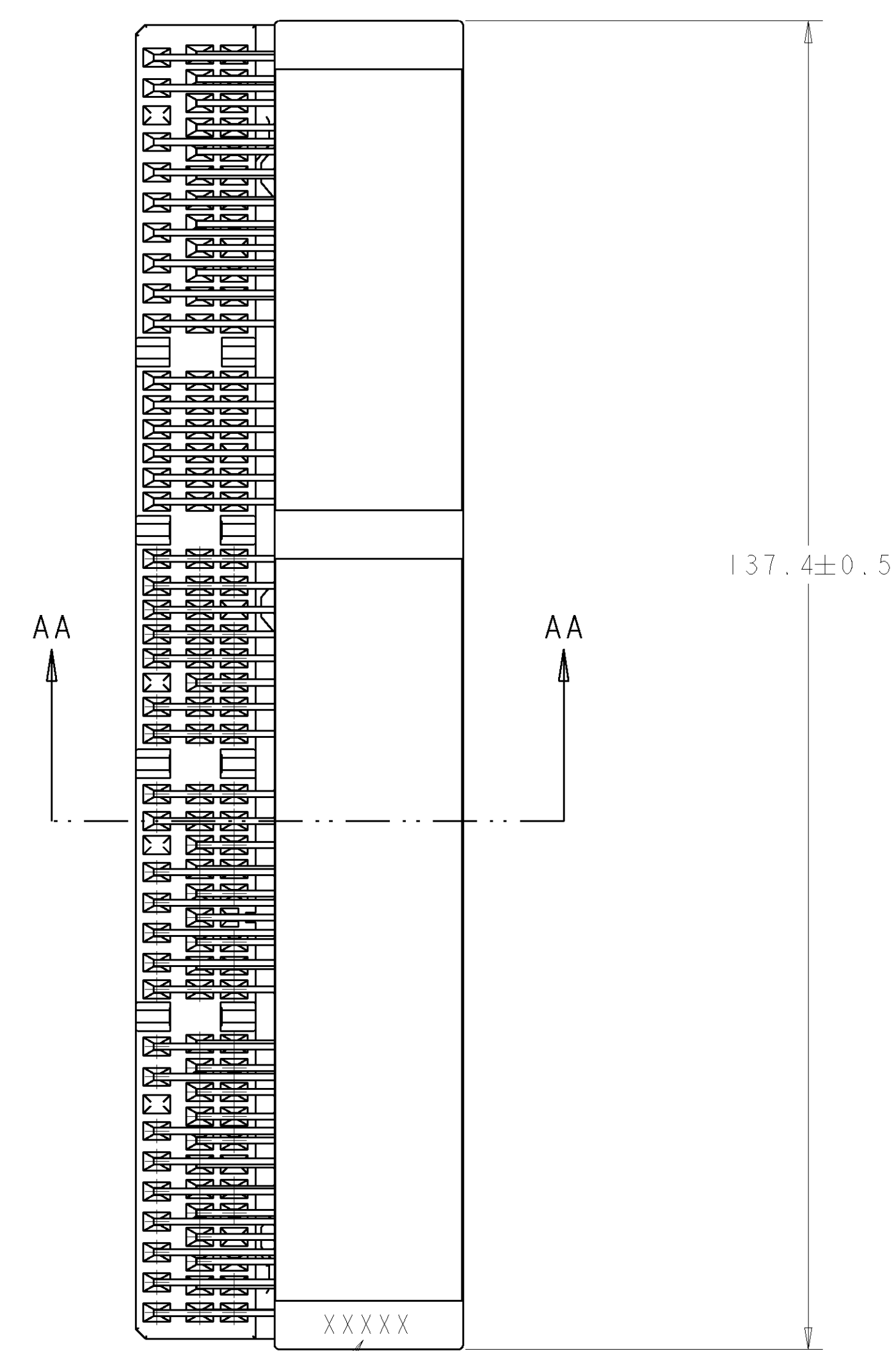
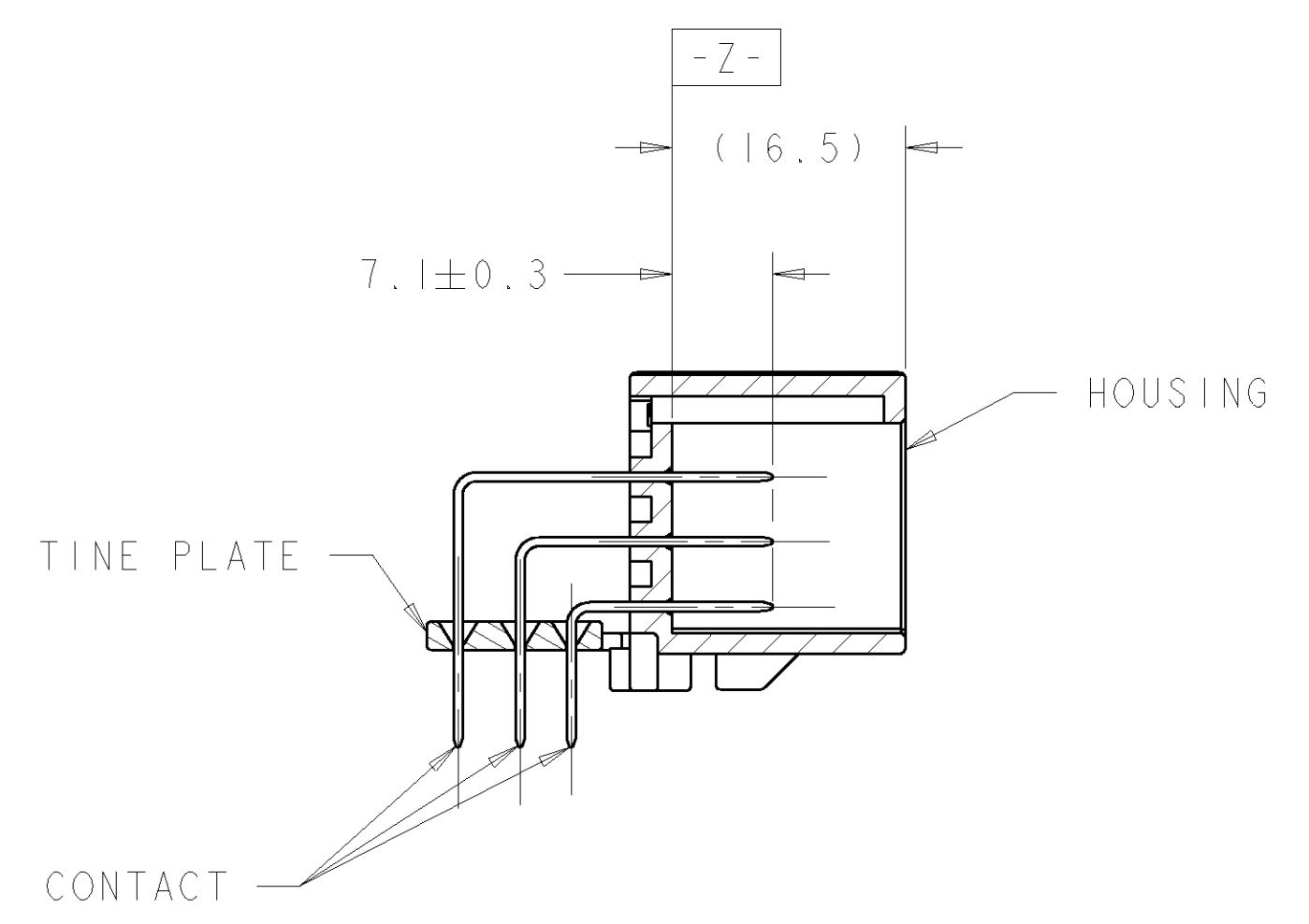
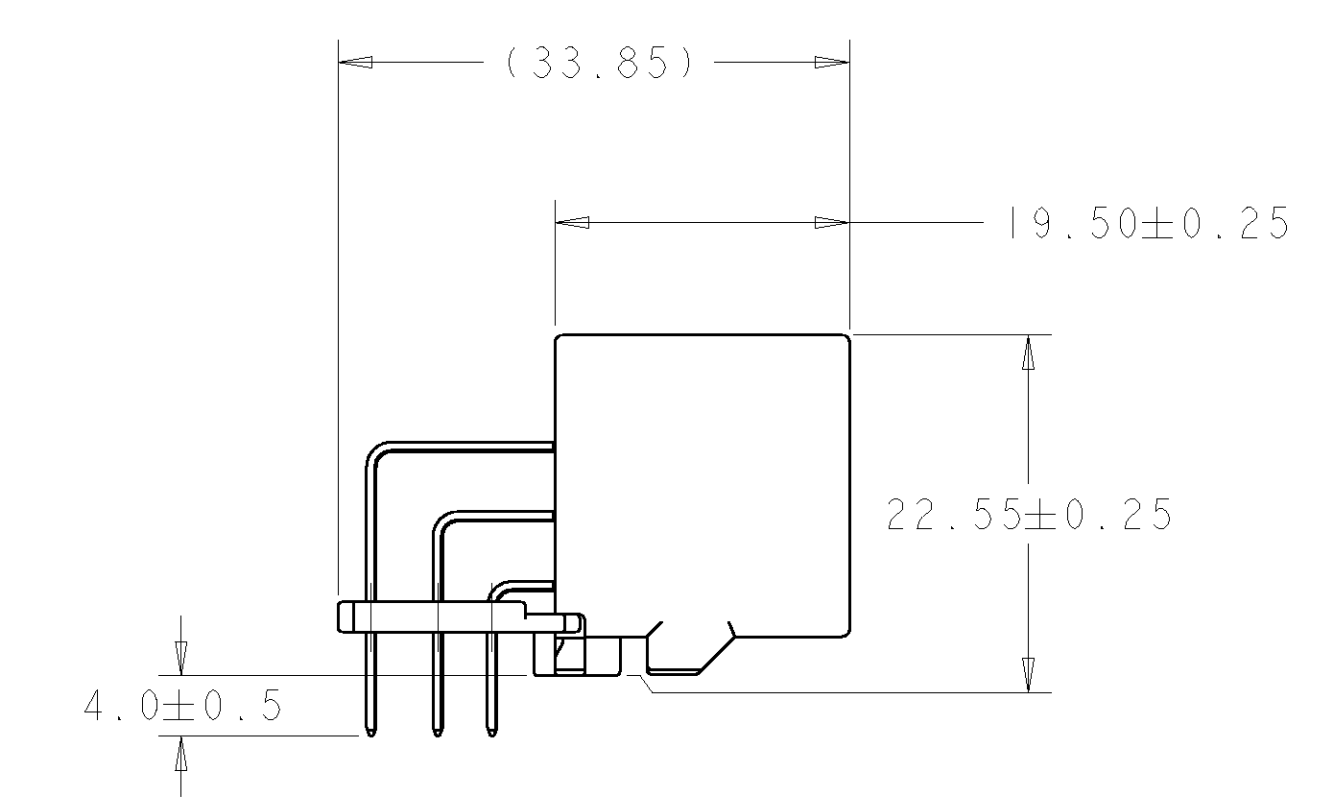
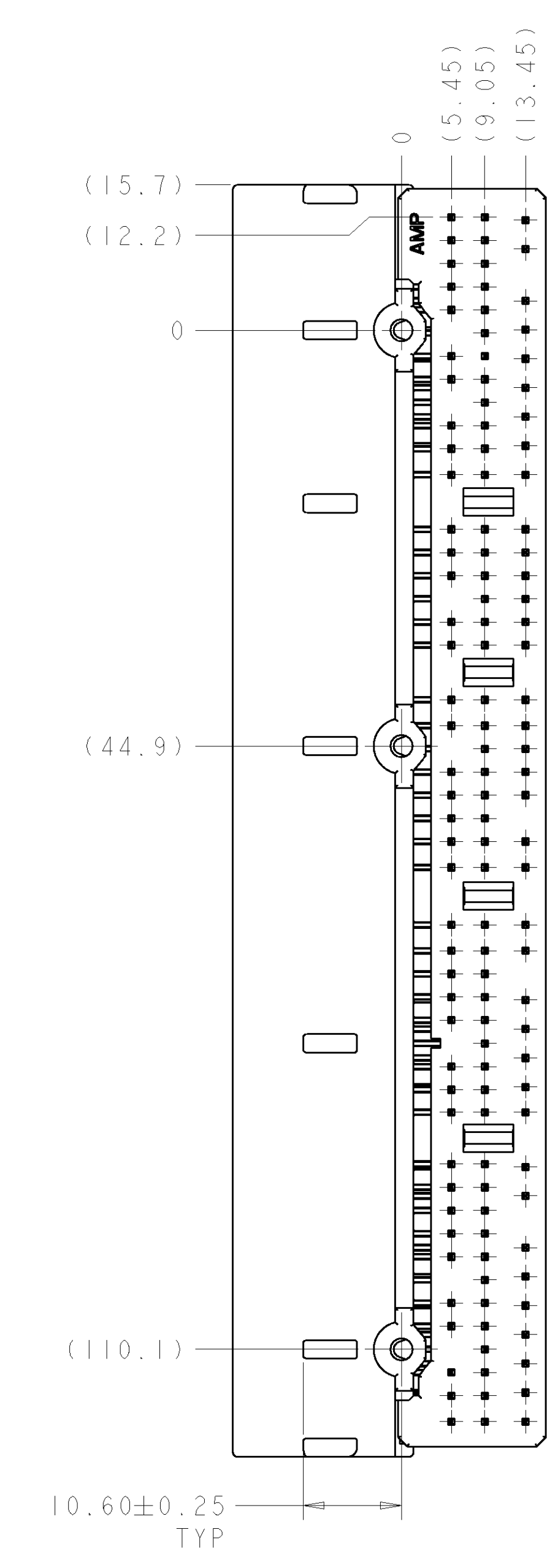
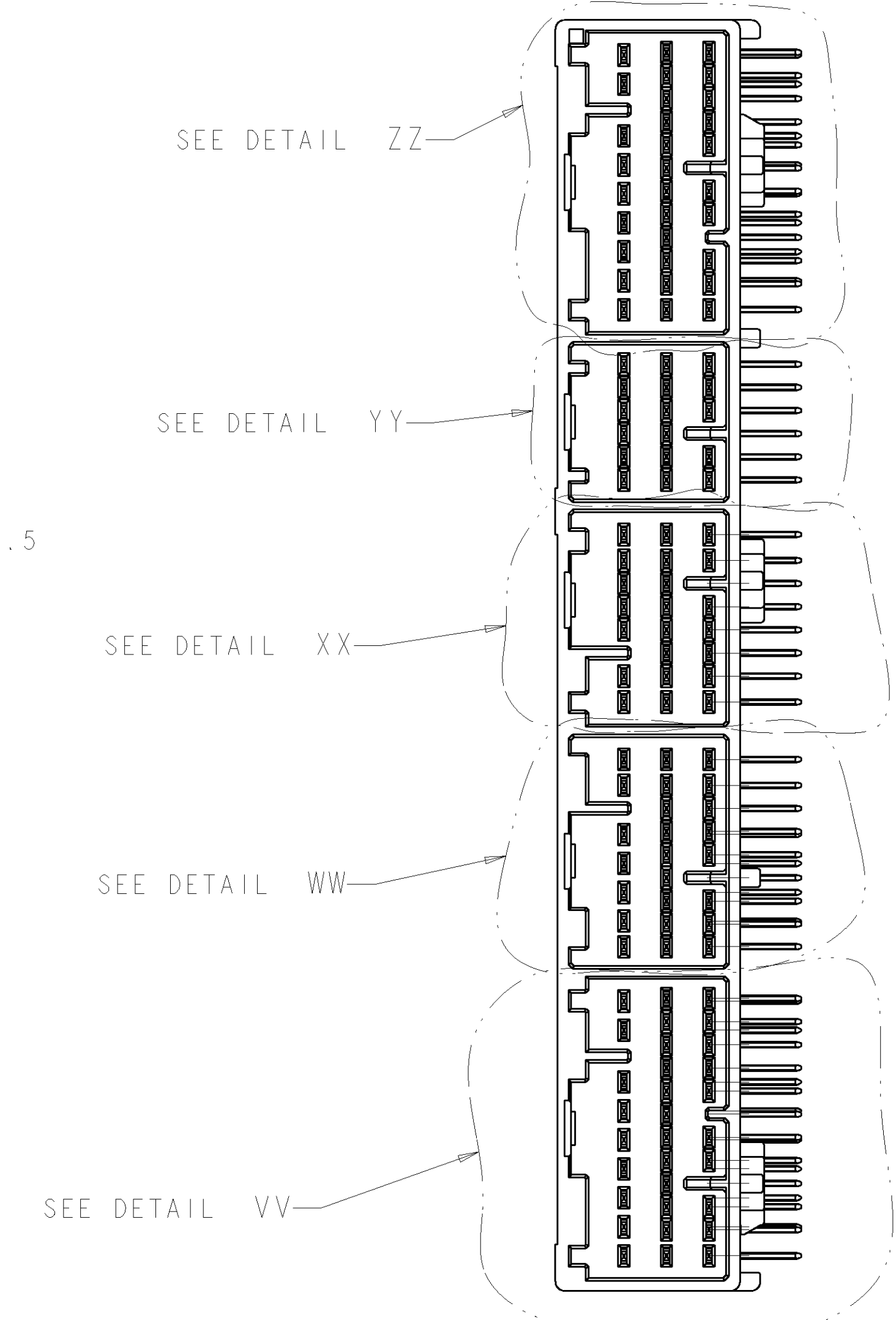


LOC		DIST		REVISIONS			
F	LTR	DESCRIPTION	DATE	DWN	APPR		
A		0K80-0121-02	13MAY2002	RGV	GEM		



137.4±0.5



SECTION AA-AA  
SCALE 2:1

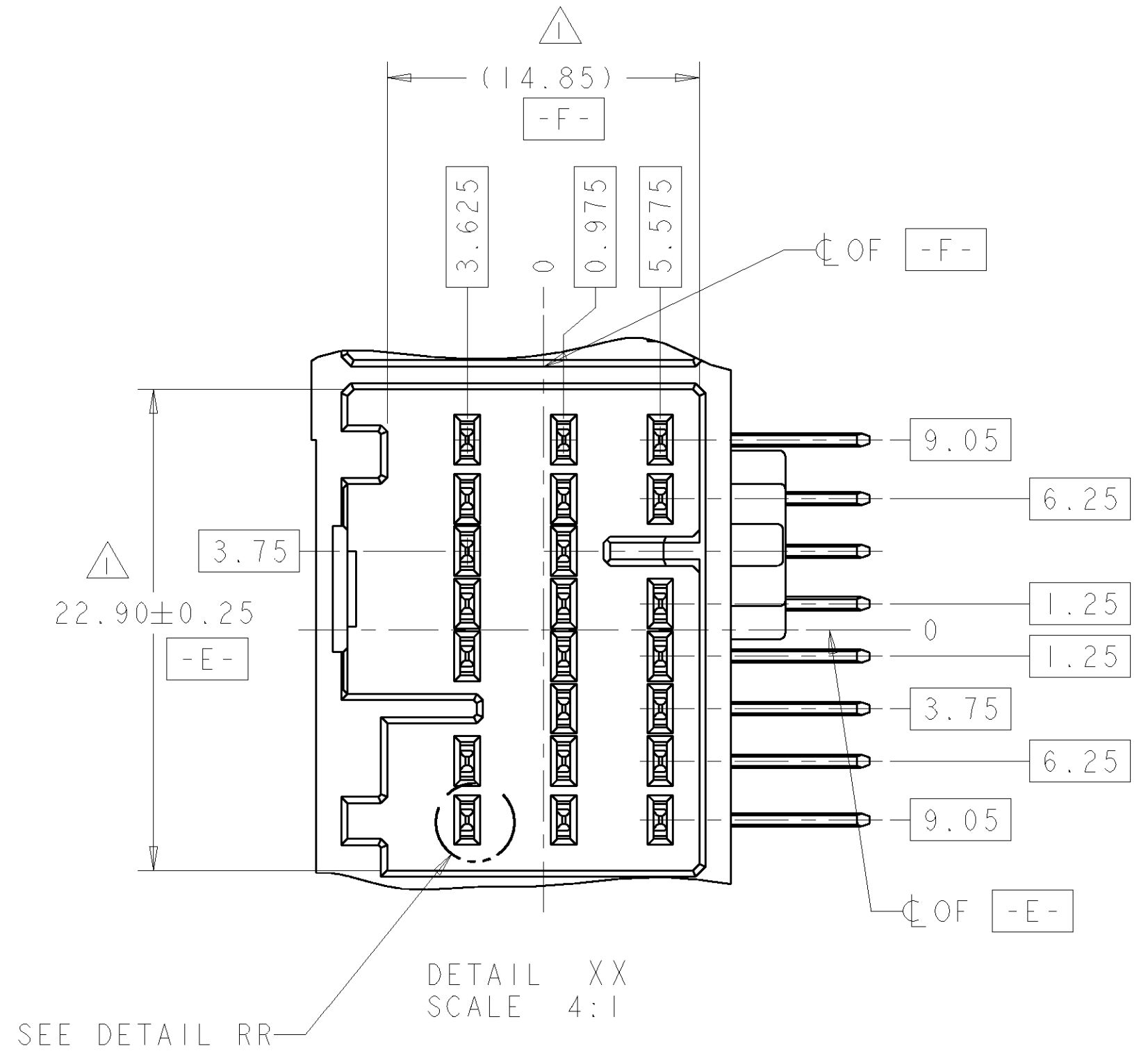
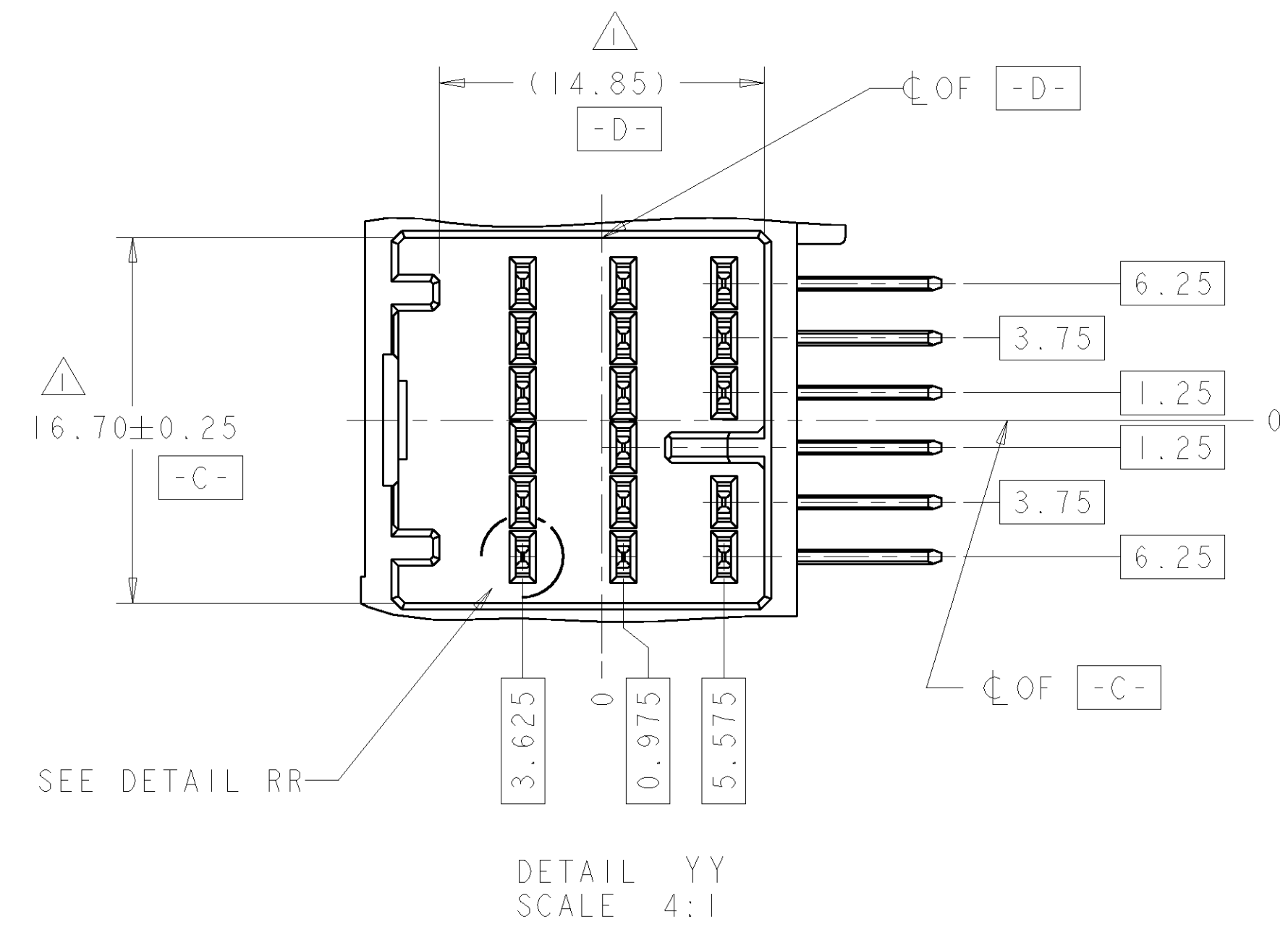
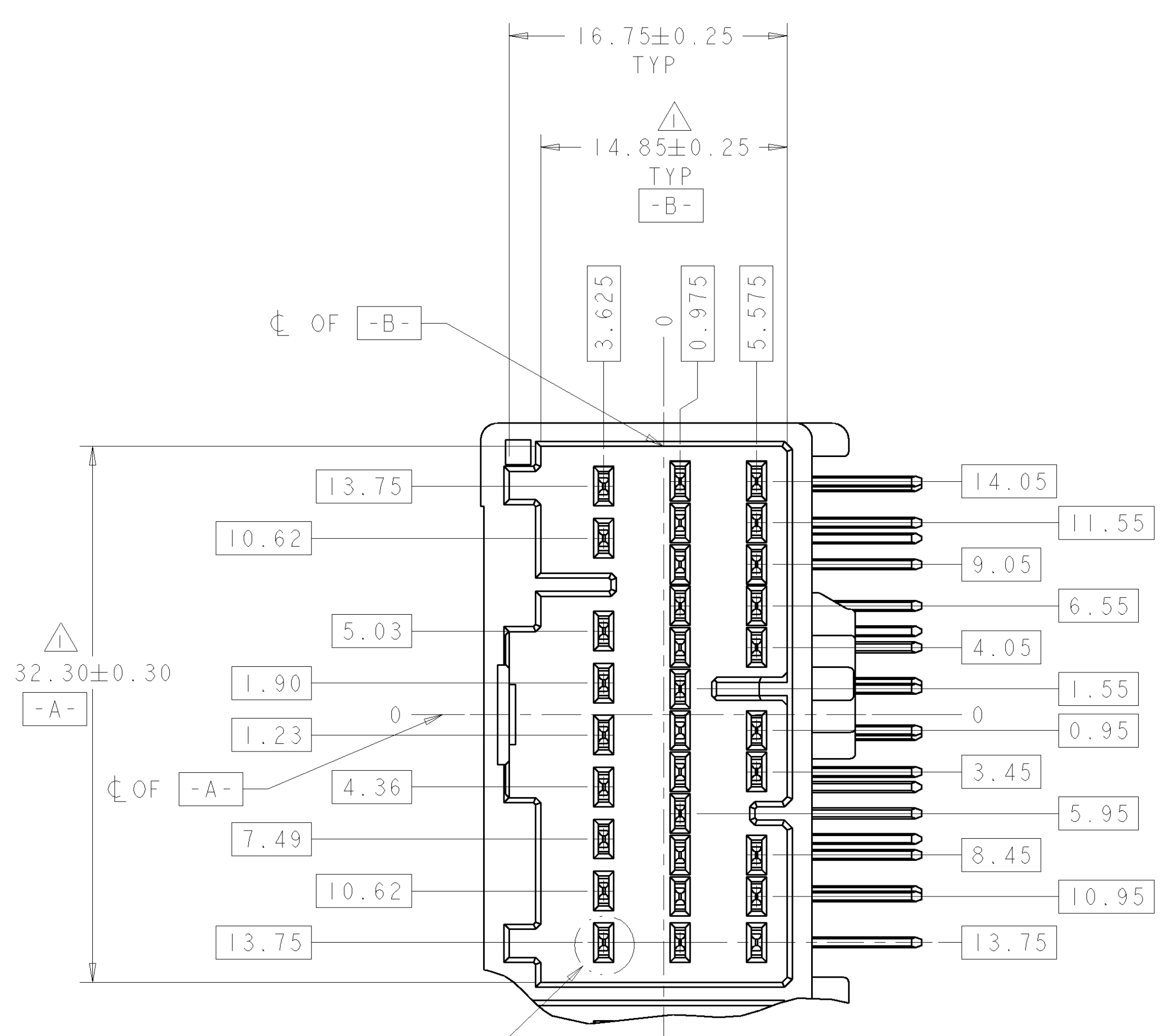
- △ TO BE MEASURED AT 7.5mm FROM -Z-
- 2. POWER CIRCUITS 35 PLACES, SEE FIG. 1
- 3. FOR CIRCUIT NUMBERS SEE FIG. 1
- △ DATE CODE
- 5. TO BE MATED SMOOTHLY WITH PLUG HOUSINGS  
 17 POS: 353027  
 22 POS: 353028  
 24 POS: 353029  
 31 POS: 1318682, 353826
- 6. RECOMMENDED SCREW: PAN-HEADED, TYPE 2 TAPPING SCREW,  
 3.0 DIA X 6.0 LONG MAX. PER JIS B1115, B1122
- 7. FASTENING TORQUE FOR SCREW 0.392Nm MAX
- △ TO BE DETERMINED BY CUSTOMER

PBT	NATURAL	COPPER ALLOY	PRE-TIN	PBT	NATURAL	1438361-1
MATERIAL	FINISH	MATERIAL	FINISH	MATERIAL	COLOR	PART NO
TINE PLATE			CONTACT			HOUSING
DIMENSIONS: mm TOLERANCES UNLESS OTHERWISE SPECIFIED: 0 PLC ±0.30 1 PLC ±0.30 2 PLC ±0.30 3 PLC ±0.30 4 PLC ±0.30 ANGLES ±° ±1°						
MATERIAL SEE TABLE		FINISH SEE TABLE		WEIGHT 42.2g		CUSTOMER DRAWING
DWN R. VESTAL 13MAY2002		CHK G. MILLER 13MAY2002		APPR G. MILLER 13MAY2002		NAME
TYCO Electronics		Tyco Electronics		Harrisburg, PA 17105-3608		RESTRICTED TO
ASSEMBLY, 125 POSITION, HD111				SIZE CAGE CODE DRAWING NO		REV A
A 00779 C=1438361				SCALE 2:1		SHEET 1 OF 3

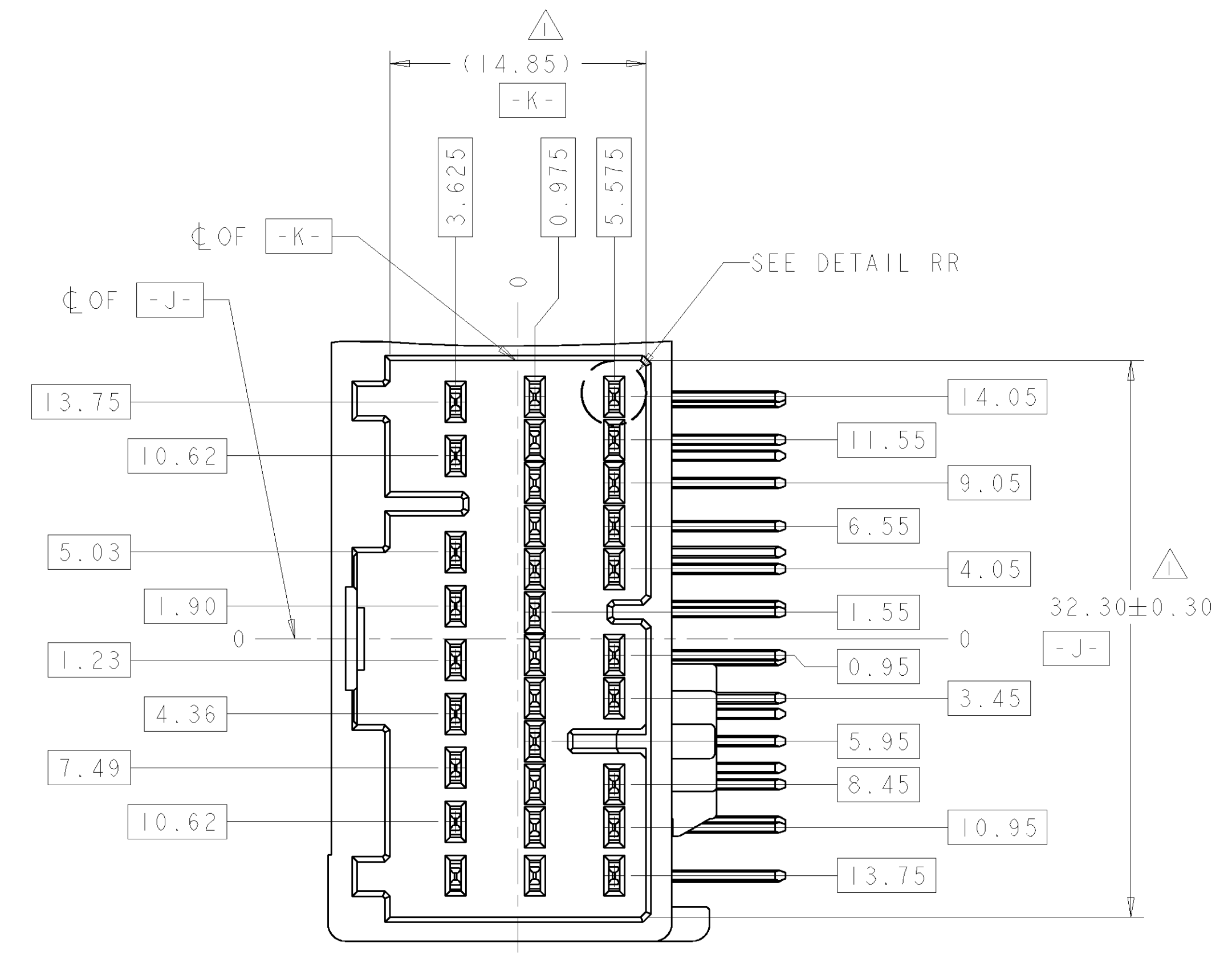
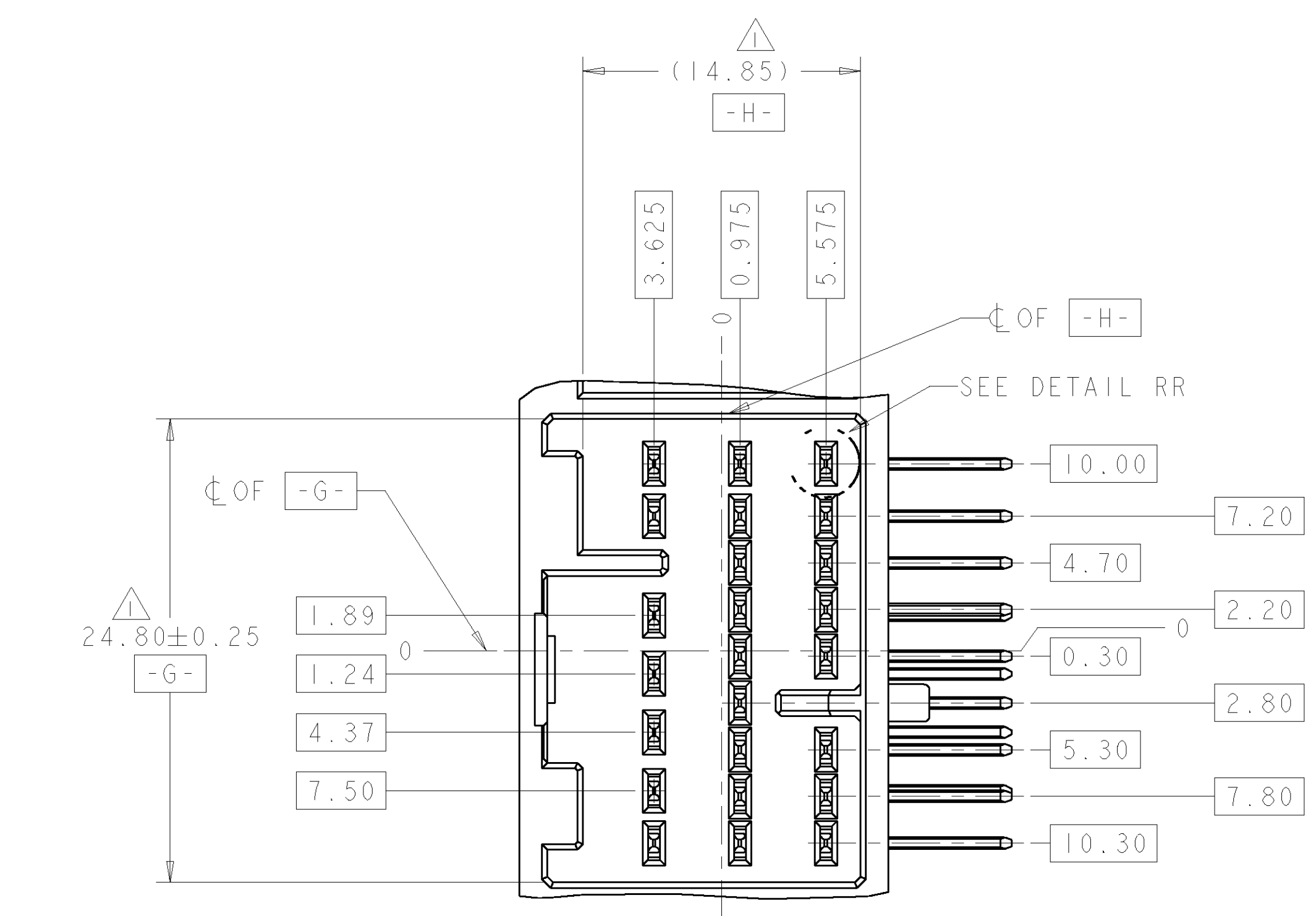
LOC	DIST	REV	DATE	BY	APPD
FX	00				

REVISIONS		DATE	BY	APPD
-	SEE SHEET 1	-	-	-



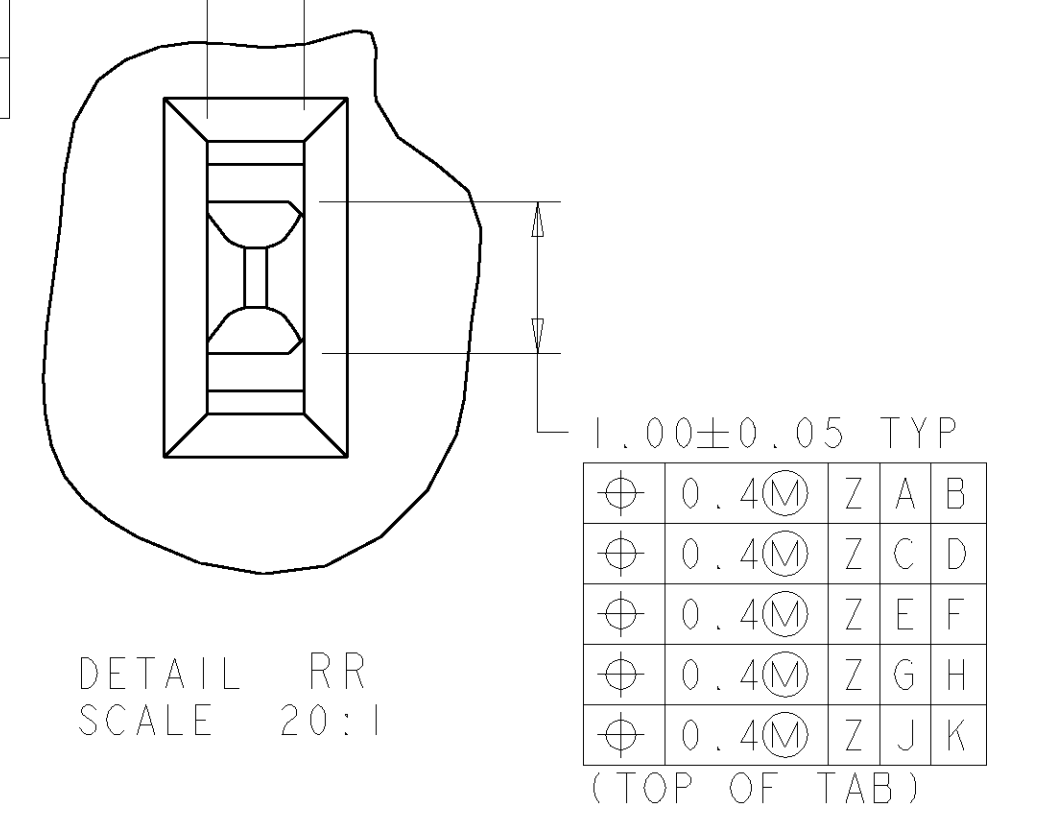
SEE DETAIL RR  
DETAIL ZZ  
SCALE 4:1



0.640±0.025 TYP

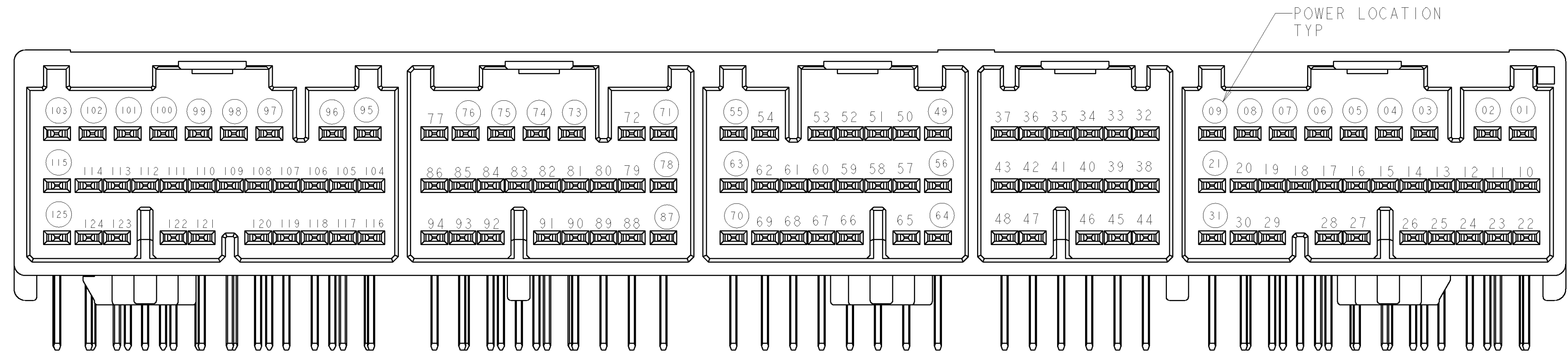
⊕ 0.4	Z	B	A
⊕ 0.4	Z	D	C
⊕ 0.4	Z	F	E
⊕ 0.4	Z	H	G
⊕ 0.4	Z	K	J

(TOP OF TAB)

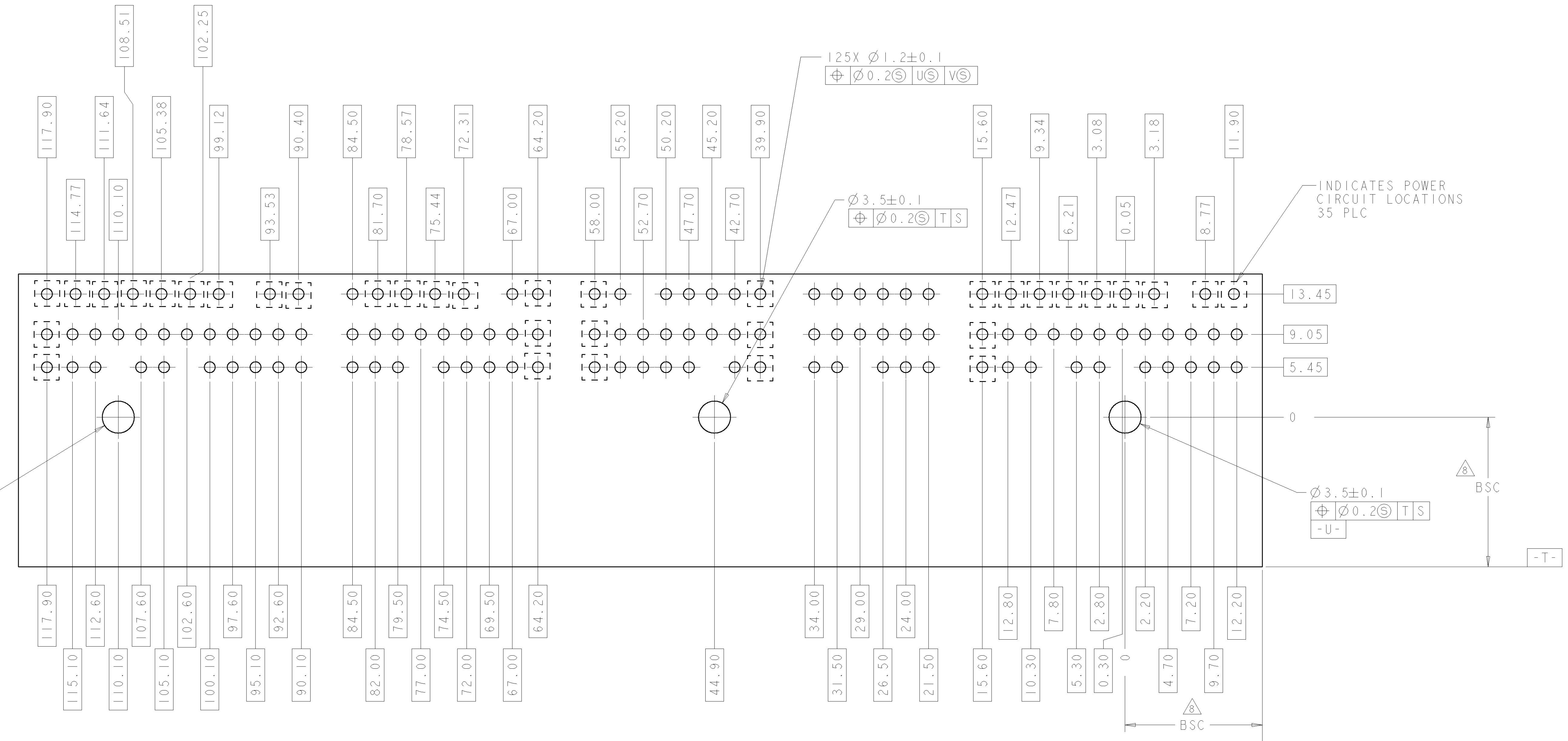


DIMENSIONS: mm 		TOLERANCES UNLESS OTHERWISE SPECIFIED: 9 PLC ±0.30 1 PLC ±0.30 2 PLC ±0.30 3 PLC ±0.30 4 PLC ±0.30 ANGLES ±°		DWN R. VESTAL 13MAY2002 CHK G. MILLER 13MAY2002 APD G. MILLER 13MAY2002		<b>tyco</b> Electronics Tyco Electronics Harrisburg, PA 17105-3608	
MATERIAL		FINISH		WEIGHT		NAME ASSEMBLY, 125 POSITION, HD111	
CUSTOMER DRAWING		SCALE 2:1		SHEET 2 OF 3		REV A	

REVISONS		DATE	DWN	APVD
FX	00			
DESCRIPTION				
SEE SHEET 1				



SCALE 4:1



PC BOARD LAYOUT  
 RECOMMENDED THICKNESS: 1.57 MM  
 COMPONENT SIDE SHOWN

<small>THIS DRAWING IS UNPUBLISHED. RELEASED FOR PUBLICATION BY T100 ELECTRONICS CORPORATION. ALL RIGHTS RESERVED.</small>		DWN: VESTAL CHK: MILLER APVD: MILLER	13MAY2002 13MAY2002 13MAY2002	<b>tyco</b> Electronics Tyco Electronics Harrisburg, PA 17105-3608
DIMENSIONS: mm TOLERANCES UNLESS OTHERWISE SPECIFIED: 9 PLC ±0.30 1 PLC ±0.30 2 PLC ±0.30 3 PLC ±0.30 4 PLC ±0.30 ANGLES ±°		NAME: ASSEMBLY, 125 POSITION, HD111 PRODUCT SPEC: - APPLICATION SPEC: - WEIGHT: - FINISH: -		SIZE: A1 CAGE CODE: 00779 DRAWING NO: C=1438361 RESTRICTED TO: - SCALE: 2:1 SHEET: 3 OF 3 REV: A
MATERIAL: -		CUSTOMER DRAWING		

单击下面可查看定价，库存，交付和生命周期等信息

[>>TE Connectivity\(泰科\)](#)