



TE Connectivity

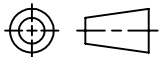
CUSTOMER DATA

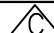

PART NO. 1432792-1 SHT. 1 OF 2

DRAWN E.SIMPSON APPROVAL B. TOEPFER DATE FIRST_DRAWN 05-26-05 SCALE 1:1

CUSTOMER TYCO_ELECTRONICS_STANDARD

TOLERANCE 0.X = +/-
UNLESS 0.XX = +/-
SPECIFIED 0.XXX = +/-
OTHERWISE ANGLES = +/-


DO NOT SCALE THIS DRAWING

CHANGES			
REV.	DATE	CO	APP.
	04OCT2016	ECR-16-014229	B.T.
	06NOV2017	ECO-17-003787	B.T.

NOT TO BE USED IN AUTOMOTIVE APPLICATIONS OR APPLICATIONS REQUIRING PPAP AND/OR IMDS DOCUMENTATION
ELECTRICAL CHARACTERISTICS: (ALL DATA APPLIES @ 23°C UNLESS OTHERWISE SPECIFIED)

COIL DATA:

NOMINAL VOLTAGE: 12 VDC
OPERATE VOLTAGE: 7.8 VDC MAXIMUM
RELEASE VOLTAGE: 1.2 VDC MINIMUM
COIL RESISTANCE: 79.5 OHMS +/- 10%
OPERATE TIME: 10 mSEC. MAXIMUM EXCLUDING BOUNCE
RELEASE TIME: 13 mSEC. MAXIMUM EXCLUDING BOUNCE
TEMPERATURE RANGE: OPERATING -40°C TO +85°C

CONTACT DATA: (CONTACT DATA IS FORMATTED N.O./N.C.)

CONTACT ARRANGEMENT: 1 FORM C (SPDT)
CONTACT MATERIAL: AgSnO (SILVER TIN-OXIDE)
CONTACT MILLIVOLT DROP: 200mv @ 35A ON N.O. CONTACTS (AFTER SWITCHING)
250mv @ 20A ON N.C. CONTACTS (AFTER SWITCHING)
MAXIMUM MAKE CURRENT: 90A/30A (LAMP) @ 16 VDC
MAXIMUM BREAK CURRENT: 40A/30A @ 16 VDC RESISTIVE
MAXIMUM CONTINUOUS CURRENT: 40A/30A @ 23°C , 35A/20A @ 85°C
INITIAL BREAKDOWN CURRENT 500V RMS CONTACTS TO COIL

EXPECTED LIFE: 100,000 OPERATIONS, 40 A, 14 VDC RESISTIVE ON NORMALLY OPEN CONTACT

MECHANICAL CHARACTERISTICS:

EXPECTED LIFE: 10 MILLION OPERATIONS, NO CONTACT LOAD
TERMINALS COPPER, UNPLATED



TE Connectivity

CUSTOMER DATA

PART NO.

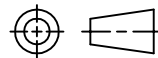
1432792-1

SHT. 2
OF 2

DRAWN E.SIMPSON	APPROVAL B. TOEPFER	DATE FIRST_DRAWN 05-26-05	SCALE 1:1
--------------------	------------------------	------------------------------	--------------

CUSTOMER
TYCO_ELECTRONICS_STANDARD

TOLERANCE 0.X = +/-
 UNLESS 0.XX = +/-
 SPECIFIED 0.XXX = +/-
 OTHERWISE ANGLES = +/-



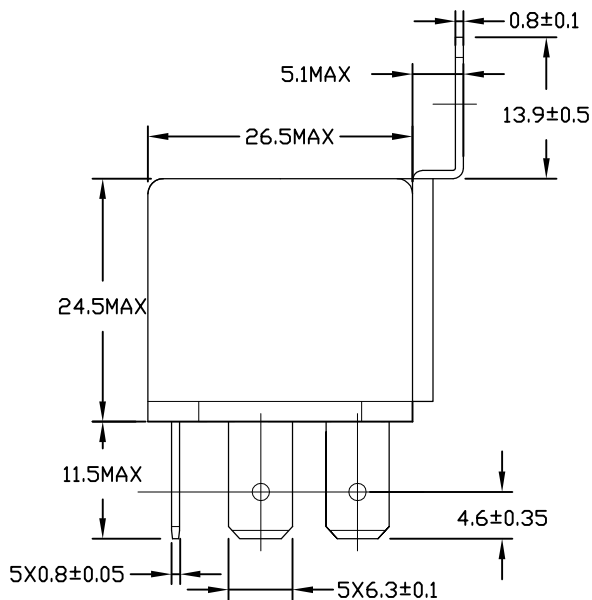
DO NOT SCALE THIS DRAWING

REV D

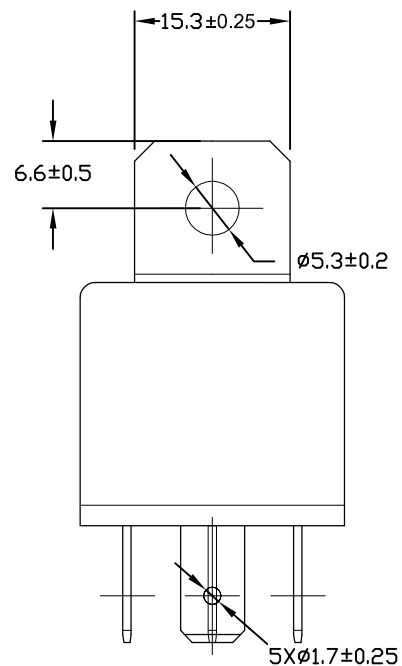
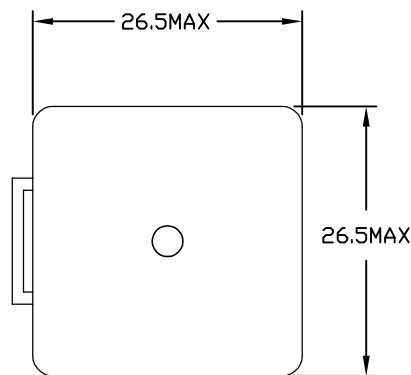
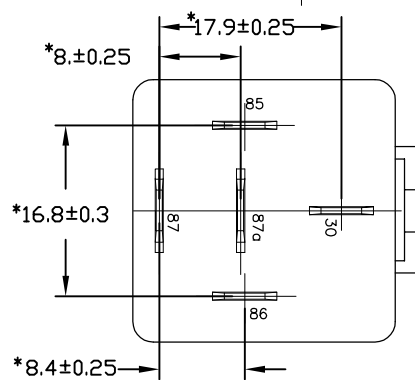
MILLIMETERS

MARKING TO INCLUDE:

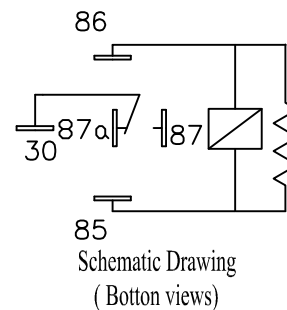
TYCO ELECTRONICS NAME, TYCO ELECTRONICS PART NUMBER, SCHEMATIC, COIL VOLTAGE, COUNTRY OF ORIGIN, AND DATE CODE



K Aspect



* TERMINAL LOCATIONS APPLY AT THE BASE OF THE TERMINALS



NOT TO BE USED IN AUTOMOTIVE APPLICATIONS OR APPLICATIONS REQUIRING PPAP AND/OR IMDS DOCUMENTATION

单击下面可查看定价，库存，交付和生命周期等信息

[>>TE Connectivity\(泰科\)](#)