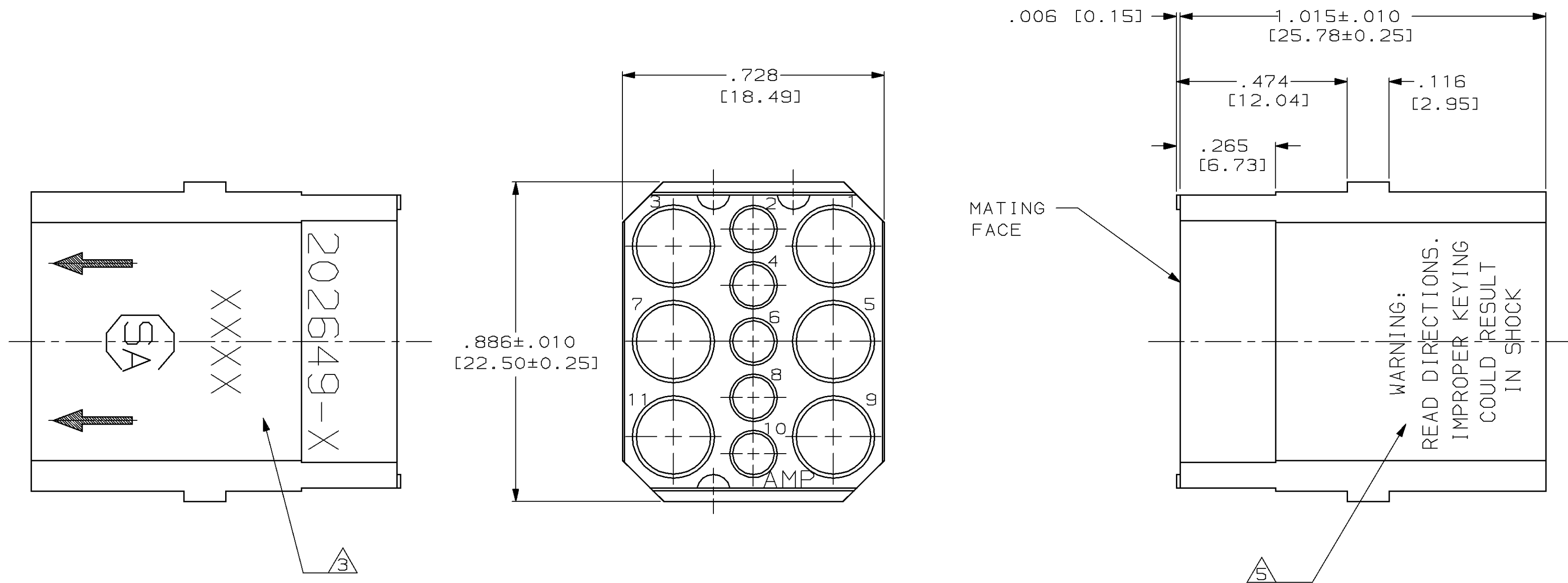


LOC	DIST	P	F	ZONE	LTR	DESCRIPTION	DATE	APPD
DF	BO				E	REV & REDRAWN DF-4297 PY	11-91	DBM
					F	REV PER 0600-4161-95 JB	08-30-95	DBM



1 MATERIAL: DIALLYL PHTHALATE PER MIL-M-14, TYPE SDG-F, COLOR: BLUE

2 MATERIAL: PHENOLIC PER MIL-M-14, TYPE CFG OR MFH, COLOR: BLACK

3 AMP PART NO, DATE CODE, CSA CERT AND ARROWS MARKED WITH WHITE INK OR BY LASER MARKING AT APPROXIMATE AREA SHOWN, EITHER SIDE

4. THIS MODULE WILL ACCOMMODATE:  
 (6) MINIATURE COAXICON OR TYPE I SIZE 12 SOCKET CONTACTS AND  
 (5) SUBMINIATURE COAXICON, TYPE II SIZE 16, TYPE III(+) SIZE 16 OR TYPE VI SIZE 16 SOCKET CONTACTS

5 WARNING STATEMENT MARKED WITH WHITE INK AT APPROXIMATE AREA SHOWN, ON SIDE OPPOSITE PART NUMBER.

2	202649-4
1	202649-2
MATERIAL	PART NUMBER

DO NOT SCALE PRINT. UNLESS SPECIFIED DIMENSIONS IN INCHES [mm] TOLERANCES ON : 2 PLC DEC ± - 3 PLC DEC ± .005 ANGLES ± -		DR 9-13-91 P. YEAGER		PART NO	
MATERIAL SEE TABLE		CHK 11-12-91 D.B. MUMMEY		AMP AMP Incorporated Harrisburg, PA 17105-3608	
FINISH -		APPD 11-12-91 D.B. MUMMEY		NAME FEMALE BLOCK G SERIES, 11 POSN	
		APPD -		SIZE CAGE CODE DRAWING NO	
		PRODUCT SPEC -		C 00779 202649	
		APPLICATION SPEC -		SCALE 4:1 SHEET 1 OF 1	
		WEIGHT -			

单击下面可查看定价，库存，交付和生命周期等信息

[>>TE Connectivity\(泰科\)](#)