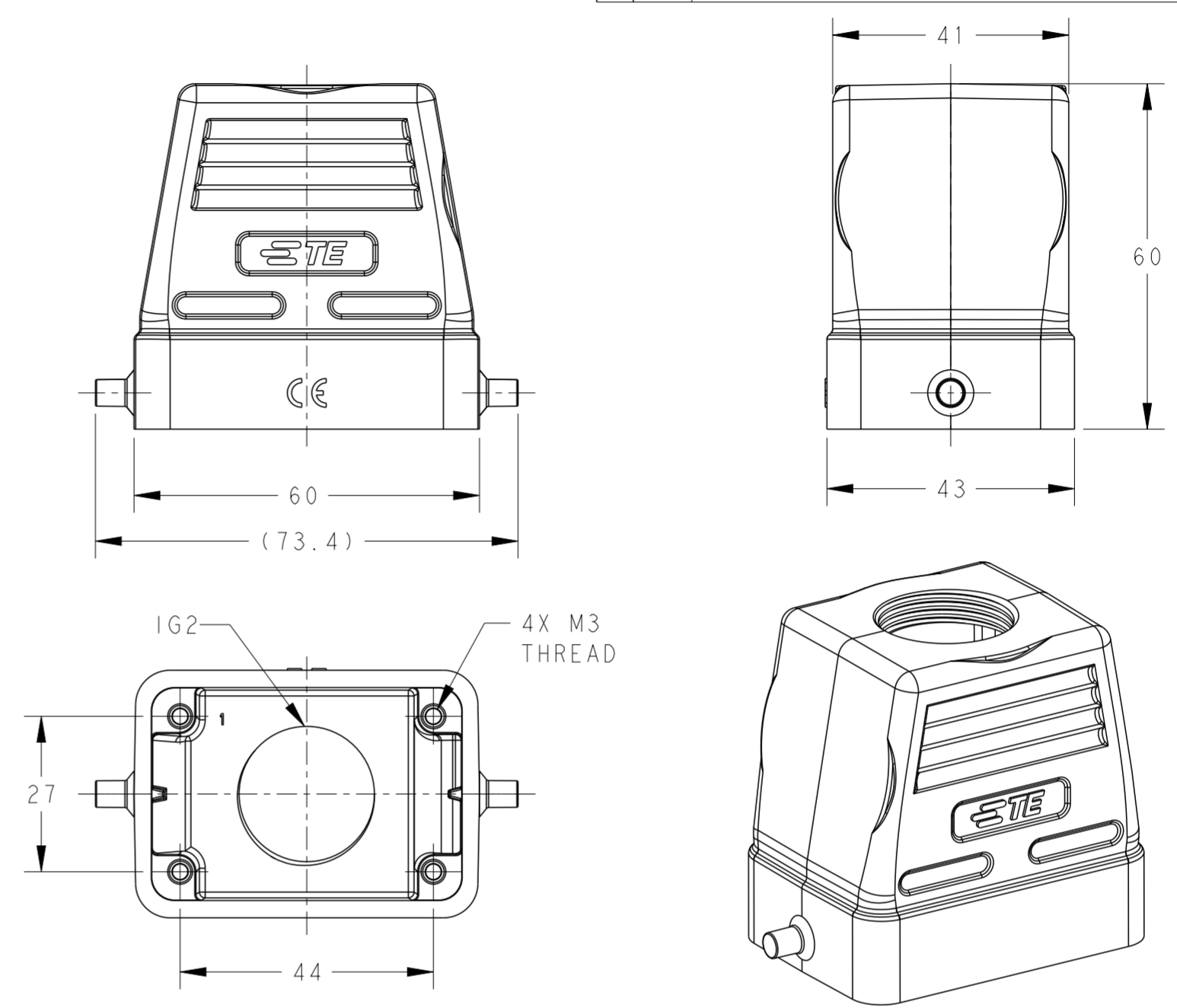
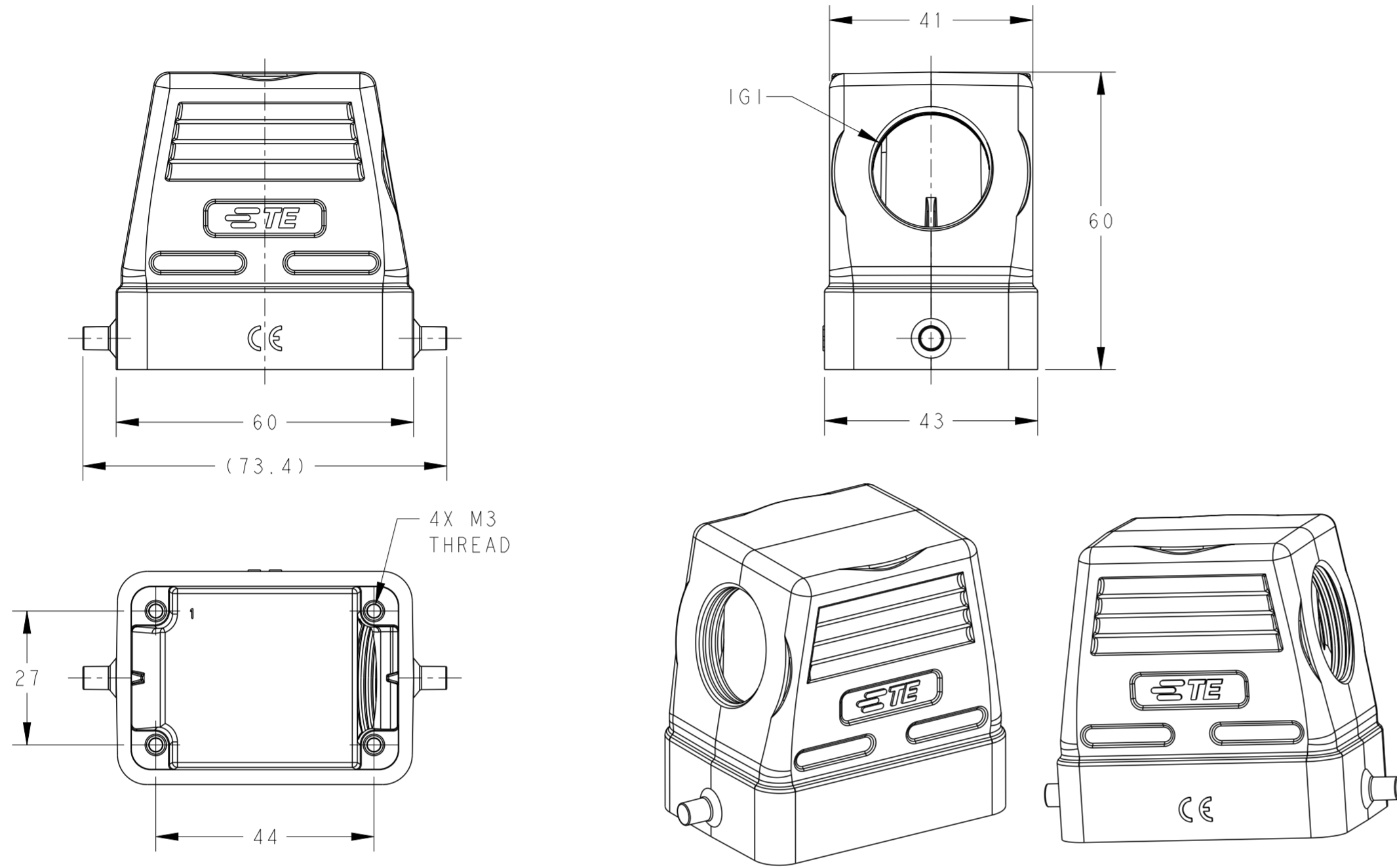


| REVISIONS | | | | |
|-----------|-----|---------------|-----------|--------|
| P | LTR | DESCRIPTION | DATE | APVD |
| A1 | | ECR-18-010109 | 09JUL2018 | CD CW |
| A2 | | ECR-19-006712 | 15MAY2019 | AL CW |
| B | | ECR-20-007968 | 05JUN2020 | WOR CW |
| B1 | | ECR-24-202050 | 05MAR2024 | RW CW |

TYPE 1: LOW CONSTRUCTION, SIDE ENTRY
 类型1: 低结构 侧出

TYPE 2: LOW CONSTRUCTION, TOP ENTRY
 类型2: 低结构, 顶出



| | | | | | |
|------------------------------|-----------------------------------|--|--------|--------|-------|
| T1310060105-000 | H6B-TS-G1/2 | H6B HOOD, SIDE ENTRY G1/2, 2 EAR, POWDER COATED, GREY H6B上壳, 侧出G1/2, 2耳, 灰色粉末喷涂 | G1/2 | - | TYPE1 |
| T1310060111-000 | H6B-TS-PG11 | H6B HOOD, SIDE ENTRY PG11, 2 EAR, POWDER COATED, GREY H6B上壳, 侧出PG11, 2耳, 灰色粉末喷涂 | PG11 | - | |
| T1310060113-000 | H6B-TS-PG13.5 | H6B HOOD, SIDE ENTRY PG13.5, 2 EAR, POWDER COATED, GREY H6B上壳, 侧出PG13.5, 2耳, 灰色粉末喷涂 | PG13.5 | - | |
| T1310060116-000 | H6B-TS-PG16 | H6B HOOD, SIDE ENTRY PG16, 2 EAR, POWDER COATED, GREY H6B上壳, 侧出PG16, 2耳, 灰色粉末喷涂 | PG16 | - | |
| T1310060120-000 | H6B-TS-M20 | H6B HOOD, SIDE ENTRY M20, 2 EAR, POWDER COATED, GREY H6B上壳, 侧出M20, 2耳, 灰色粉末喷涂 | M20 | - | |
| T1310060121-000 | H6B-TS-PG21 | H6B HOOD, SIDE ENTRY PG21, 2 EAR, POWDER COATED, GREY H6B上壳, 侧出PG21, 2耳, 灰色粉末喷涂 | PG21 | - | |
| T1310060125-000 | H6B-TS-M25 | H6B HOOD, SIDE ENTRY M25, 2 EAR, POWDER COATED, GREY H6B上壳, 侧出M25, 2耳, 灰色粉末喷涂 | M25 | - | |
| T1320060113-000 | H6B-TG-PG13.5 | H6B HOOD, TOP ENTRY PG13.5, 2 EAR, POWDER COATED, GREY H6B上壳, 顶出PG13.5, 2耳, 灰色粉末喷涂 | - | PG13.5 | TYPE2 |
| T1320060116-000 | H6B-TG-PG16 | H6B HOOD, TOP ENTRY PG16, 2 EAR, POWDER COATED, GREY H6B上壳, 顶出PG16, 2耳, 灰色粉末喷涂 | - | PG16 | |
| T1320060120-000 | H6B-TG-M20 | H6B HOOD, TOP ENTRY M20, 2 EAR, POWDER COATED, GREY H6B上壳, 顶出M20, 2耳, 灰色粉末喷涂 | - | M20 | |
| T1320060121-000 | H6B-TG-PG21 | H6B HOOD, TOP ENTRY PG21, 2 EAR, POWDER COATED, GREY H6B上壳, 顶出PG21, 2耳, 灰色粉末喷涂 | - | PG21 | |
| T1320060125-000 | H6B-TG-M25 | H6B HOOD, TOP ENTRY M25, 2 EAR, POWDER COATED, GREY H6B上壳, 顶出M25, 2耳, 灰色粉末喷涂 | - | M25 | |
| T1320060132-000 | H6B-TG-M32 | H6B HOOD, TOP ENTRY M32, 2 EAR, POWDER COATED, GREY H6B上壳, 顶出M32, 2耳, 灰色粉末喷涂 | - | M32 | |
| T1323060120-000 | H6B-TG-M20 | H6B HOOD, TOP ENTRY M20, 2 EAR, POWDER COATED, RED H6B上壳, 顶出M20, 2耳, 红色粉末喷涂 | - | M20 | |
| ASSEMBLY PART NUMBER 成品料号 | ASSEMBLY PART DESCRIPTION 成品描述 | | IG1 | IG2 | TYPE |

NOTES:
 1. TECHNICAL CHARACTERISTICS:
 HOOD MATERIAL: DIE CAST ALUMINIUM ALLOY
 SURFACE: POWDER COATED, GREY / RED
 DEGREE OF PROTECTION: IP65 (MATED)

注释:
 1. 技术参数:
 上壳材料: 铝合金
 表面处理: 粉末喷涂, 灰色或红色
 防护等级: IP65(配合)

| | | | | |
|--|--|-----------------------------|---|--|
| THIS DRAWING IS A CONTROLLED DOCUMENT. | | DWN David Wang 05JUN2015 | TE Connectivity | |
| DIMENSIONS: mm | | CHK Chris Wang 05JUN2015 | | |
| TOLERANCES UNLESS OTHERWISE SPECIFIED: | | APVD Xiang Xu 05JUN2015 | NAME H6B-TS/TG/TSH/TGH-M/PG | |
| 0 PLC ± | | PRODUCT SPEC 108-137013 | SIZE CAGE CODE DRAWING NO RESTRICTED TO | |
| 1 PLC ± | | APPLICATION SPEC 114-137013 | A200779 C-T13X00601XX000 | |
| 2 PLC ± | | WEIGHT - | SCALE 1:1 SHEET 1 OF 2 REV B1 | |
| 3 PLC ± | | Customer Drawing | | |
| 4 PLC ± | | | | |
| ANGLES ± | | | | |
| FINISH - | | | | |
| - | | | | |

THIS DRAWING IS UNPUBLISHED. RELEASED FOR PUBLICATION 20
 © COPYRIGHT 20 BY - ALL RIGHTS RESERVED.

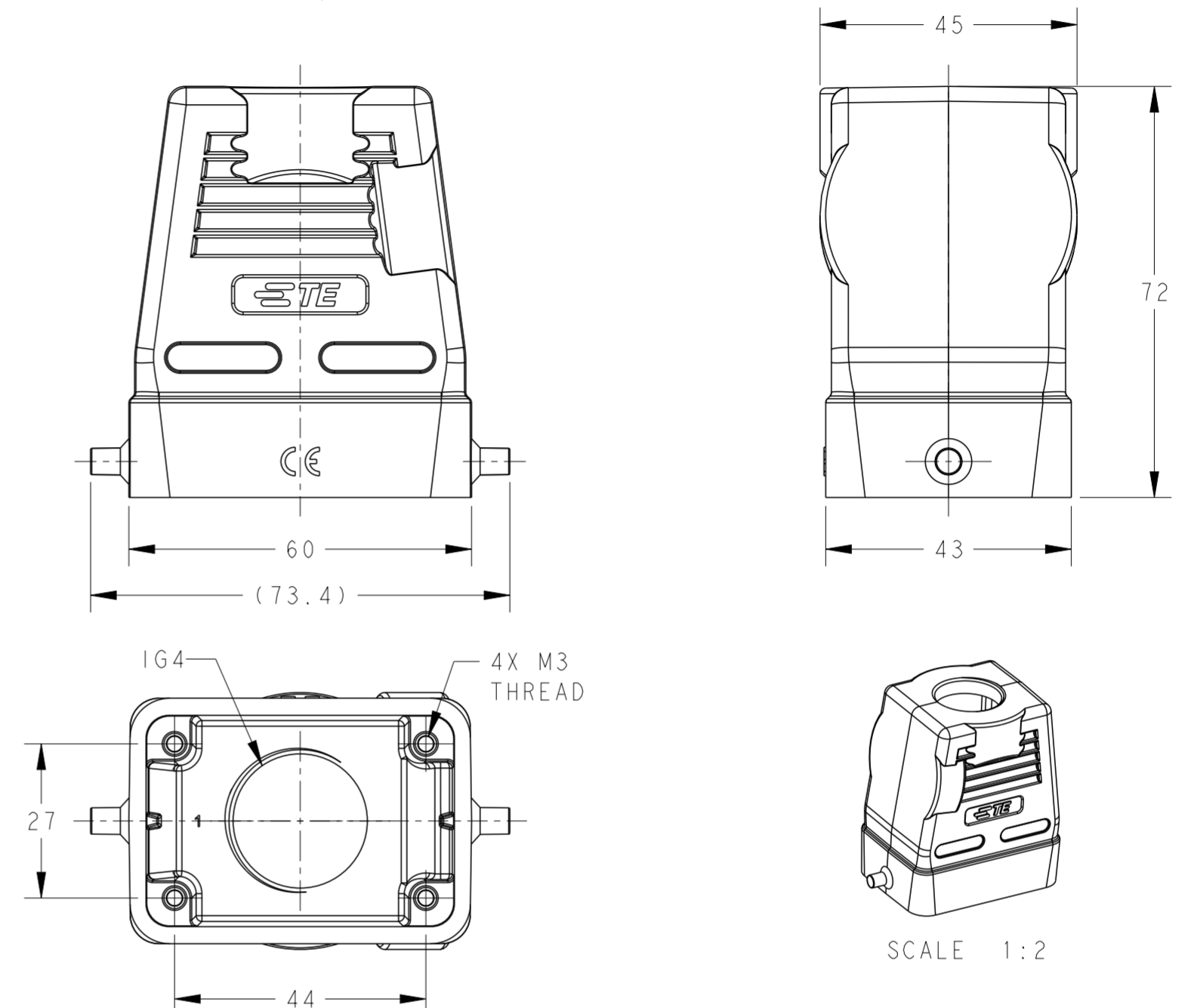
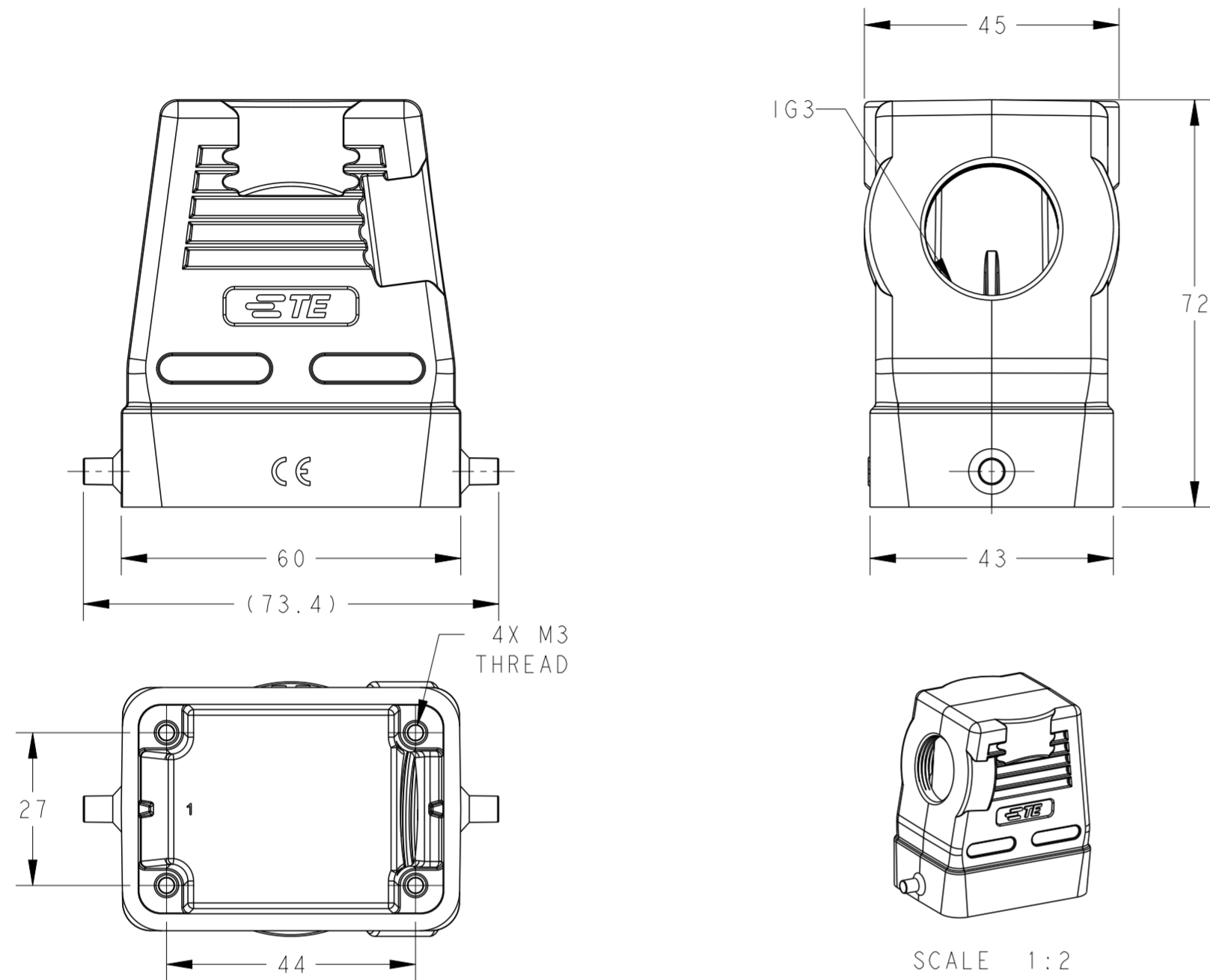
| REVISIONS | | | | |
|-----------|-----|-------------|------|------|
| P | LTR | DESCRIPTION | DATE | APVD |
| - | - | SEE SHEET 1 | - | - |
| | | | | |
| | | | | |

TYPE 3: HIGH CONSTRUCTION, SIDE ENTRY

类型3: 高结构, 侧出

TYPE 4: HIGH CONSTRUCTION, TOP ENTRY

类型4: 高结构, 顶出



NOTES:
SEE SHEET 1
备注:
见表格1

| | | | | | |
|------------------------------|-----------------------------------|--|--------|--------|--------|
| T1330060106-000 | H6B-TSH-M16 | H6B HOOD, SIDE ENTRY M16, 2 EAR, HIGH CONSTRUCTION, POWDER COATED, GREY H6B上壳, 侧出M16, 2耳, 高结构, 灰色粉末喷涂 | M16 | - | TYPE 3 |
| T1330060113-000 | H6B-TSH-PG13.5 | H6B HOOD, SIDE ENTRY PG13.5, 2 EAR, HIGH CONSTRUCTION, POWDER COATED, GREY H6B上壳, 侧出PG13.5, 2耳, 高结构, 灰色粉末喷涂 | PG13.5 | - | |
| T1330060116-000 | H6B-TSH-PG16 | H6B HOOD, SIDE ENTRY PG16, 2 EAR, HIGH CONSTRUCTION, POWDER COATED, GREY H6B上壳, 侧出PG16, 2耳, 高结构, 灰色粉末喷涂 | PG16 | - | |
| T1330060120-000 | H6B-TSH-M20 | H6B HOOD, SIDE ENTRY M20, 2 EAR, HIGH CONSTRUCTION, POWDER COATED, GREY H6B上壳, 侧出M20, 2耳, 高结构, 灰色粉末喷涂 | M20 | - | |
| T1330060121-000 | H6B-TSH-PG21 | H6B HOOD, SIDE ENTRY PG21, 2 EAR, HIGH CONSTRUCTION, POWDER COATED, GREY H6B上壳, 侧出PG21, 2耳, 高结构, 灰色粉末喷涂 | PG21 | - | |
| T1330060125-000 | H6B-TSH-M25 | H6B HOOD, SIDE ENTRY M25, 2 EAR, HIGH CONSTRUCTION, POWDER COATED, GREY H6B上壳, 侧出M25, 2耳, 高结构, 灰色粉末喷涂 | M25 | - | |
| T1330060129-000 | H6B-TSH-PG29 | H6B HOOD, SIDE ENTRY PG29, 2 EAR, HIGH CONSTRUCTION, POWDER COATED, GREY H6B上壳, 侧出PG29, 2耳, 高结构, 灰色粉末喷涂 | PG29 | - | |
| T1330060132-000 | H6B-TSH-M32 | H6B HOOD, SIDE ENTRY M32, 2 EAR, HIGH CONSTRUCTION, POWDER COATED, GREY H6B上壳, 侧出M32, 2耳, 高结构, 灰色粉末喷涂 | M32 | - | |
| T1330060140-000 | H6B-TSH-M40 | H6B HOOD, SIDE ENTRY M40, 2 EAR, HIGH CONSTRUCTION, POWDER COATED, GREY H6B上壳, 侧出M40, 2耳, 高结构, 灰色粉末喷涂 | M40 | - | |
| T1340060120-000 | H6B-TGH-M20 | H6B HOOD, TOP ENTRY M20, 2 EAR, HIGH CONSTRUCTION, POWDER COATED, GREY H6B上壳, 顶出M20, 2耳, 高结构, 灰色粉末喷涂 | - | M20 | TYPE 4 |
| T1340060121-000 | H6B-TGH-PG21 | H6B HOOD, TOP ENTRY PG21, 2 EAR, HIGH CONSTRUCTION, POWDER COATED, GREY H6B上壳, 顶出PG21, 2耳, 高结构, 灰色粉末喷涂 | - | PG21 | |
| T1340060125-000 | H6B-TGH-M25 | H6B HOOD, TOP ENTRY M25, 2 EAR, HIGH CONSTRUCTION, POWDER COATED, GREY H6B上壳, 顶出M25, 2耳, 高结构, 灰色粉末喷涂 | - | M25 | |
| T1340060129-000 | H6B-TGH-PG29 | H6B HOOD, TOP ENTRY PG29, 2 EAR, HIGH CONSTRUCTION, POWDER COATED, GREY H6B上壳, 顶出PG29, 2耳, 高结构, 灰色粉末喷涂 | - | PG29 | |
| T1340060130-000 | H6B-TGH-M30 | H6B HOOD, TOP ENTRY M30, 2 EAR, HIGH CONSTRUCTION, POWDER COATED, GREY H6B上壳, 顶出M30, 2耳, 高结构, 灰色粉末喷涂 | - | M30 | |
| T1340060132-000 | H6B-TGH-M32 | H6B HOOD, TOP ENTRY M32, 2 EAR, HIGH CONSTRUCTION, POWDER COATED, GREY H6B上壳, 顶出M32, 2耳, 高结构, 灰色粉末喷涂 | - | M32 | |
| T1340060140-000 | H6B-TGH-M40 | H6B HOOD, TOP ENTRY M40, 2 EAR, HIGH CONSTRUCTION, POWDER COATED, GREY H6B上壳, 顶出M40, 2耳, 高结构, 灰色粉末喷涂 | - | M40 | |
| T1340067134-000 | H6B-TGH-NPT3/4 | H6B HOOD, TOP ENTRY NPT3/4, 2 EAR, HIGH CONSTRUCTION, POWDER COATED, GREY H6B上壳, 顶出NPT3/4, 2耳, 高结构, 灰色粉末喷涂 | - | NPT3/4 | |
| ASSEMBLY PART NUMBER 成品料号 | ASSEMBLY PART DESCRIPTION 成品描述 | | IG3 | IG4 | TYPE |

THIS DRAWING IS A CONTROLLED DOCUMENT.

| | | | |
|-------------------|---|--------------------------|--|
| DIMENSIONS: mm | TOLERANCES UNLESS OTHERWISE SPECIFIED: 0 PLC ± 1 PLC ± 2 PLC ± 3 PLC ± 4 PLC ± ANGLES ± | DWN David Wang 05JUN2015 | TE Connectivity |
| | | CHK Chris Wang 05JUN2015 | |
| MATERIAL | FINISH | APVD Xiang Xu 05JUN2015 | NAME H6B-TS/TG/TSH/TGH-M/PG |
| | | PRODUCT SPEC 108-137013 | APPLICATION SPEC 114-137013 |
| Customer Drawing | | WEIGHT - | SIZE A2 CAGE CODE G-T13X00601XX000 DRAWING NO. RESTRICTED TO |
| SCALE 1:1 | | SHEET 2 OF 2 | REV B1 |

单击下面可查看定价，库存，交付和生命周期等信息

[>>TE Connectivity\(泰科\)](#)