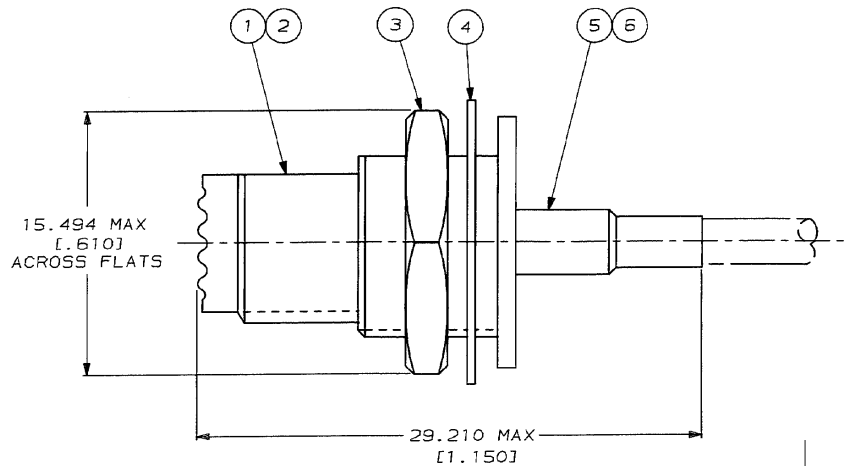
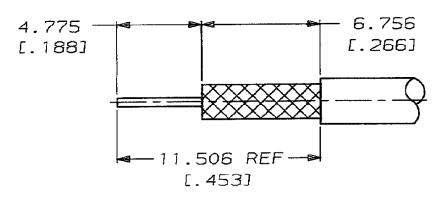


DRAWING MADE IN THIRD ANGLE PROJECTION  
 THIS DRAWING IS UNPUBLISHED. RELEASED FOR PUBLICATION, 19  
 © COPYRIGHT 19 BY AMP INCORPORATED. ALL INTERNATIONAL RIGHTS RESERVED.

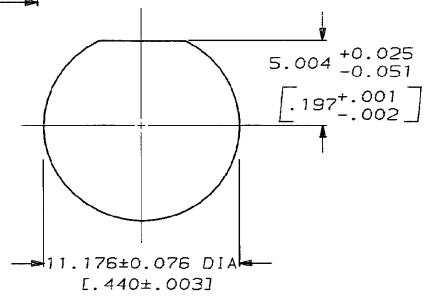
LOG	DIST	P	F	ZONE	LTR	DESCRIPTION	DATE	APPD
AJ	16				0	REL PER 90-3338-011	12-4-90	MS



- ▲ USE CRIMP TOOL: 220149-1
- 2. 2.540 [.100] MAX PANEL THICKNESS
- 3. PACKAGED UNASSEMBLED



RECOMMENDED STRIP LENGTH



RECOMMENDED PANEL CUTOUT

▲ RG-58/U	228906-1	226599-2	980506-1	228575-2	226610-2	228905-2	414045-1
FOR USE WITH CABLE	⑦ GASKET QTY=1	⑤ FERRULE QTY=1	④ LOCKWASHER QTY=1	③ JAM NUT QTY=1	② CONTACT QTY=1	① JACK, BULKHEAD QTY=1	PART NUMBER

DO NOT SCALE PRINT.  
 UNLESS SPECIFIED  
 DIMENSIONS IN INCHES  
 TOLERANCES ON:  
 2 PLC DEC ± -  
 13 PLC DEC ± 0.406 [.016]  
 ANGLES ± -  
 MATERIAL -  
 FINISH -  
 WEIGHT -

DR	M. SNEED	12-4-90
CHK	R. HENRY	12-4-90
APPD	R. HENRY	12-4-90
APPD	M. SNEED	12-4-90
PRODUCT SPEC	-	-
APPLICATION SPEC	-	-
WEIGHT	-	-

<b>AMP</b> AMP INCORPORATED Harrisburg, Pa. 17105		
NAME <b>JACK, BULKHEAD, MINIATURE UHF</b>		
SIZE <b>C</b>	CAGE CODE 00779	DRAWING NO 414045
SCALE 5:1	SHEET 1 OF 1	

CUSTOMER DRAWING

单击下面可查看定价，库存，交付和生命周期等信息

[>>TE Connectivity\(泰科\)](#)