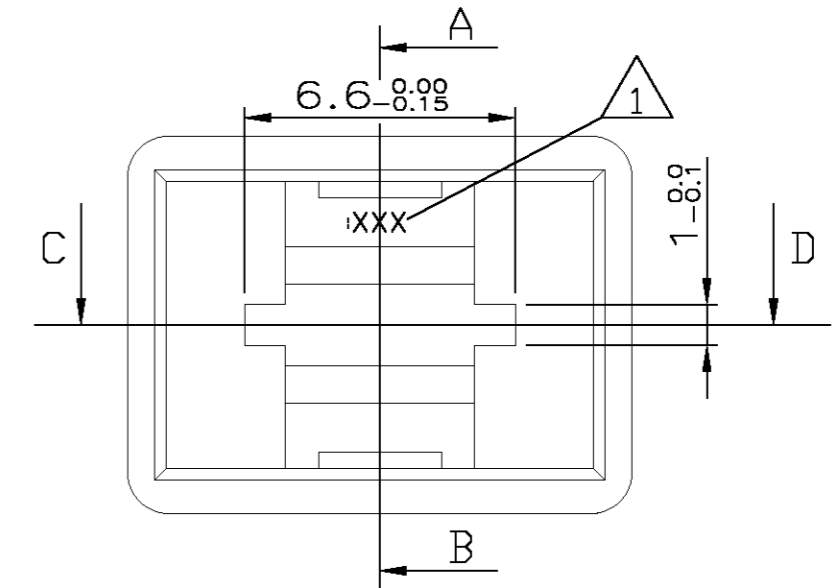
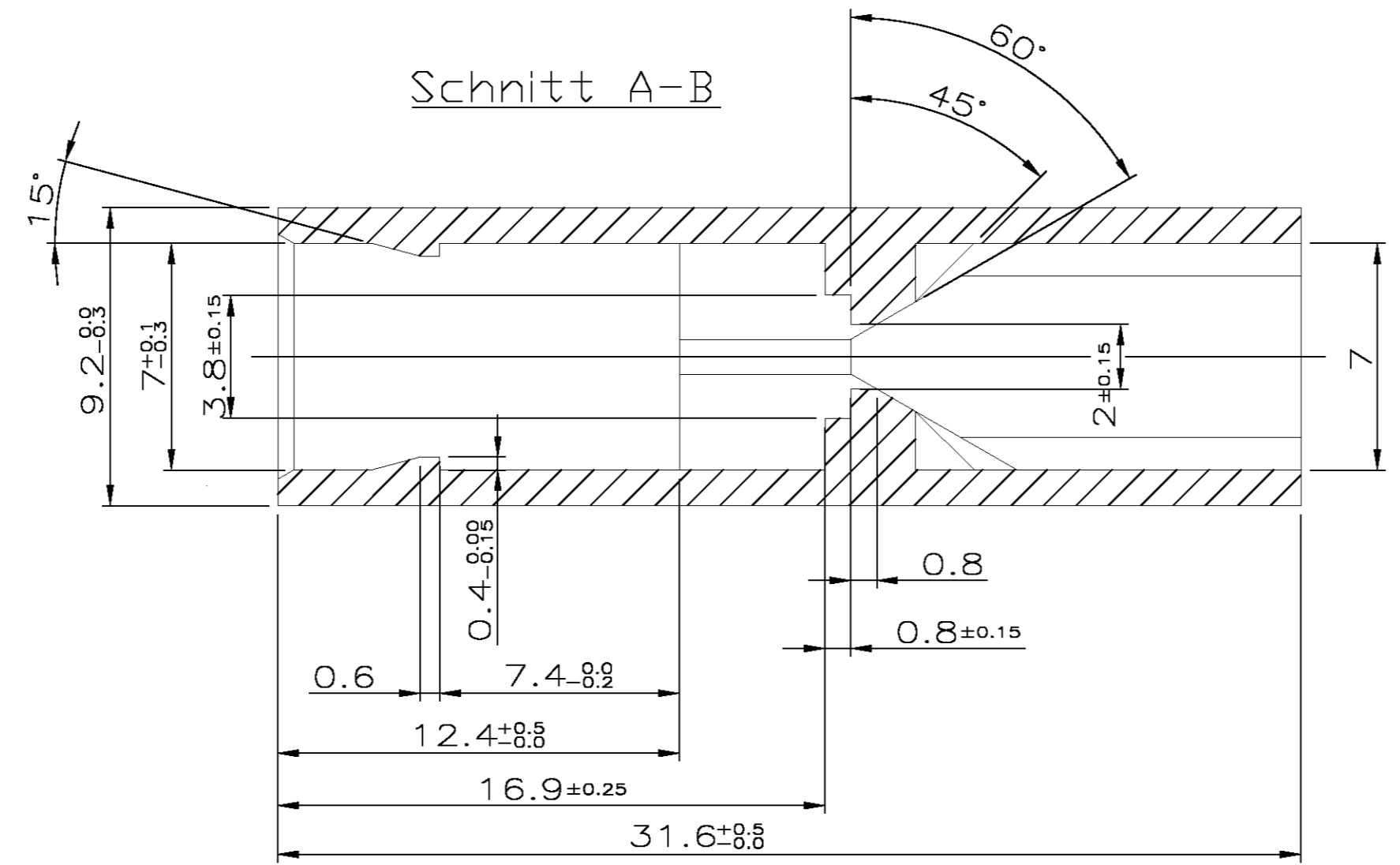
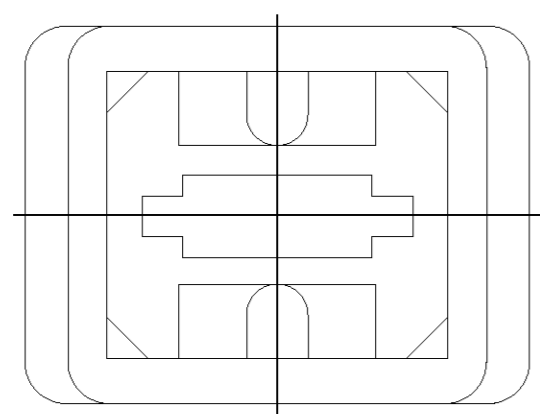


THIS DRAWING IS UNPUBLISHED. RELEASED FOR PUBLICATION
 © COPYRIGHT BY TYCO ELECTRONICS CORPORATION. ALL RIGHTS RESERVED.

LOC	DIST	P	LTR	DESCRIPTION	DATE	DWN	APVD
-	-	A1		1-962496-0 OBSOLETE	19.02.04	Stredok	Bleicher
-	-	C		CD updated to Production Drawing	29.07.04	Stredok	Bleicher
-	-	C1		new drawing created	25.06.08	Kirschb.	Stredok

war 180916
(Deutsche Version)



NOTES
Bemerkungen

ART WORK LOGO
Firmenlogo

1-962496-0	schwarz	Polycarbonat (Makrolon 6030)	OBSOLETE
962496-9	orange		
-8	violett		
-7	grau		
-6	braun		
-5	schwarz		
-4	gelb		
-3	blau		
-2	gruen		
-1	rot		
962496-0	natur	Zytel 101 F	
Bestell- Nr.	Farbe	Material	

Schnitt C-D

THIS DRAWING IS A CONTROLLED DOCUMENT.

DIMENSIONS: mm	TOLERANCES UNLESS OTHERWISE SPECIFIED: ±0,2mm	DWN Richter 24APR1990	24APR1990	Tyco Electronics Corporation 64625 Bensheim; Germany
	0 PLC ± - 1 PLC ± - 2 PLC ± - 3 PLC ± - 4 PLC ± - ANGLES ± °	CHK Stredok, F. 23JUN2008	23JUN2008	
MATERIAL	FINISH	APVD Bleicher, M. 25JUN2008	25JUN2008	NAME
		PRODUCT SPEC		1pol. FASTIN - FASTON Flachsteckergehaeuse
		APPLICATION SPEC		SIZE CAGE CODE DRAWING NO RESTRICTED TO
		WEIGHT		A2 00779 C=962496
		CUSTOMER DRAWING	SCALE 5:1	SHEET 1 of 1 REV C1

单击下面可查看定价，库存，交付和生命周期等信息

[>>TE Connectivity\(泰科\)](#)