

4

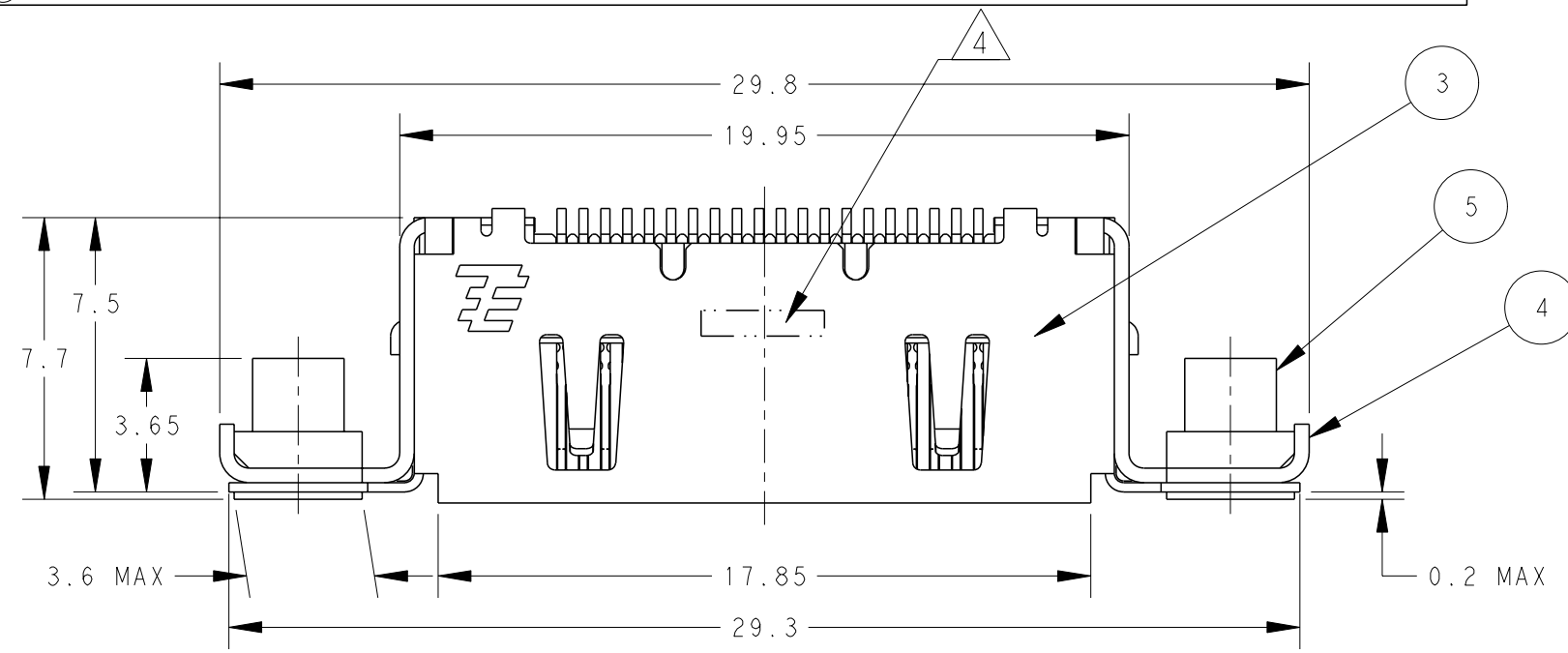
3

2

1

THIS DRAWING IS UNPUBLISHED. RELEASED FOR PUBLICATION 20
 © COPYRIGHT 20 BY - ALL RIGHTS RESERVED.

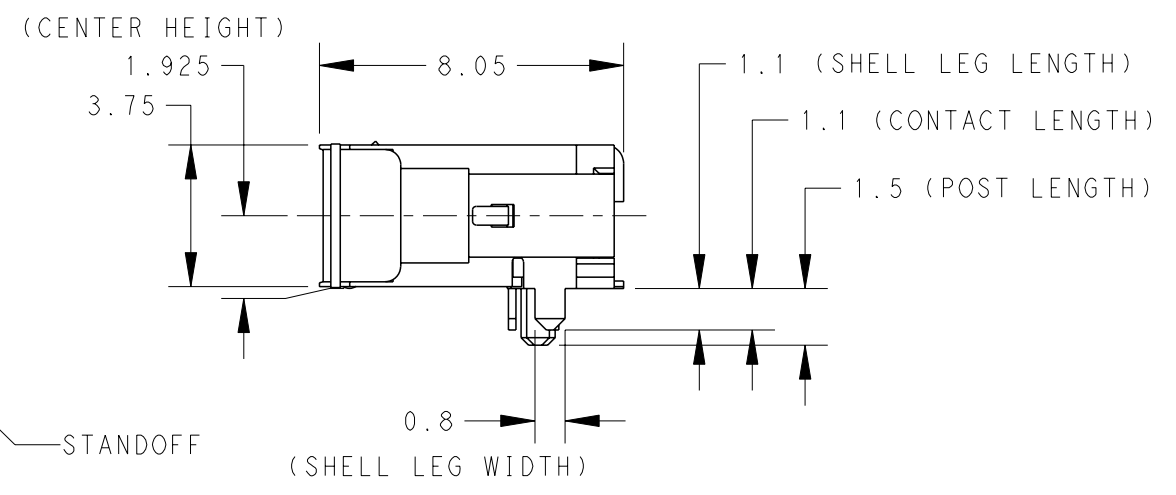
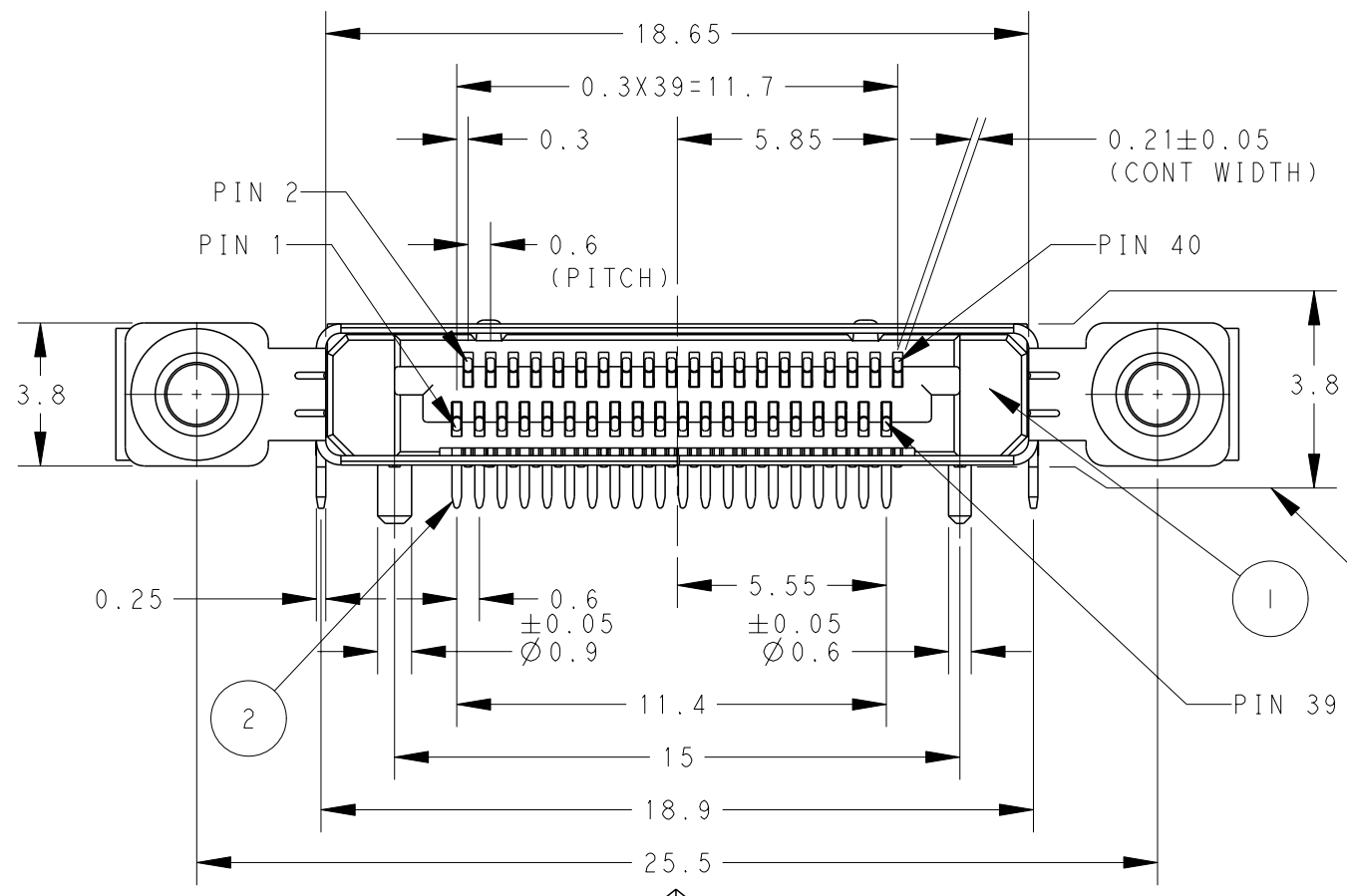
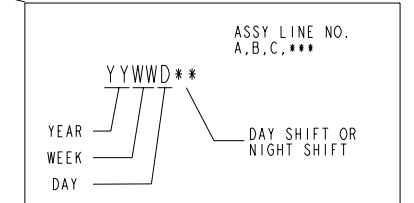
LOC	DIST	REVISIONS				
P	LTR	DESCRIPTION	DATE	DWN	APVD	
DW		B	REVISED (ECR-11-013643)	30JUN2011	T.K H.K	



2129260-1; AS SHOWN

- ① MATERIAL: HOUSING: THERMO-PLASTIC(UL94V-0, BLACK).
CONTACT: COPPER ALLOY.
SHELL: STAINLESS STEEL.
BRACKET: STAINLESS STEEL.
BUSH: STEEL.
- ② FINISH:
CONTACT: ALL OVER 2um MIN. Ni UNDER PLATING.
0.38um MIN. Au PLATING ON CONTACT AREA.
1~3um Tin PLATING ON TINE AREA.
SHELL: ALL OVER 1.3um MIN. Ni UNDER PLATING.
BUSH: ALL OVER 3um MIN. Ni UNDER PLATING.
- 3. LOW HALOGEN SPECIFICATION
CHLORINE(CI) : 900 ppm MAX.
BROMINE(Br) : 900 ppm MAX.
- ④ DATE CODE

WITH NUT



Q'TY	NAME	ITEM
2	BUSH (M2)	⑤
2	BRACKET	④
1	SHELL	③
40	CONTACT	②
1	HOUSING	①

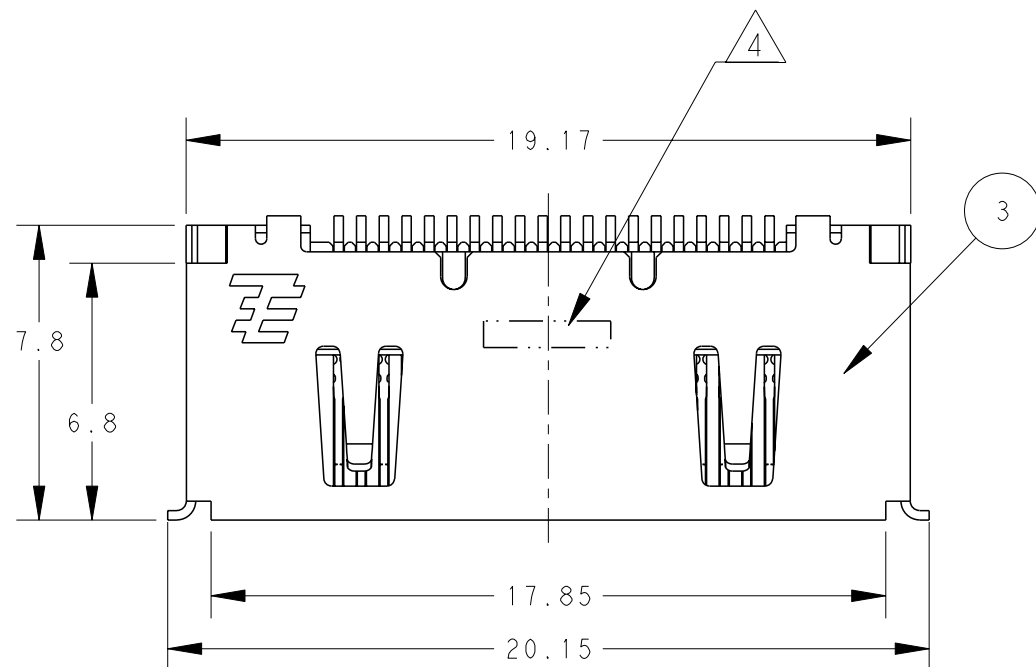
VIEW A

THIS DRAWING IS A CONTROLLED DOCUMENT.

DIMENSIONS: mm	TOLERANCES UNLESS OTHERWISE SPECIFIED: 0 PLC ± 1 PLC ± ±0.25 2 PLC ± ±3° 3 PLC ± ± 4 PLC ± ± ANGLES ± FINISH ②	DWN T.KUO 31MAR2011 CHK V.PENG 31MAR2011 APVD H.KODAMA 31MAR2011 PRODUCT SPEC 108-99033 APPLICATION SPEC WEIGHT 1.39g	TE Connectivity NAME RECEPTACLE ASSY, 0.6mm PITCH CHAMP DOCKING CONNECTOR, 40POS SIZE A3 CAGE CODE 00779 DRAWING NO C-2129260 SCALE 5:1 SHEET 1 OF 6 REV B
-------------------	---	--	---

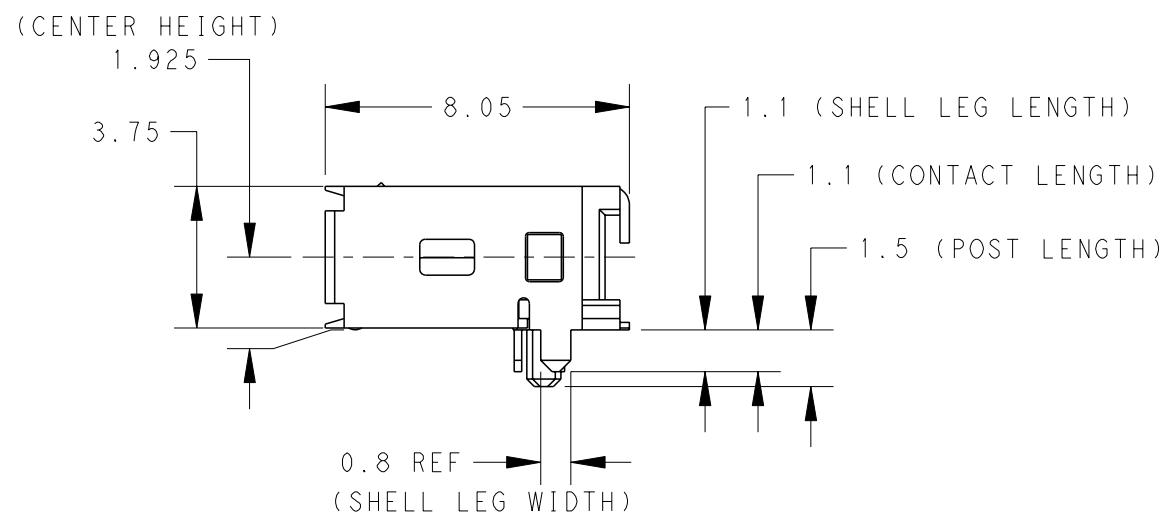
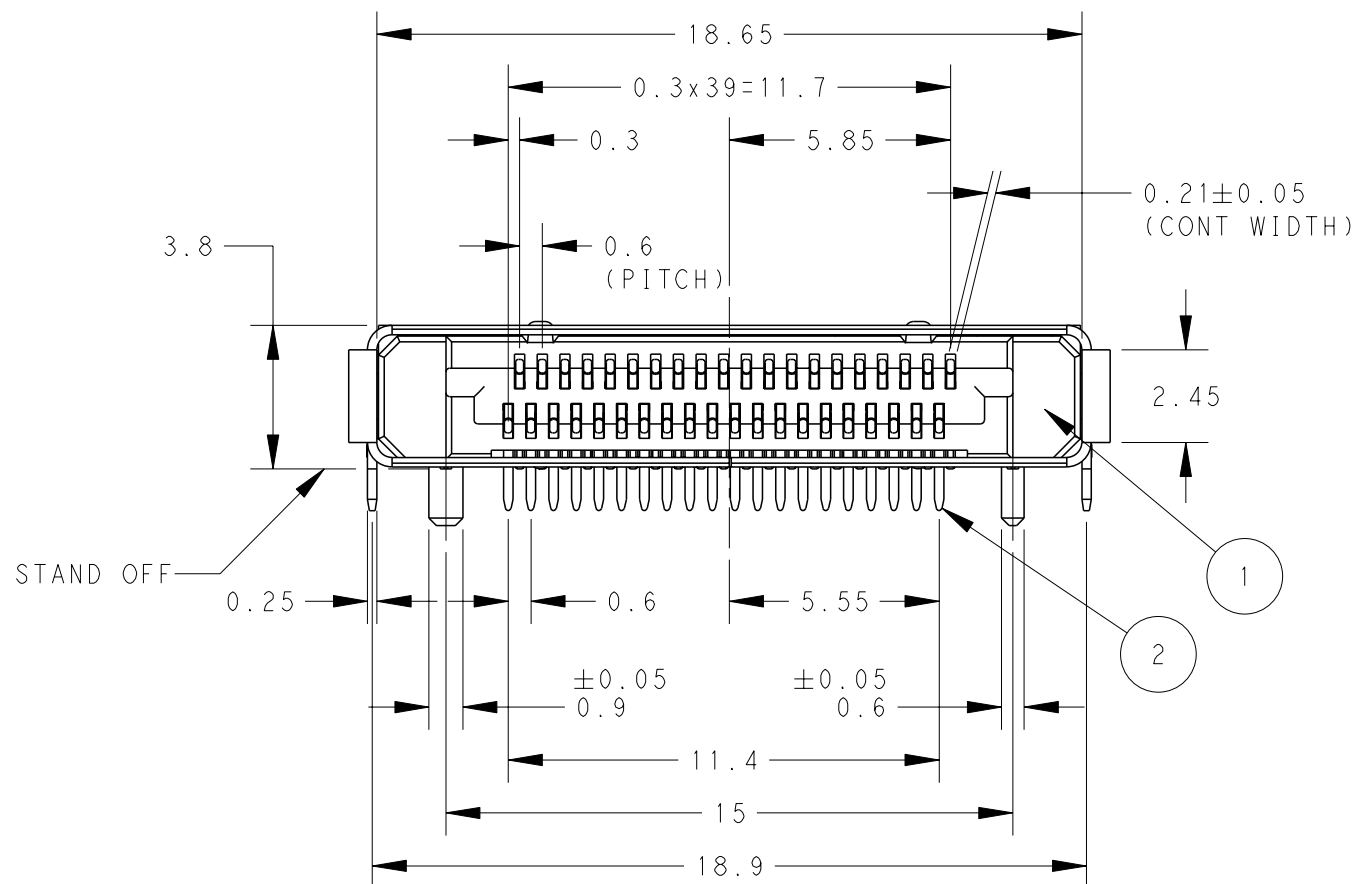
CUSTOMER DRAWING

P	LTR	DESCRIPTION	DATE	DWN	APVD
		SEE SHEET 1			




2129260-2; AS SHOWN

WITHOUT NUT



Q'TY	NAME	ITEM
1	SHELL	③
40	CONTACT	②
1	HOUSING	①

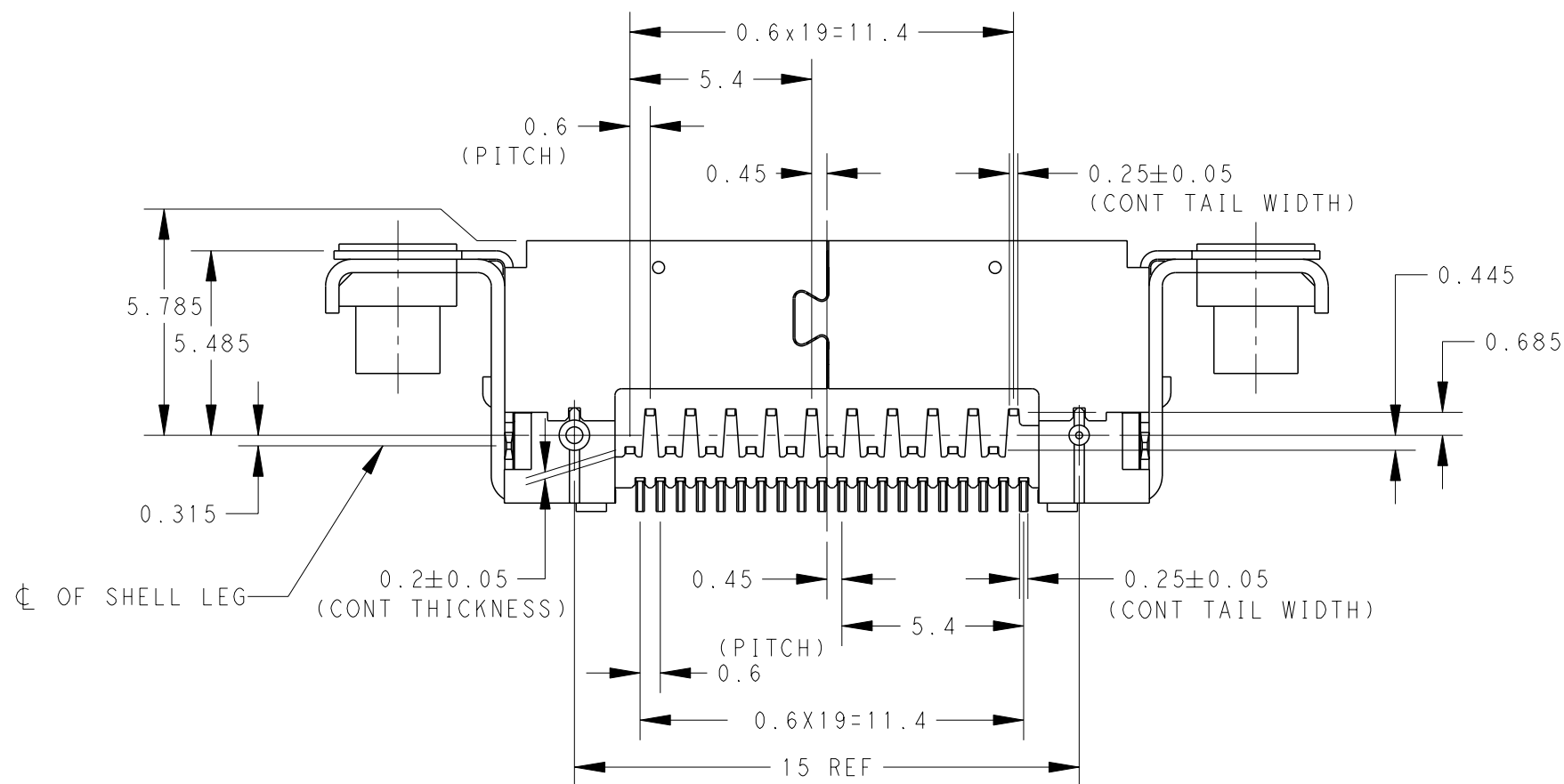
THIS DRAWING IS A CONTROLLED DOCUMENT.		DWN		 TE Connectivity	
DIMENSIONS: mm		CHK			
TOLERANCES UNLESS OTHERWISE SPECIFIED:		APVD			
0 PLC ±- 1 PLC ±- ±0.25 2 PLC ±- ±0.25 3 PLC ±- ±3° 4 PLC ±- ANGLES ±- FINISH -		PRODUCT SPEC			
MATERIAL		APPLICATION SPEC		NAME RECEPTACLE ASSY, 0.6mm PITCH CHAMP DOCKING CONNECTOR, 40POS	
		WEIGHT 0.87g		SIZE A3	CAGE CODE 00779
		CUSTOMER DRAWING		DRAWING NO C-2129260	RESTRICTED TO
		SCALE 5:1		SHEET 2 OF 6	REV B

LOC
DW

DIST

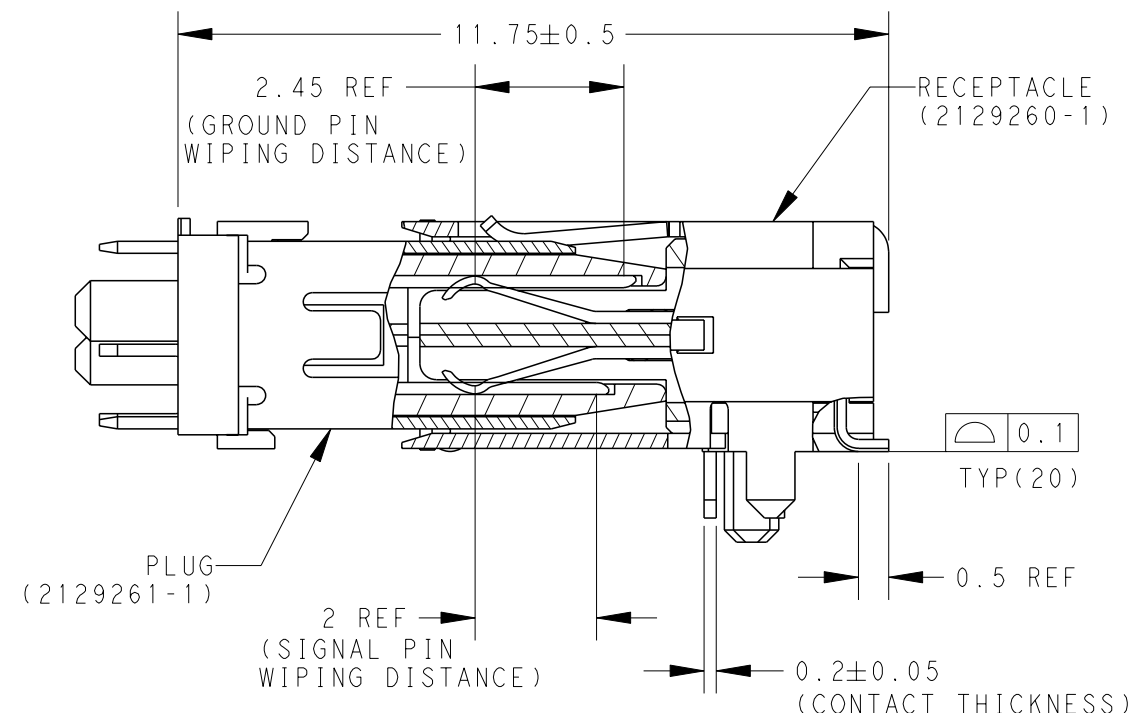
REVISIONS

P	LTR	DESCRIPTION	DATE	DWN	APVD
		SEE SHEET 1			



VIEW A

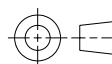
2129260-2 IS SAME AS 2129260-1



MATING CONDITION

THIS DRAWING IS A CONTROLLED DOCUMENT.

DIMENSIONS:
mm



TOLERANCES UNLESS OTHERWISE SPECIFIED:

- 0 PLC ±
- 1 PLC ± ±0.25
- 2 PLC ± ±3°
- 3 PLC ±
- 4 PLC ANGLES ±
- FINISH -

MATERIAL -

DWN	-
CHK	-
APVD	-
PRODUCT SPEC	-
APPLICATION SPEC	-
WEIGHT	-
CUSTOMER DRAWING	-



TE Connectivity

NAME
RECEPTACLE ASSY, 0.6mm PITCH
CHAMP DOCKING CONNECTOR, 40POS

SIZE	CAGE CODE	DRAWING NO	RESTRICTED TO
A3	00779	C=2129260	-

SCALE 5:1 SHEET 3 OF 6 REV B

4

3

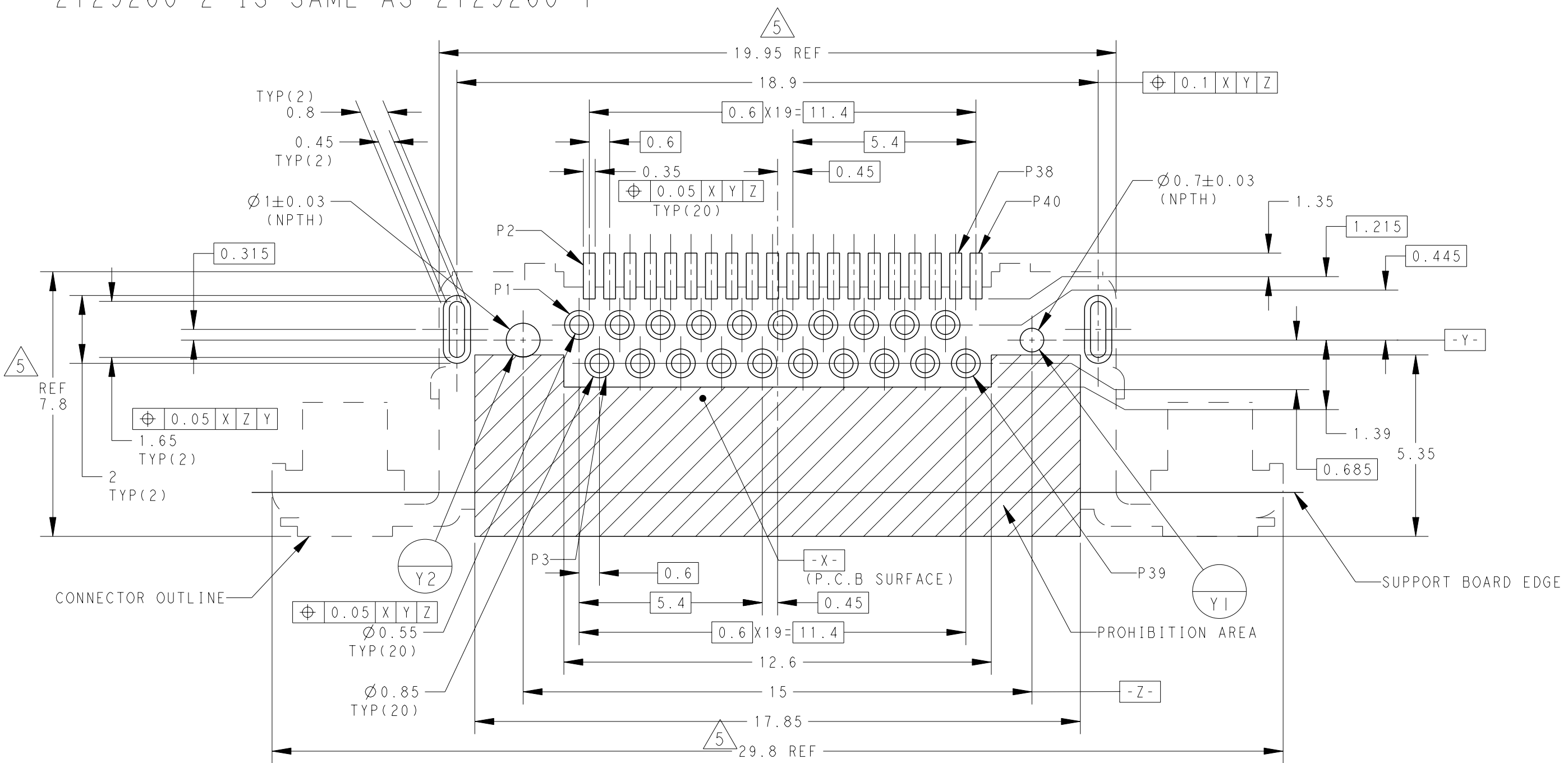
2

1

THIS DRAWING IS UNPUBLISHED. RELEASED FOR PUBLICATION 20
 © COPYRIGHT 20 BY - ALL RIGHTS RESERVED.

LOC	DIST	REVISIONS			
P	LTR	DESCRIPTION	DATE	DWN	APVD
DW		SEE SHEET 1			

2129260-2 IS SAME AS 2129260-1



RECOMMENDED P.C. BOARD LAYOUT (TOP VIEW)

5 CONNECTOR OUTLINE
 6 SUPPORT BOARD EDGE

THIS DRAWING IS A CONTROLLED DOCUMENT.		DWN	-	
DIMENSIONS: mm		CHK	-	
TOLERANCES UNLESS OTHERWISE SPECIFIED:		APVD	-	
0 PLC ±		PRODUCT SPEC	-	
1 PLC ± ±0.05		APPLICATION SPEC	-	
2 PLC ± ±3°		WEIGHT	-	
3 PLC ±		CUSTOMER DRAWING	-	
4 PLC ±		SCALE	8:1	
ANGLES ±		SHEET	4 OF 6	
FINISH -		REV	B	

TE Connectivity
 NAME: RECEPTACLE ASSY, 0.6mm PITCH CHAMP DOCKING CONNECTOR, 40POS
 SIZE: A3 CAGE CODE: 00779 DRAWING NO: 2129260 RESTRICTED TO: -
 SCALE: 8:1 SHEET: 4 OF 6 REV: B

4

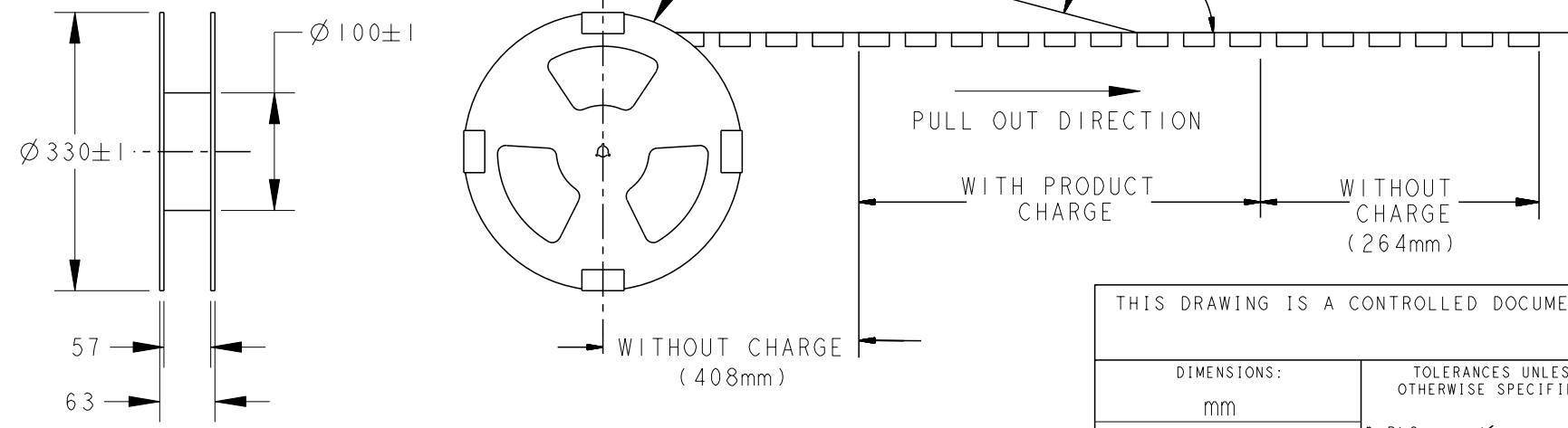
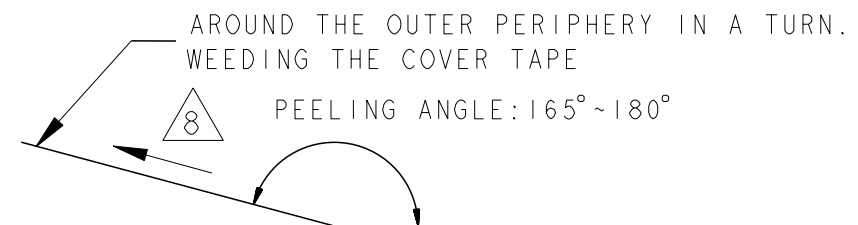
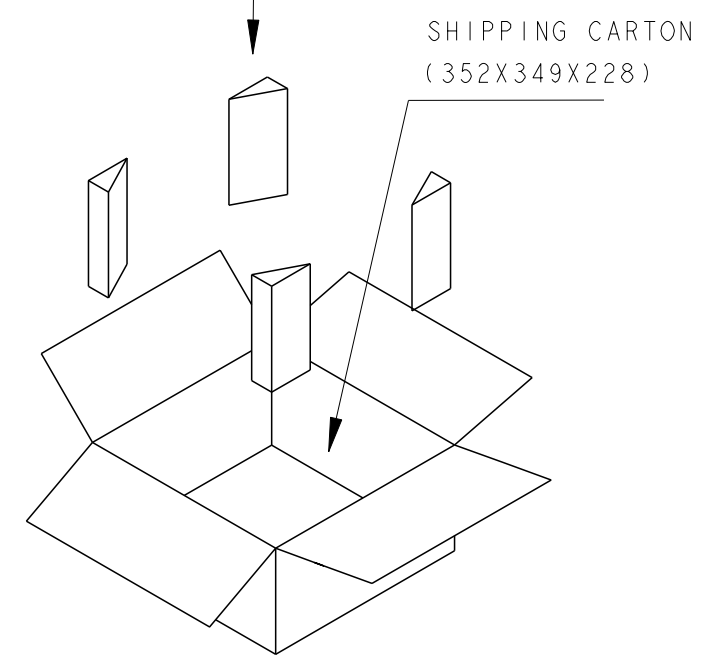
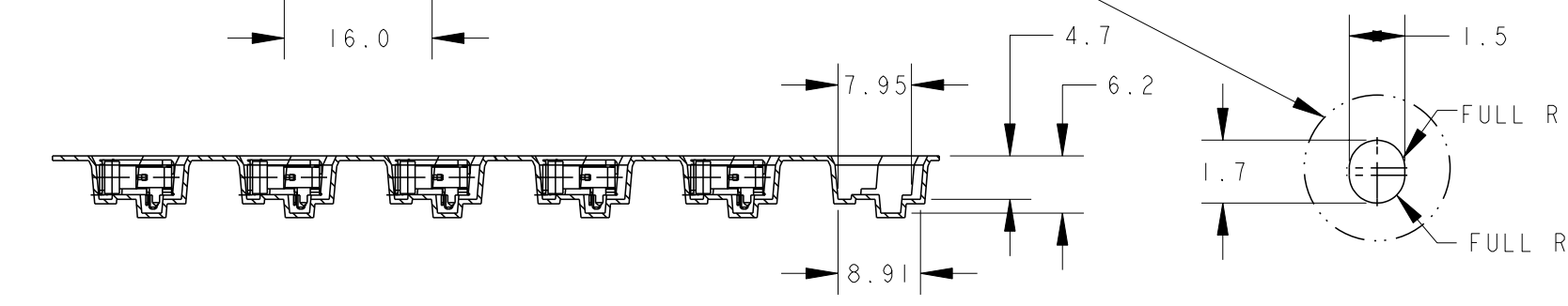
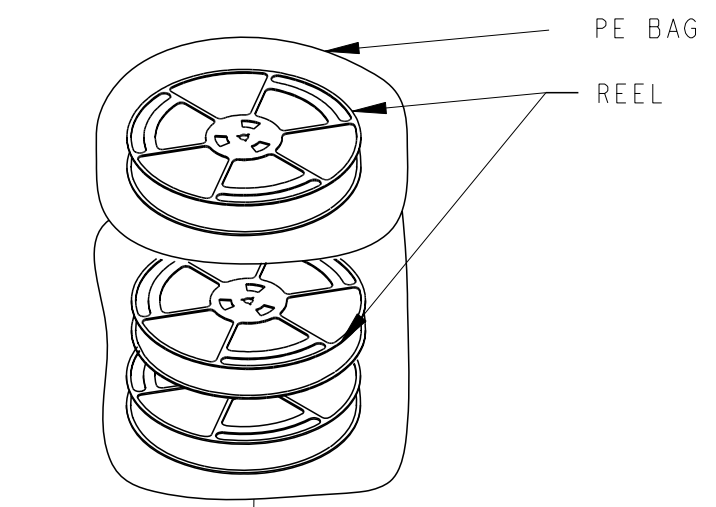
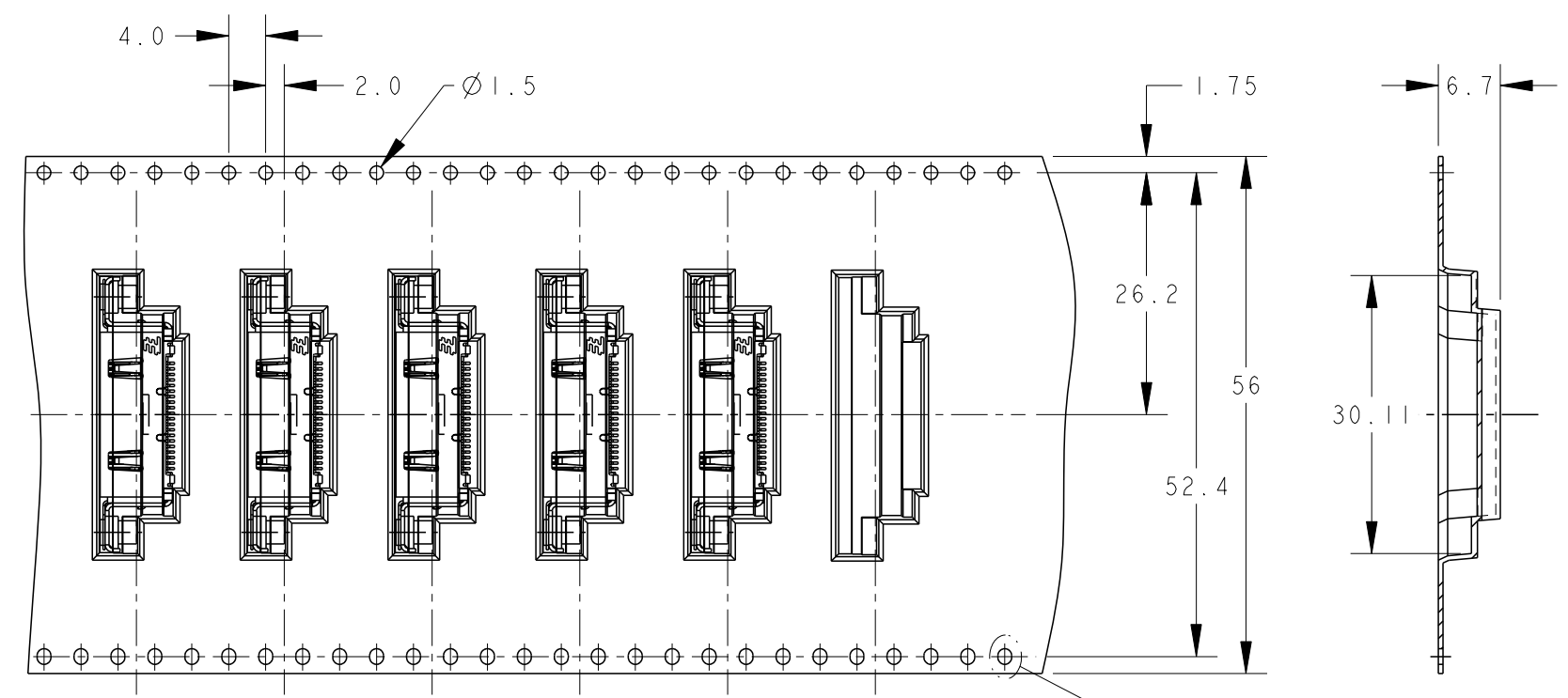
3

2

1

THIS DRAWING IS UNPUBLISHED. RELEASED FOR PUBLICATION 20
 © COPYRIGHT 20 BY - ALL RIGHTS RESERVED.

LOC		DIST		REVISIONS			
P	LTR	DESCRIPTION	DATE	DWN	APVD		
SEE SHEET 1							



7. PACKING MATERIAL:
 CARRY TAPE: PS; COLOR:BLACK.
 COVER TAPE: PET; COLOR: CLEAR.
 PEELING STRENGTH OF COVER TAPE: 0.2N~1.2N

2129260-1	600	3	1800
P/N	PCS/TAPE	REELS/CARTON	TOTAL QUANTITY

THIS DRAWING IS A CONTROLLED DOCUMENT.

DIMENSIONS: mm	TOLERANCES UNLESS OTHERWISE SPECIFIED:	DWN	-
0 PLC	±	CHK	-
1 PLC	±	APVD	-
2 PLC	± ±0.5	PRODUCT SPEC	-
3 PLC	± ±3°	APPLICATION SPEC	-
4 PLC	±	WEIGHT	-
ANGLES	±	<p>STE TE Connectivity</p> <p>NAME: RECEPTACLE ASSY, 0.6mm PITCH CHAMP DOCKING CONNECTOR, 40POS</p>	
FINISH	-	SIZE	A3
MATERIAL	-	CAGE CODE	00779
CUSTOMER DRAWING		DRAWING NO	C-2129260
		RESTRICTED TO	-
		SCALE	5:1
		SHEET	5 OF 6
		REV	B

4

3

2

1

THIS DRAWING IS UNPUBLISHED.

RELEASED FOR PUBLICATION

20

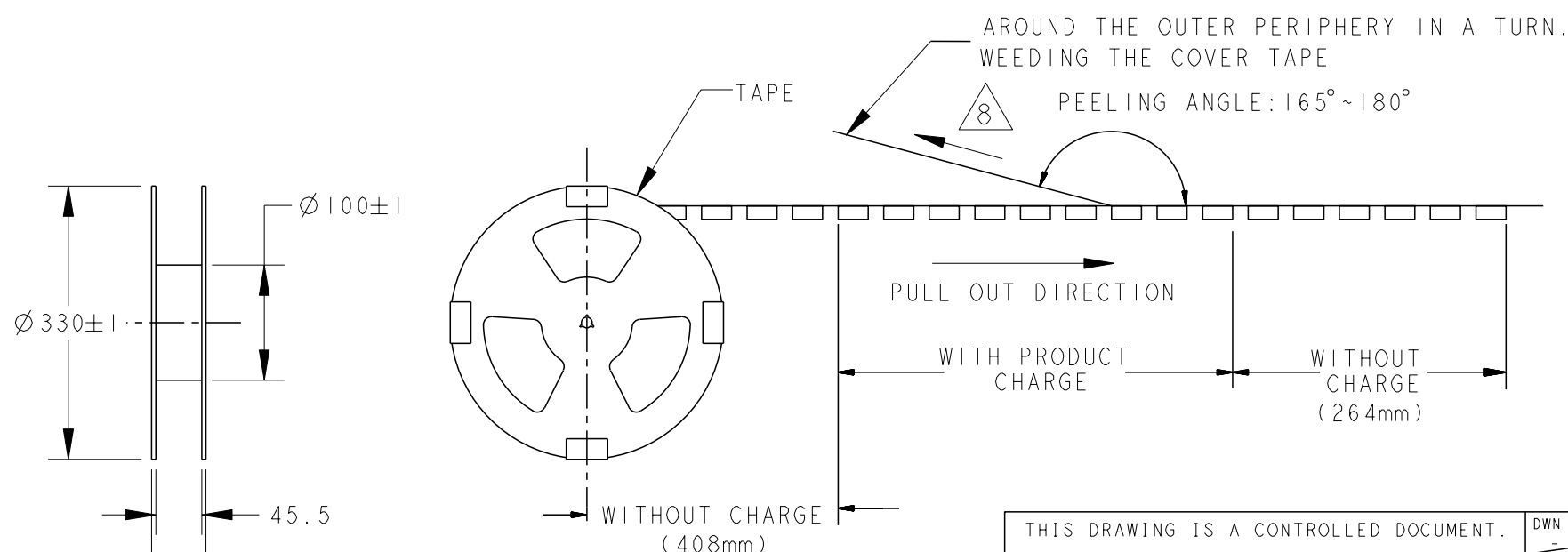
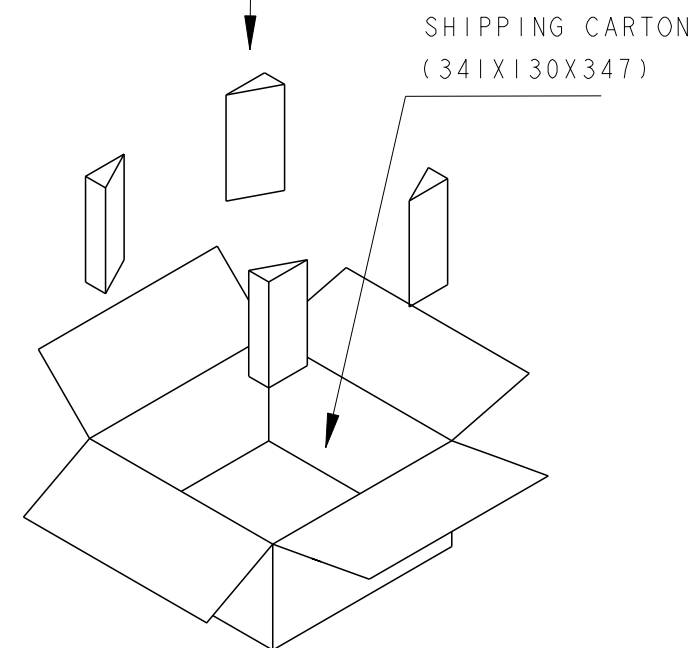
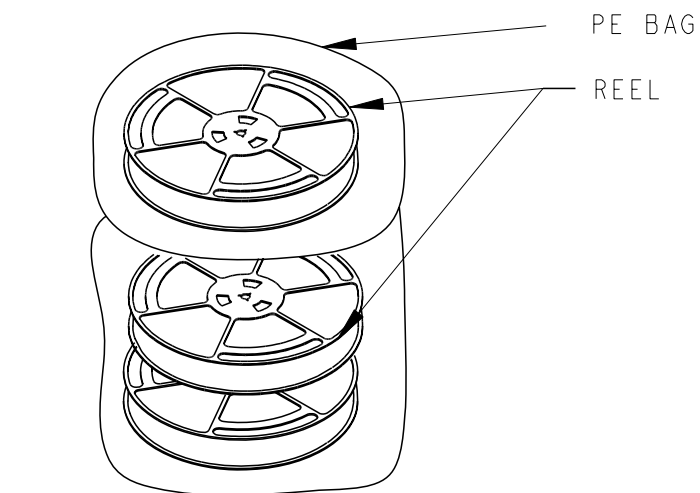
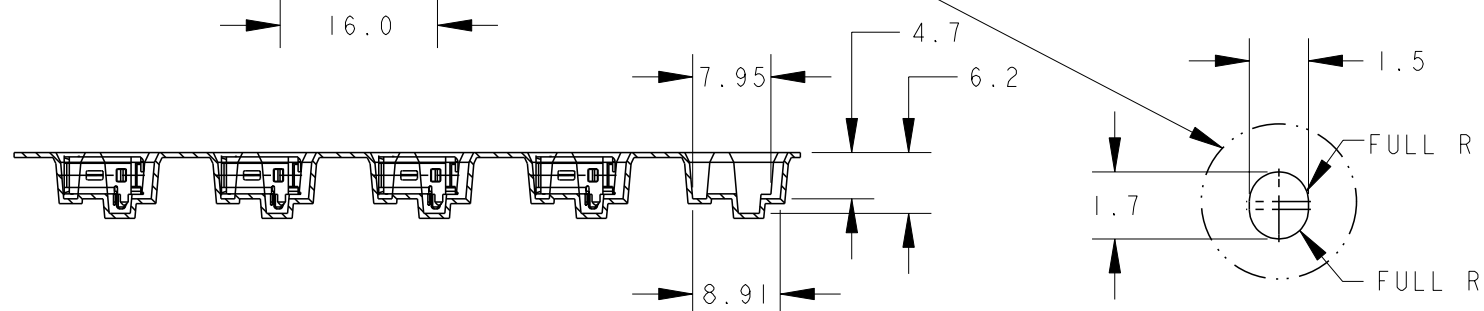
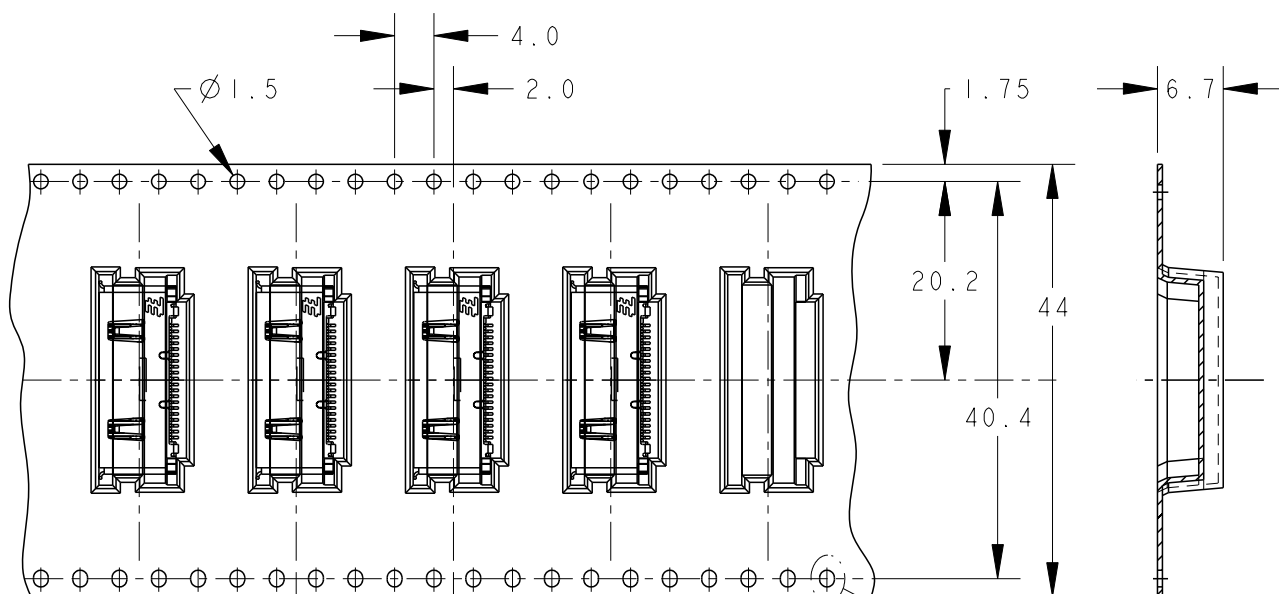
© COPYRIGHT 20 BY -

ALL RIGHTS RESERVED.

LOC DW DIST

REVISIONS

P	LTR	DESCRIPTION	DATE	DWN	APVD
		SEE SHEET 1			



P/N	PCS/TAPE	REELS/CARTON	TOTAL QUANTITY
2129260-2	600	2	1200

THIS DRAWING IS A CONTROLLED DOCUMENT.		DWN	-
DIMENSIONS: mm		CHK	-
TOLERANCES UNLESS OTHERWISE SPECIFIED:		APVD	-
0 PLC	±	PRODUCT SPEC	-
1 PLC	±	APPLICATION SPEC	-
2 PLC	±	±0.5	-
3 PLC	±	±3°	-
4 PLC	±	-	-
ANGLES	±	WEIGHT	-
FINISH	-	CUSTOMER DRAWING	-

DWN		-	
CHK		-	
APVD		-	
PRODUCT SPEC		-	
APPLICATION SPEC		-	
WEIGHT		-	
CUSTOMER DRAWING		-	
SCALE 5:1		SHEET 6 OF 6	
REV B		-	

STE TE Connectivity

RECEPTACLE ASSY, 0.6mm PITCH
CHAMP DOCKING CONNECTOR, 40POS

NAME	SIZE	CAGE CODE	DRAWING NO	RESTRICTED TO
	A3	00779	C-2129260	-

单击下面可查看定价，库存，交付和生命周期等信息

[>>TE Connectivity\(泰科\)](#)