

THIS DRAWING IS UNPUBLISHED.

RELEASED FOR PUBLICATION

ALL RIGHTS RESERVED.

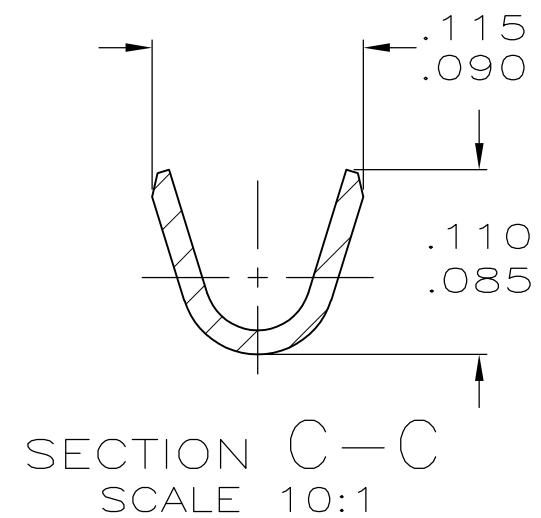
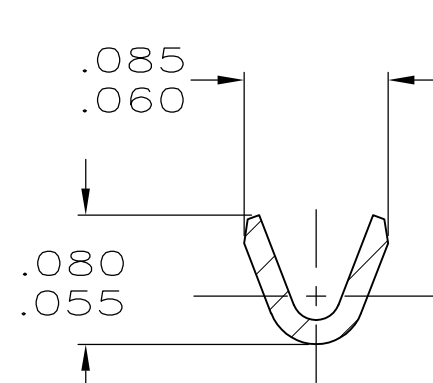
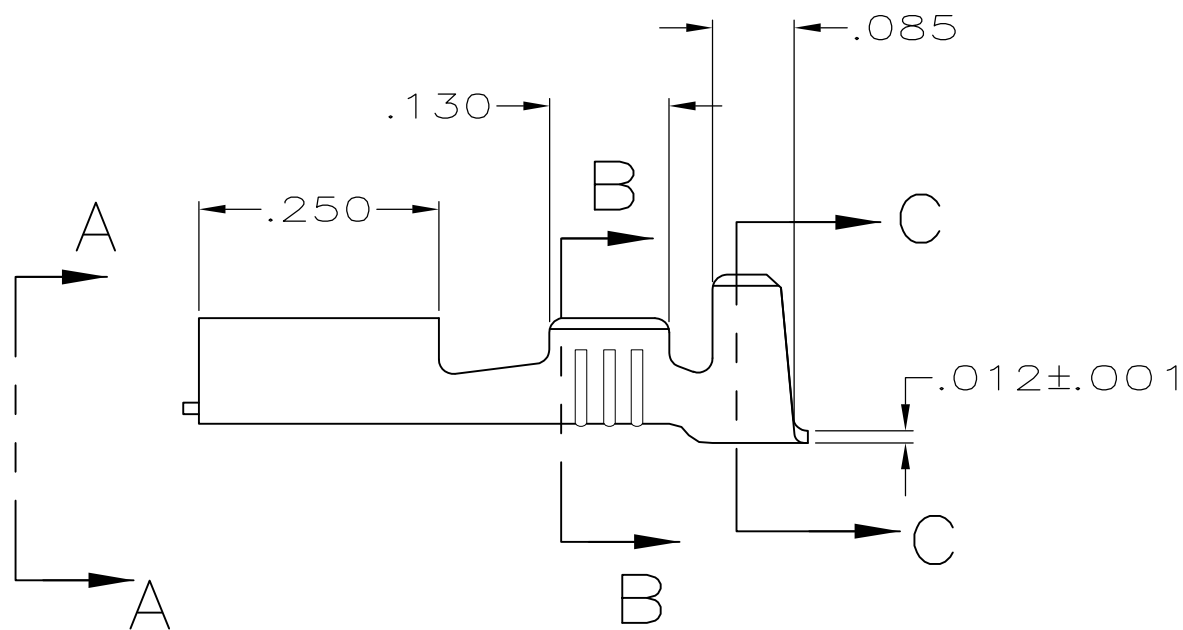
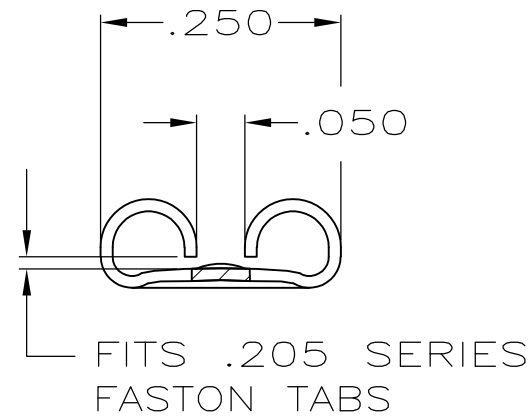
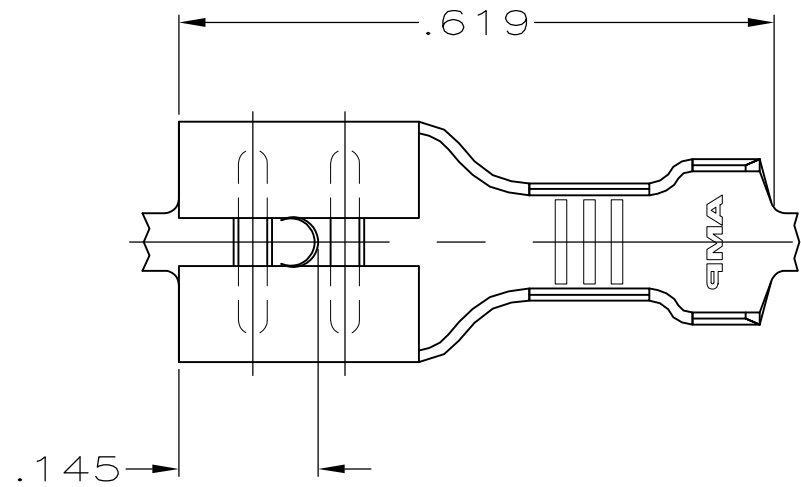
© COPYRIGHT - By -

LOC AF DIST 50

REVISIONS

| P | LTR | DESCRIPTION | DATE | DWN | APVD |
|---|-----|---------------------------|---------|-----|------|
| | F | REVISED PER ECR-12-013445 | 09NOV12 | KH | PD |

- 1 CONTINUOUS STRIP ON REELS.
- 2 FEED TO BE $.689 \pm .005$



OBSOLETE

.050-.070 DIA

26-22 AWG

TIN

.020

60674-2

60674-1

INSULATION RANGE

WIRE SIZE

FINISH

MATING TAB THK ± .001

PART NUMBER

THIS DRAWING IS A CONTROLLED DOCUMENT.

DWN JR RUTH 7/8/91

CHK MS FEHER 7/8/91

APVD C MEYERS 7/8/91

PRODUCT SPEC D REINER 7/8/91

APPLICATION SPEC

WEIGHT

CUSTOMER DRAWING

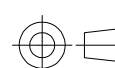


RECEPTACLE, FASTON, .205 SERIES

| | | | |
|------|-----------|------------|---------------|
| SIZE | CAGE CODE | DRAWING NO | RESTRICTED TO |
| A3 | 00779 | C-60674 | - |

DIMENSIONS: INCHES

TOLERANCES UNLESS OTHERWISE SPECIFIED:



| | |
|--------|--------|
| 0 PLC | ± - |
| 1 PLC | ± - |
| 2 PLC | ± .010 |
| 3 PLC | ± - |
| 4 PLC | ± - |
| ANGLES | ± - |

| | |
|----------|-----------|
| MATERIAL | FINISH |
| BRASS | SEE TABLE |

| | | |
|-------|--------|-----|
| SCALE | SHEET | REV |
| 5:1 | 1 OF 1 | F |

单击下面可查看定价，库存，交付和生命周期等信息

[>>TE Connectivity\(泰科\)](#)