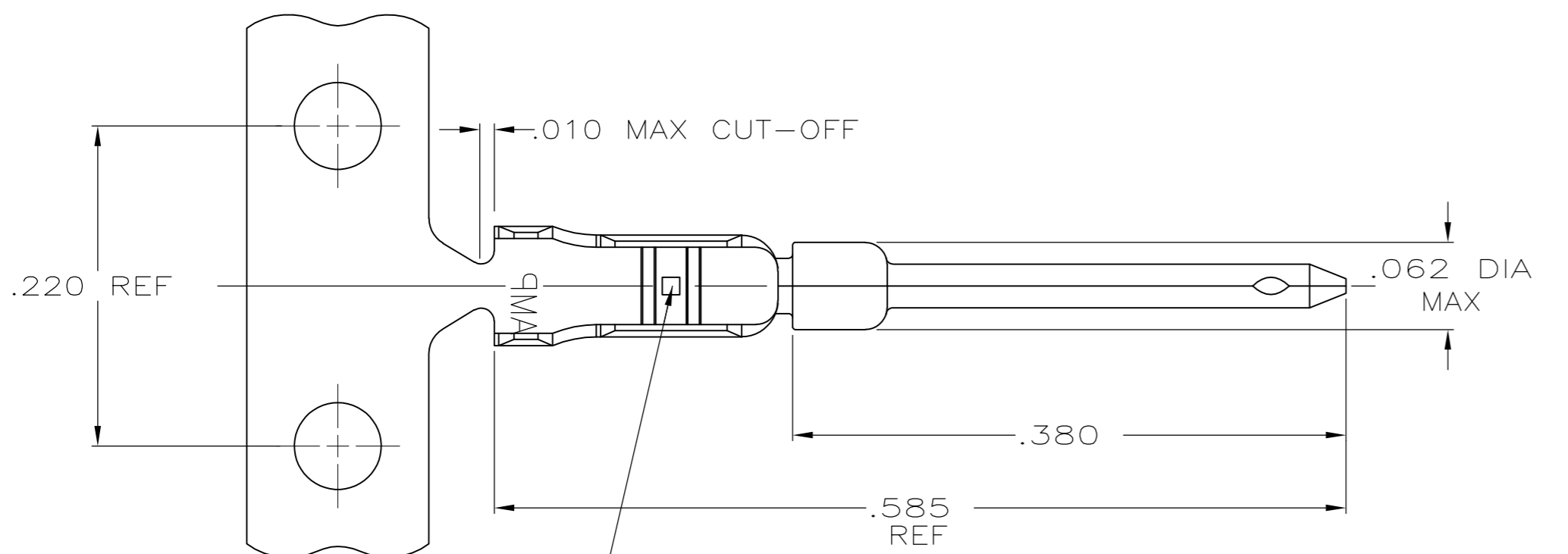
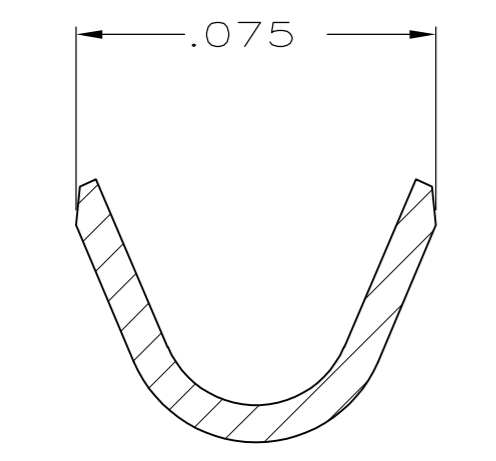
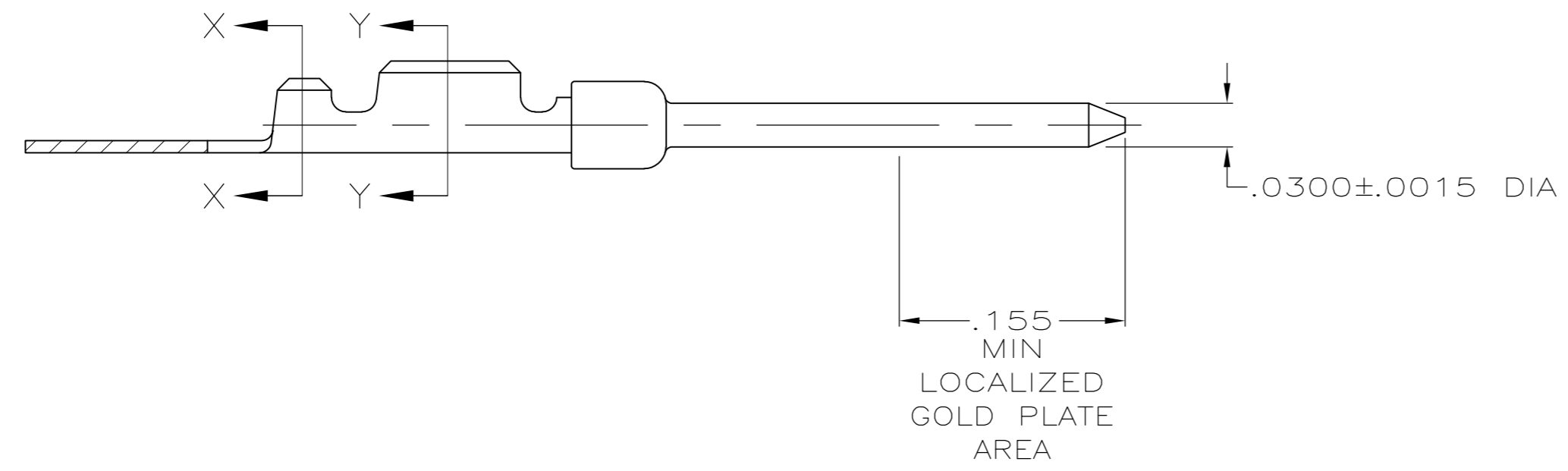


THIS DRAWING IS UNPUBLISHED. RELEASED FOR PUBLICATION
 © COPYRIGHT - By - ALL RIGHTS RESERVED.

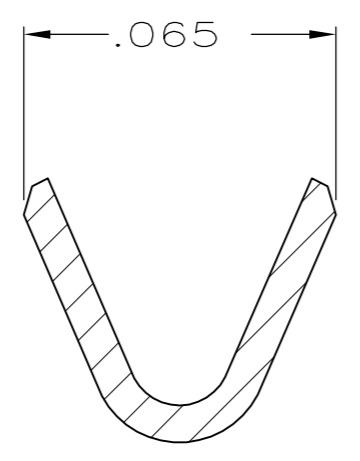
LOC		DIST		REVISIONS			
P	LTR	DESCRIPTION		DATE	DWN	APVD	
GP	00	K	REVISED PER ECO-11-012231	12SEP2011	CJV	CWR	



COLOR CODED GREEN, ON FAR SIDE INDICATES 22-28 AWG WIRE RANGE LOOSE PIECE ONLY



SECTION X-X
INSULATION BARREL
SCALE 25:1



SECTION Y-Y
WIRE BARREL
SCALE 25:1

- ⚠ FOR MINI APPLICATOR.
- ⚠ FOR HAND TOOL USE ONLY.
- 3. WIRE RANGE OF 22-28, INSULATION RANGE OF .030-.040.
- ⚠ GOLD PLATING PER MIL-G-45204, NICKEL PLATING PER QQ-N-290, TIN PLATING PER MIL-T-10727.
- ⚠ GOLD PLATED IN LOCALIZED GOLD PLATED AREA, 000030 MIN GOLD IN MATED AREA, .000100 MIN TIN IN WIRE & INSULATION BARRELS, BOTH OVER .000050 MIN NICKEL.
- ⚠ GOLD FLASH IN LOCALIZED GOLD PLATE AREA, .000100 MIN TIN IN WIRE & INSULATION BARRELS, BOTH OVER .000030 MIN NICKEL.
- ⚠ .000050 MIN GOLD OVER .000050 MIN NICKEL ON ENTIRE CONTACT.
- ⚠ GOLD PLATED IN LOCALIZED GOLD PLATED AREA, 000015 MIN GOLD IN MATED AREA, .000100 MIN TIN IN WIRE & INSULATION BARRELS, BOTH OVER .000050 MIN NICKEL.
- ⚠ GOLD PLATING ON THE CARRIER STRIP IS NOT REQUIRED.

PACKAGING TYPE	FINISH	USE	TYPE	PART NUMBER	
SUPERSEDED BY 748333-2	STANDARD	⚠8 ⚠9	⚠1	STRIP	1-748333-5
OBSOLETE	SMALL PACK	⚠5	⚠2	LOOSE PIECE	1-748333-4
	STANDARD	⚠7 ⚠9	⚠1	STRIP	748333-9
OBSOLETE AMP BRAZIL USE ONLY	STANDARD	-	⚠1	STRIP	748333-8
OBSOLETE	STANDARD	⚠6	⚠2	LOOSE PIECE	748333-7
OBSOLETE	STANDARD	⚠6	⚠1	STRIP	748333-5
OBSOLETE	STANDARD	⚠5	⚠2	LOOSE PIECE	748333-4
OBSOLETE	STANDARD	⚠5	⚠1	STRIP	748333-2

THIS DRAWING IS A CONTROLLED DOCUMENT.		DWN C.RICHARD 09/25/86	TE TE Connectivity												
		CHK S.WELDON 09/26/86													
DIMENSIONS: INCHES		TOLERANCES UNLESS OTHERWISE SPECIFIED:		NAME											
<table border="1"> <tr><td>0 PLC</td><td>± -</td></tr> <tr><td>1 PLC</td><td>± -</td></tr> <tr><td>2 PLC</td><td>± -</td></tr> <tr><td>3 PLC</td><td>± .005</td></tr> <tr><td>4 PLC</td><td>± -</td></tr> <tr><td>ANGLES</td><td>± -</td></tr> </table>		0 PLC	± -		1 PLC	± -	2 PLC	± -	3 PLC	± .005	4 PLC	± -	ANGLES	± -	PRODUCT SPEC
0 PLC	± -														
1 PLC	± -														
2 PLC	± -														
3 PLC	± .005														
4 PLC	± -														
ANGLES	± -														
MATERIAL BRASS PER MIL-C-50		FINISH SEE TABLE, NOTE 4		APPLICATION SPEC											
		WEIGHT -		SIZE CAGE CODE DRAWING NO											
		CUSTOMER DRAWING		A2 00779 C=748333											
		SCALE 10:1		SHEET 1 of 1 REV K											

单击下面可查看定价，库存，交付和生命周期等信息

[>>TE Connectivity\(泰科\)](#)