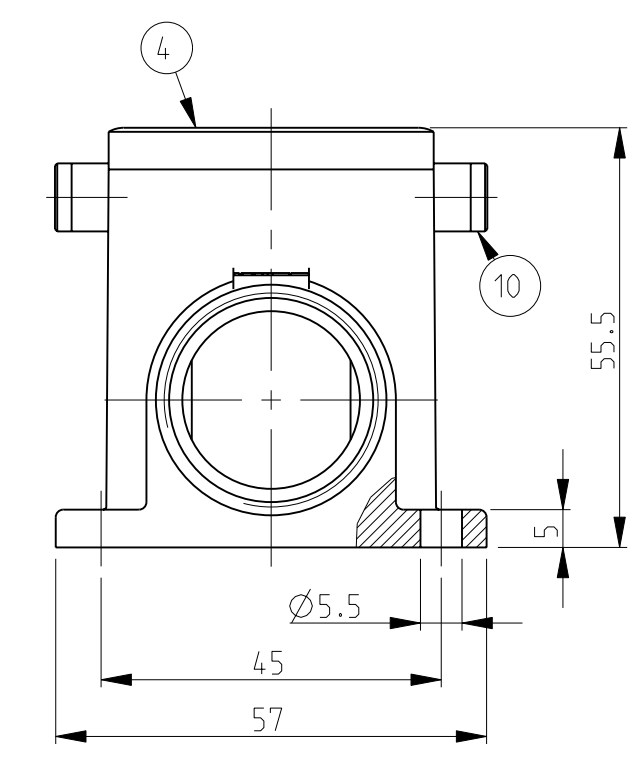
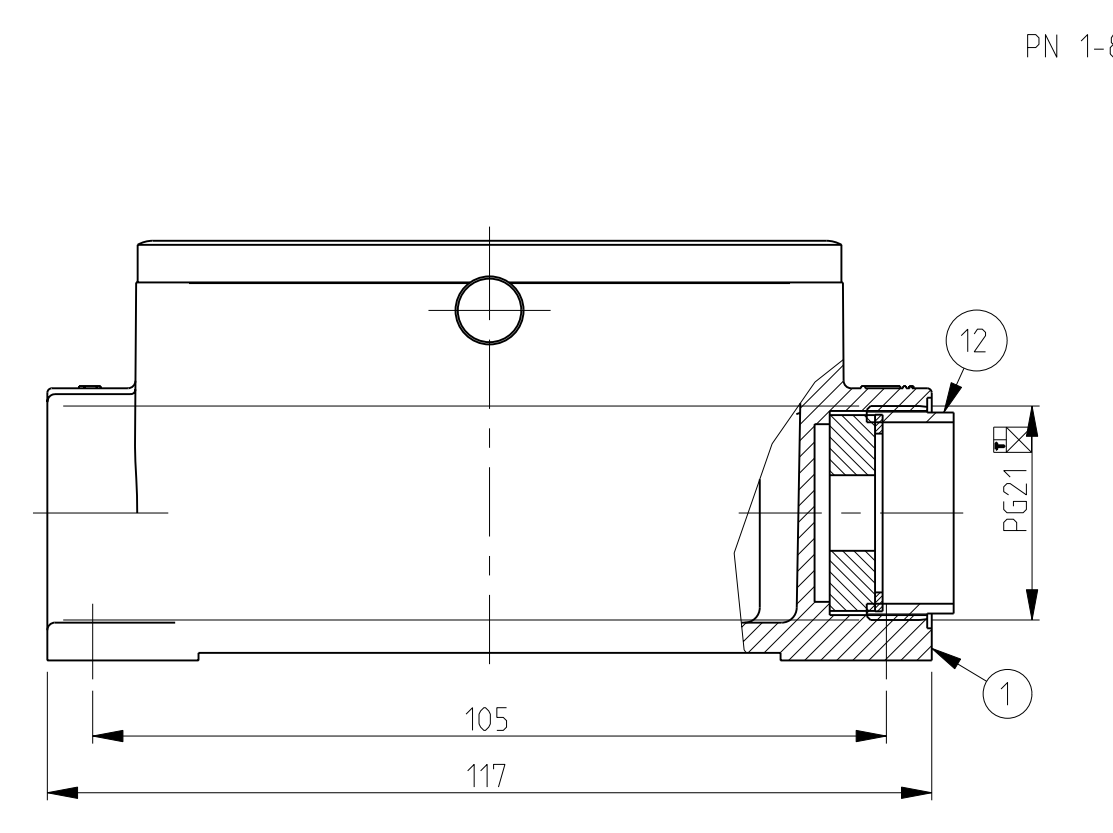
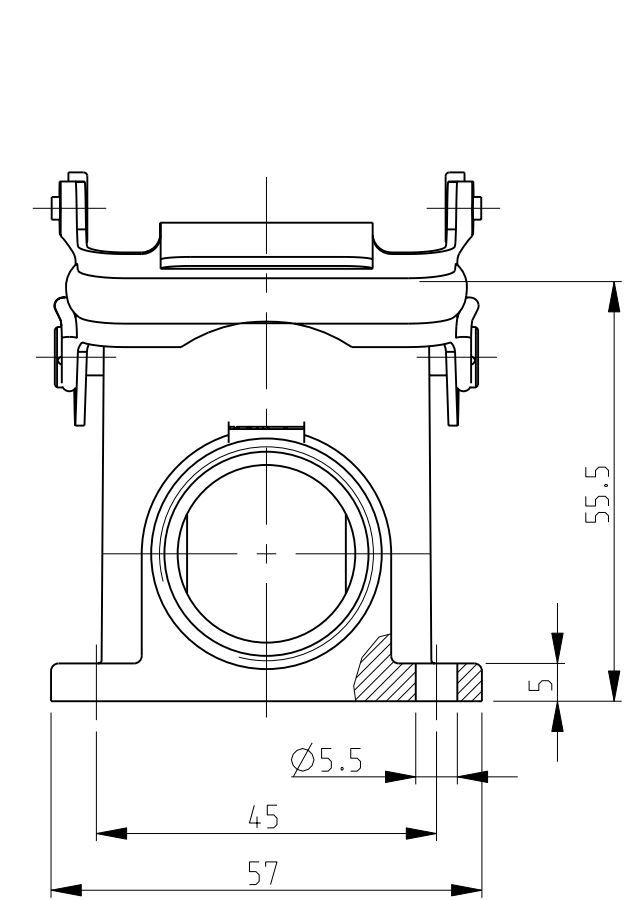
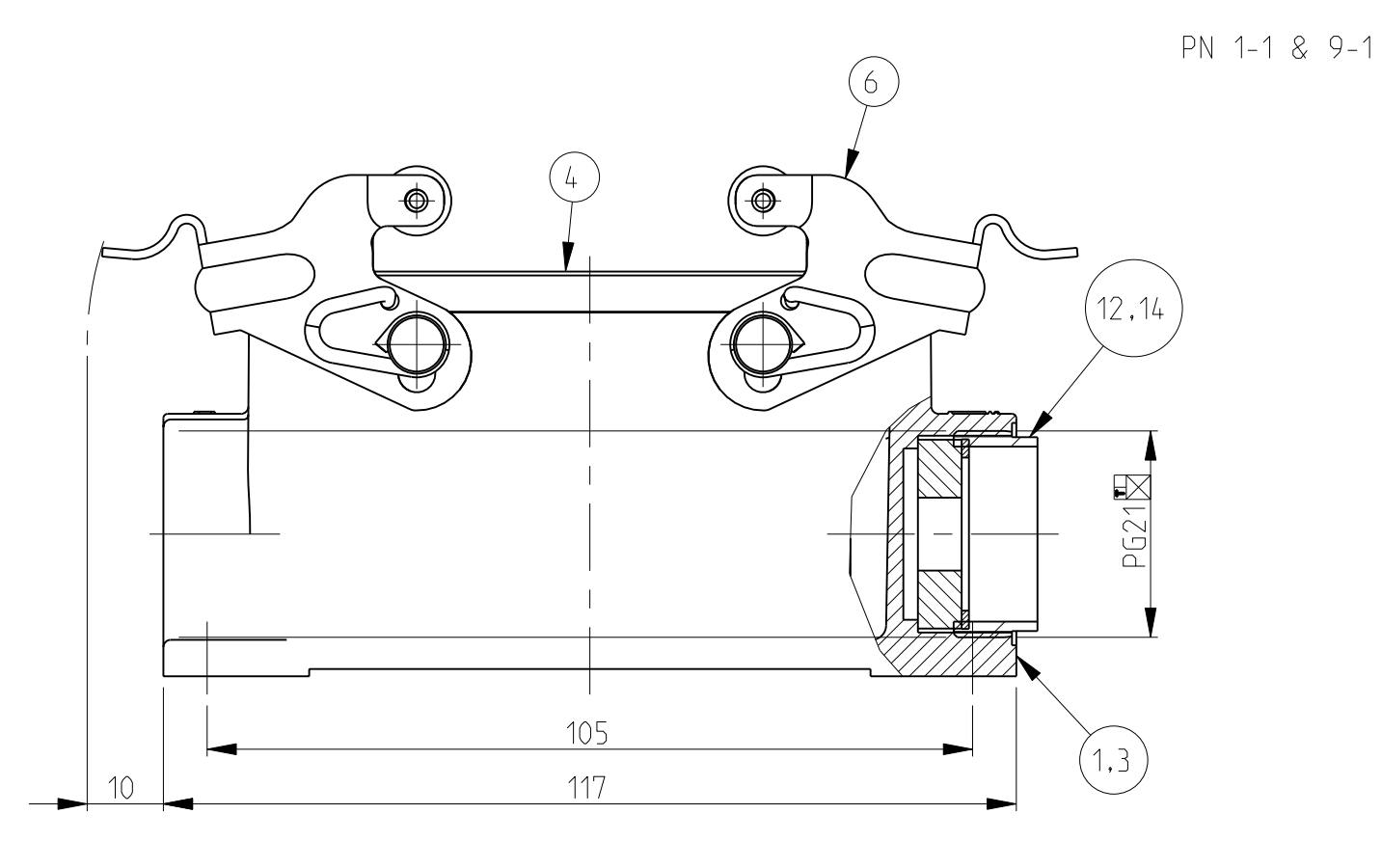
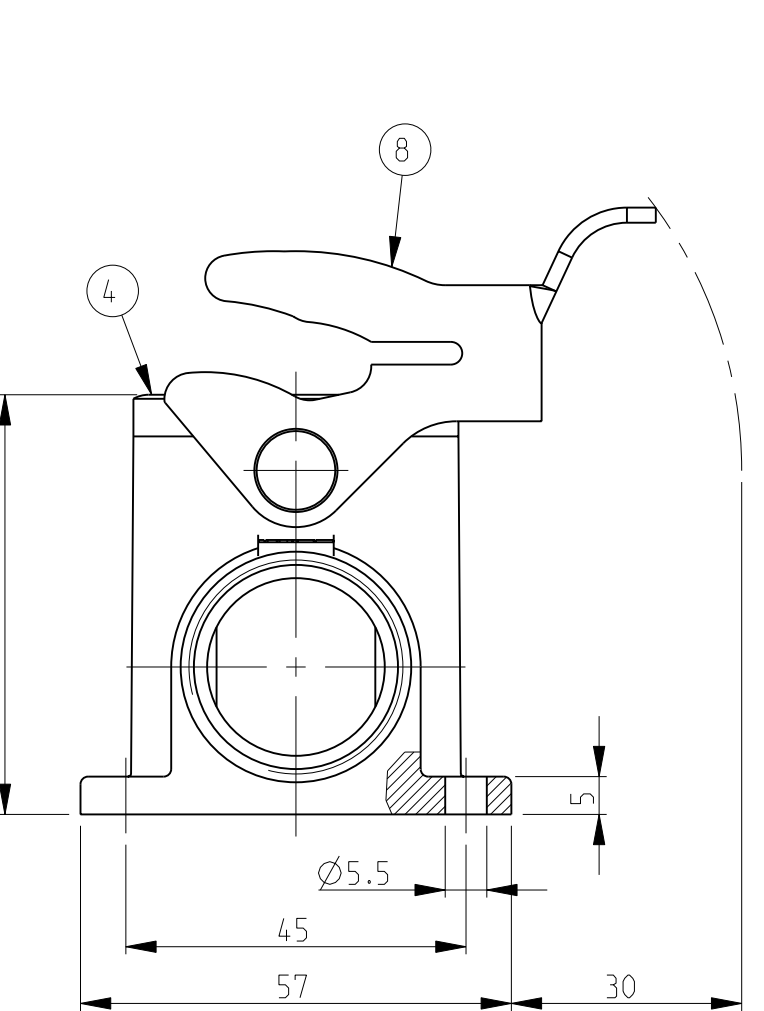
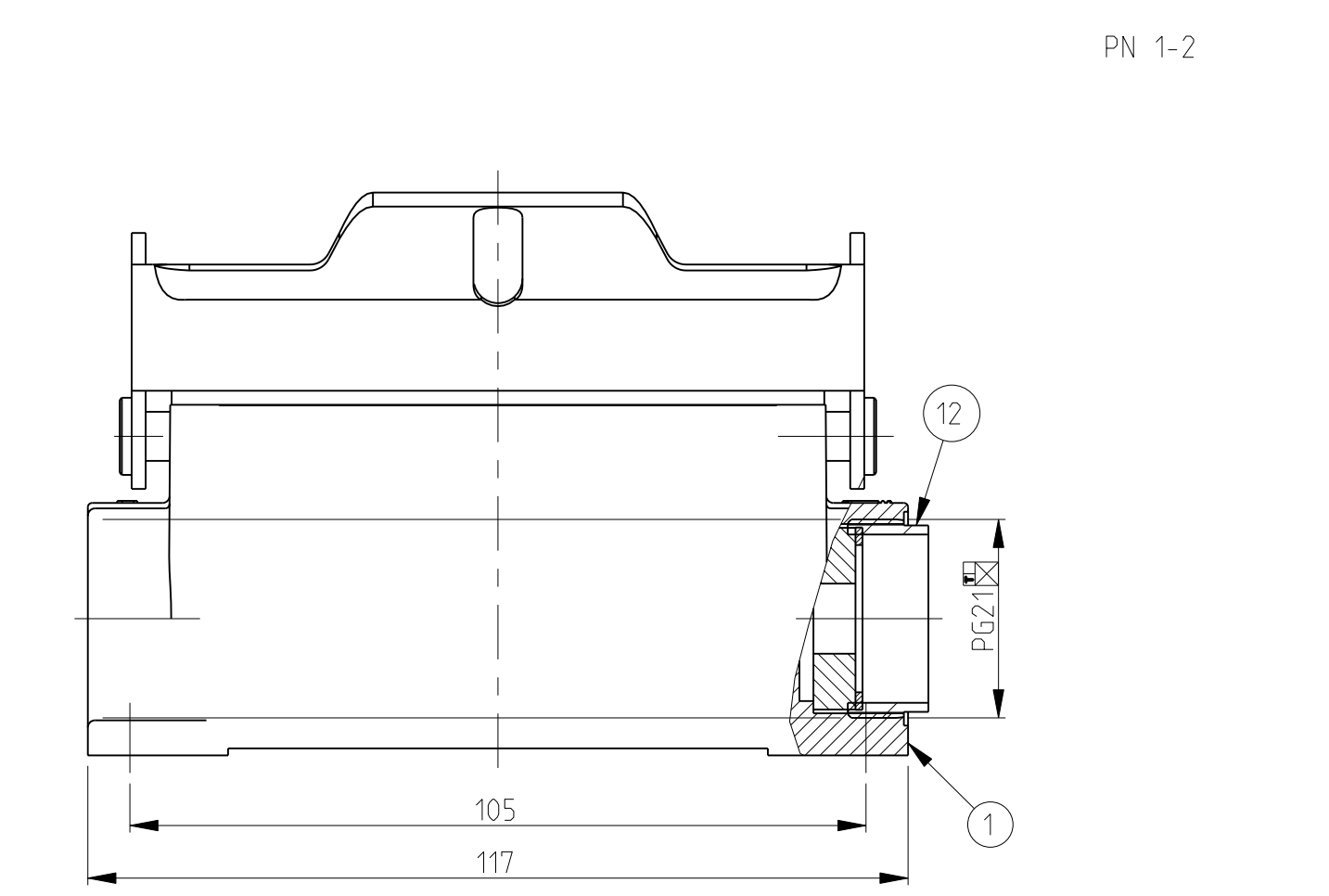
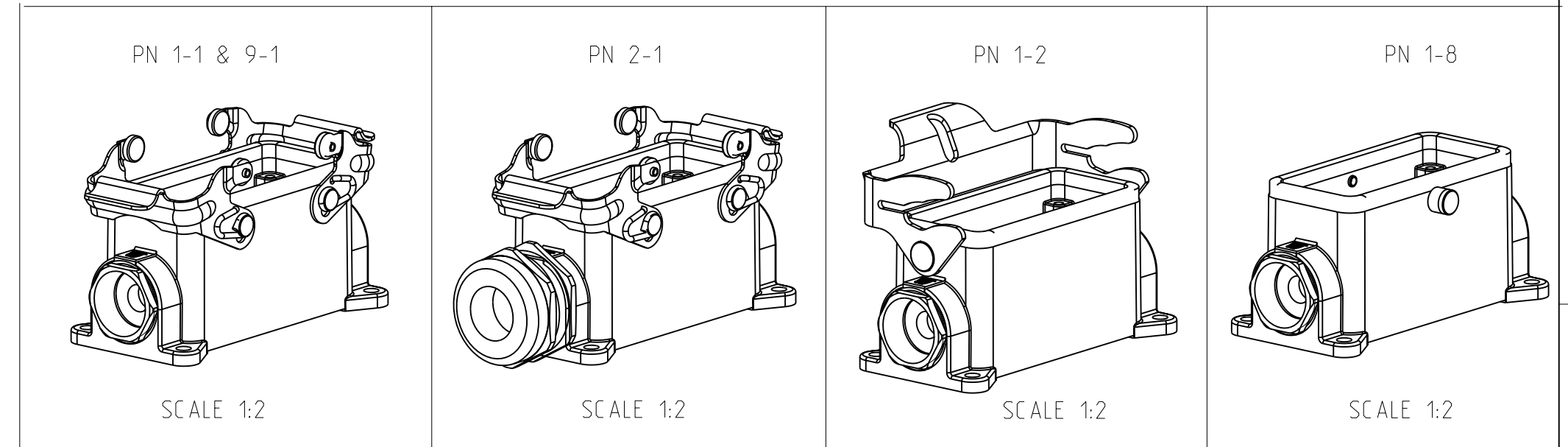
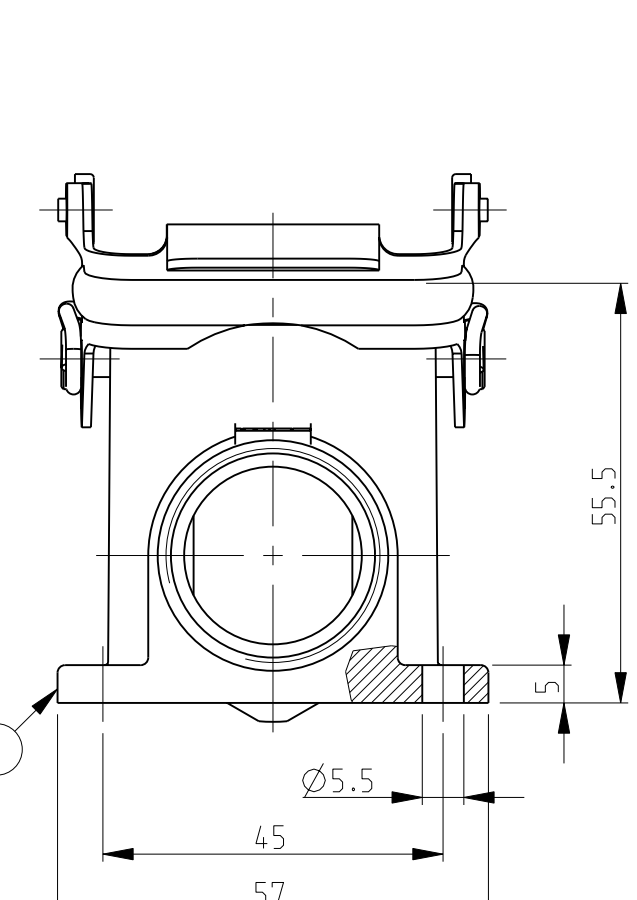
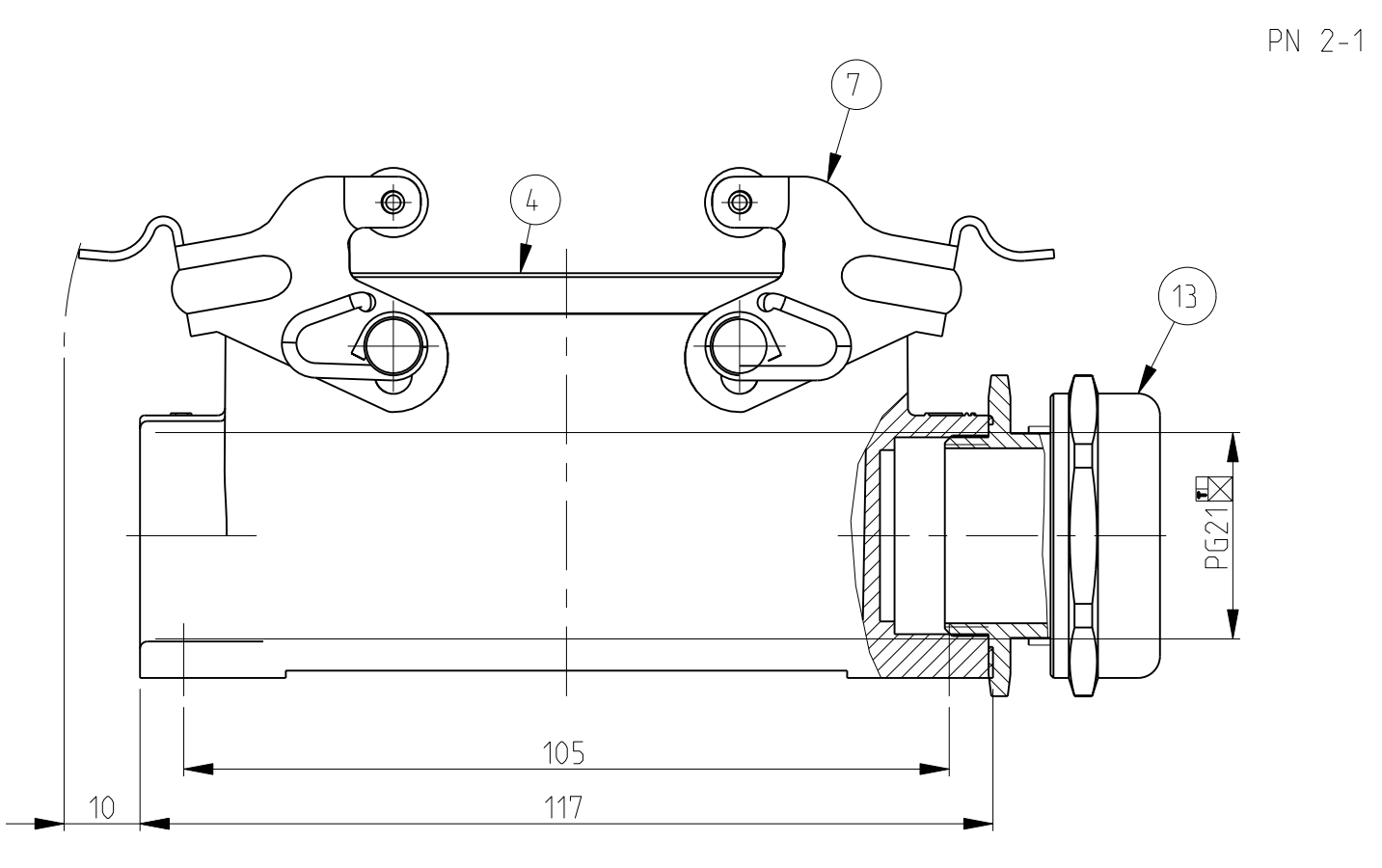


LOC	DIST	REVISIONS			
P	LTB	DESCRIPTION	DATE	DWN	APVD
A5	ECR-16-016768		15NOV2017	GR	MKO



- NOTES.
- Material:Housing:Aluminium Diecasting Alloy
Seals:Neoprene
 - Surface:Varnish grey
-Aluminium Oxide +Varnish Black
 - Varnish on the inside not necessary
 - Packaging
Quantity 5 Pieces in a box
 - OBsolete PARTS: OBSOLETE CIS STREAMLINING PER D.RENAUD/D.SINISI



QTY	DESCRIPTION	MATERIAL	SURFACE	COLOR	ITEM NO	REMARKS
1	DS-Cable fitting Pg21	Brass	Nickel plated		14	Sealing with viton
1	Hut-Gland Fitting Pg21	Brass	Nickel plated		13	
1	DS-Cable fitting Pg21	Brass	Nickel plated		12	
2	ZB-Clip Positioner	Stainless steel			11	
2	ZB-Clip Positioner	Steel	Zinc plated		10	
1	LB-Side Clip	Stainless steel			9	
1	LB-Side Clip	Steel	Zinc plated		8	
2	VS-Locking Clip	Stainless steel			7	
2	VS-Locking Clip	Steel	Zinc plated		6	
1	Profile seal	Viton		Grey	5	
1	Profile seal	Neoprene		Black	4	
1	Surface mounted housing side entry HB.16.Pg.1.21	Aluminium		Without varnish	3	
1	Surface mounted housing side entry HB.16.Pg.1.21	Aluminium	Aluminium oxide	Black RAL 9005	2	
1	Surface mounted housing side entry HB.16.Pg.1.21	Aluminium		Grey RAL 7001	1	
9-1	DESCRIPTION	MATERIAL	SURFACE	COLOR	ITEM NO	REMARKS
ORDERING TEXT						
HB.16.SG-VS.1.21						
HB-K.16.SG-VS.4.21						
HB.16.SG-LB.1.21						
HB-K.16.SG-LB.1.21						
HB-Z.16.SG-ZVGR.1.21						
HB-K/Z.16.SG-ZVGR.1.21						
HB.16.SG-VS.1.21-SO						

DIMENSIONS: mm
 TOLERANCES UNLESS OTHERWISE SPECIFIED:
 0 PLC ±0.1
 1 PLC ±0.2
 2 PLC ±0.3
 3 PLC ±0.4
 4 PLC ±0.5
 ANGLES ±0.5
 FINISH -

DWN: Schneider 21.07.1999
 CHK: Schweiger 21.07.1999
 APVD: -

STE TE Connectivity
 PRODUCT SPEC: 108-74001.74003
 APPLICATION SPEC: 114-74001.74004
 WEIGHT: -
 CUSTOMER DRAWING

NAME: Surface mounted housing side entry HB.16.1.21
 SIZE: A | 00779 | C=1102298
 SCALE: 1:1 SHEET: 1 OF 1 REV: A5

单击下面可查看定价，库存，交付和生命周期等信息

[>>TE Connectivity\(泰科\)](#)