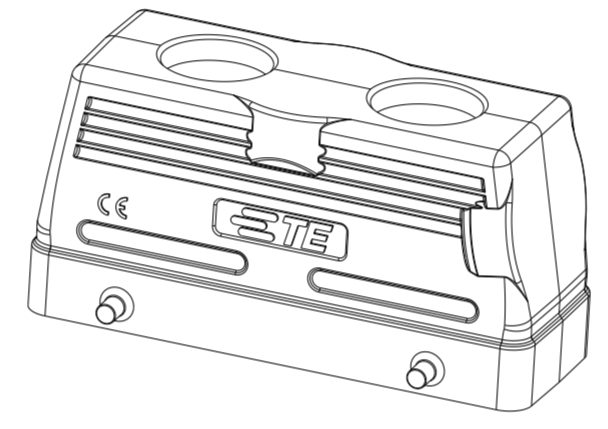
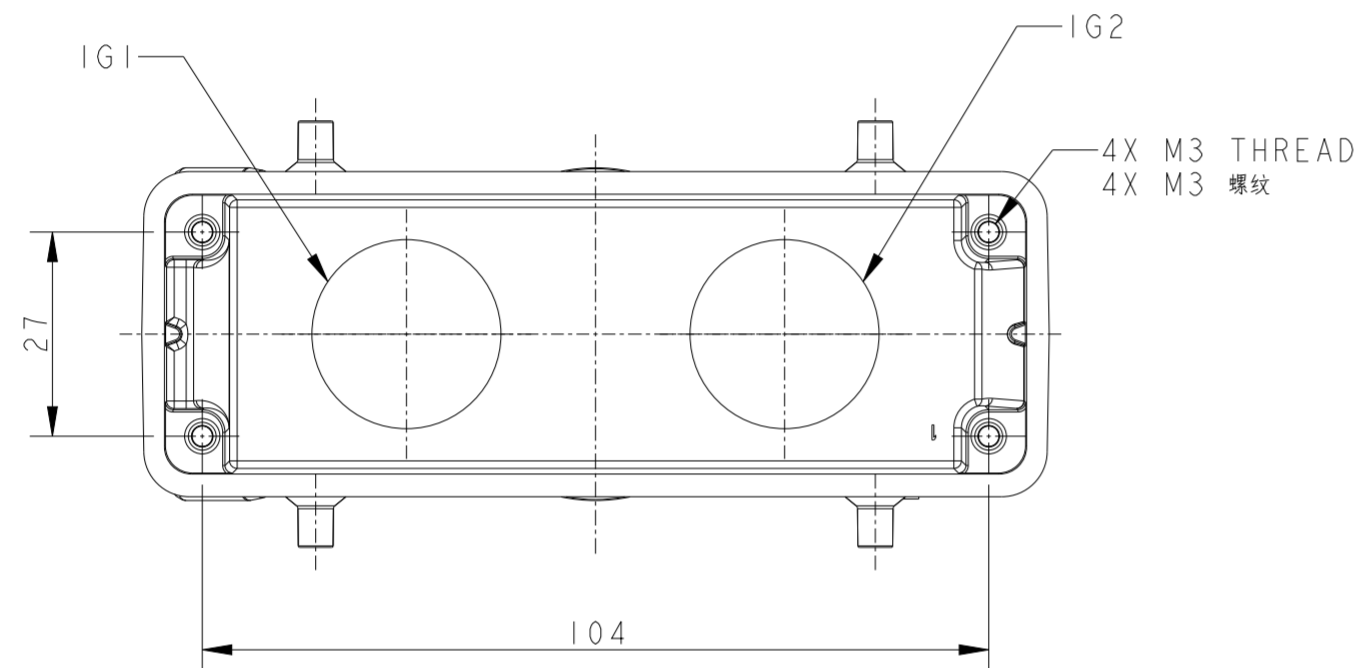
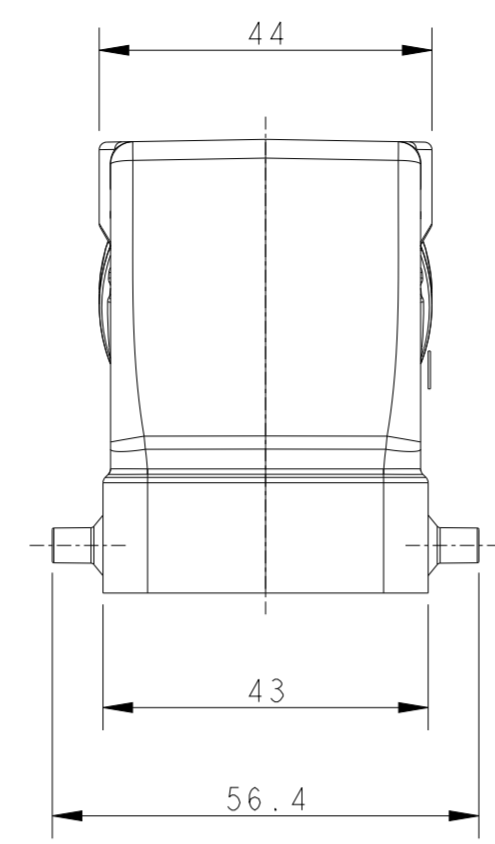
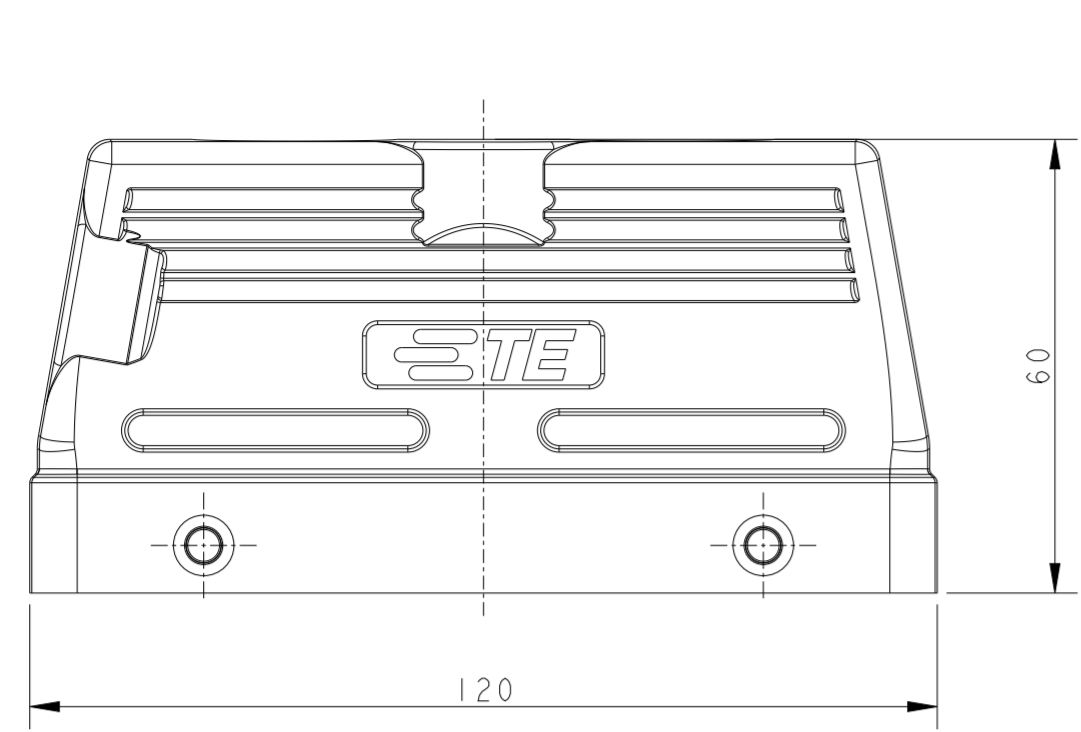


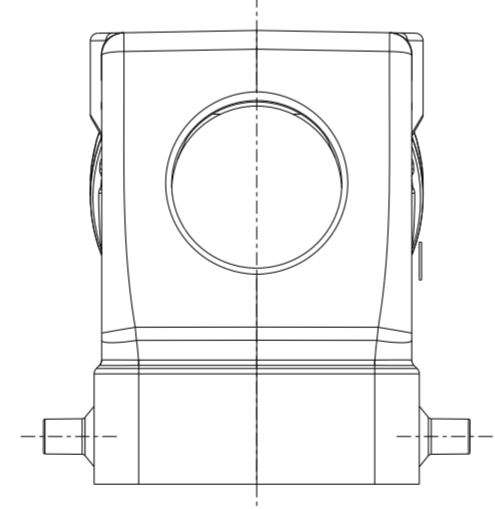
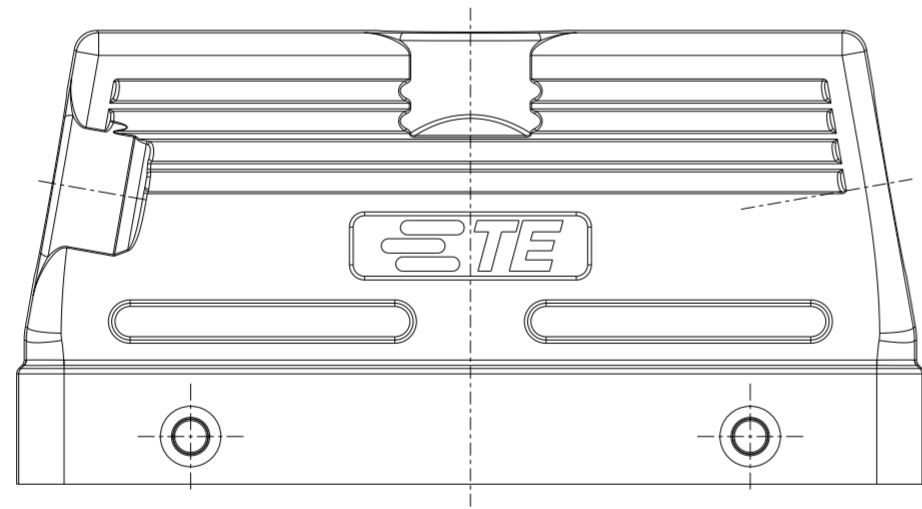
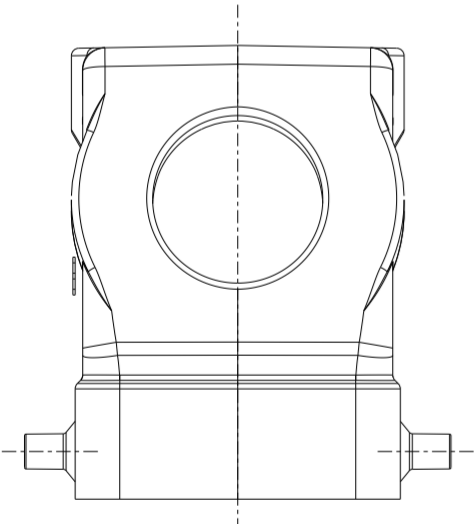
REVISIONS					
P	LTR	DESCRIPTION	DATE	DWN	APVD
A		INITIAL	03JUN2015	DW	CW
AI		ECR-18-019196	11DEC2018	WOR	CW
B		ECR-20-014876	23OCT2020	WOR	CW



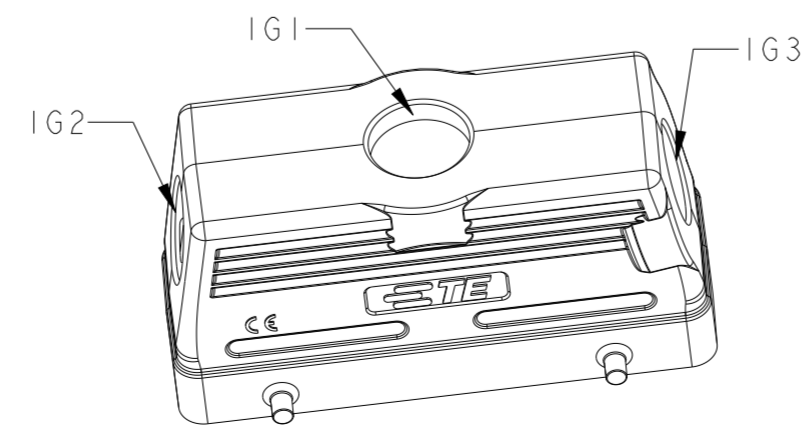
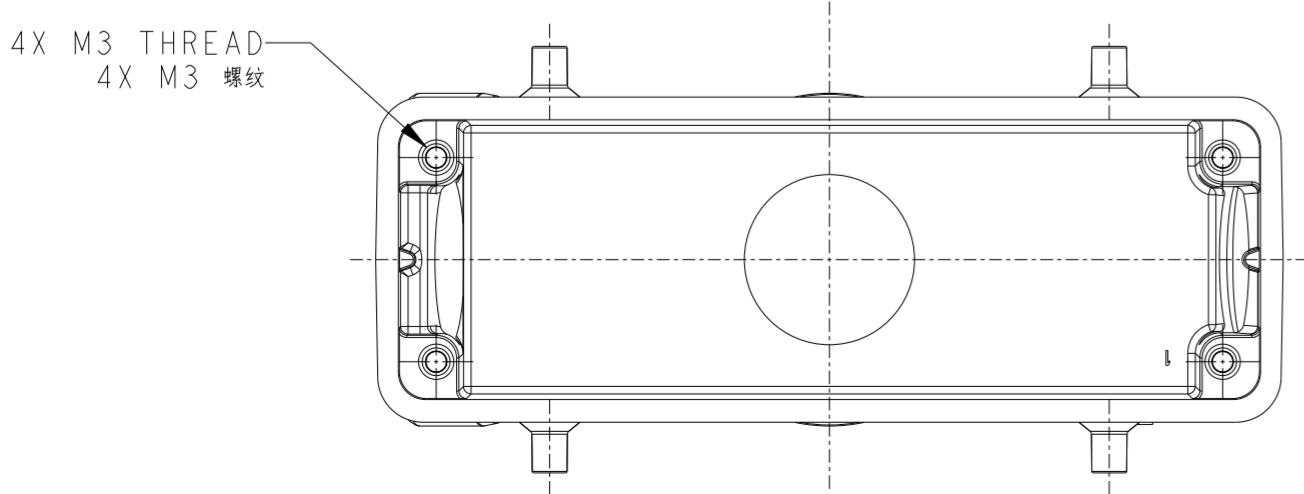
NOTES:
 1. TECHNICAL CHARACTERISTICS:
 HOOD MATERIAL: DIE CAST ALUMINIUM ALLOY
 SURFACE: POWDER COATED, GREY
 DEGREE OF PROTECTION: IP65 (MATED)

注释:
 1. 技术参数:
 上壳材料: 铝合金
 表面处理: 粉末涂层, 灰色
 防护等级: IP65 (配合)

TYPE 1: TOP ENTRY (2 HOLE)
 类型 1: 顶出 (2 孔)



TYPE 2: TOP ENTRY (1 HOLE) + TWO SIDE ENTRY
 OTHER SPEC REFER TO TYPE 1
 类型 2: 顶出 (1 孔) + 双侧出
 其他规格参考类型 1.



PART NUMBER	DESCRIPTION	IG1	IG2	IG3	TYPE
T1200241616-000	H24B-TG/TS-PG16/2PG16 4 EAR, POWDER COATED, GREY H24B上壳, 顶出PG16, 双侧出PG16, 4耳, 灰色粉末喷涂	PG16	PG16	PG16	TYPE 2 类型 2
T1220240216-000	H24B-TG-2PG16 4 EAR, POWDER COATED, GREY H24B上壳, 顶出2PG16, 4耳, 灰色粉末喷涂	PG16	PG16	-	TYPE 1 类型 1
T1220240220-000	H24B-TG-2M20 4 EAR, POWDER COATED, GREY H24B上壳, 顶出2M20, 4耳, 灰色粉末喷涂	M20	M20	-	
T1220240221-000	H24B-TG-2PG21 4 EAR, POWDER COATED, GREY H24B上壳, 顶出2PG21, 4耳, 灰色粉末喷涂	PG21	PG21	-	
T1220240225-000	H24B-TG-2M25 4 EAR, POWDER COATED, GREY H24B上壳, 顶出2M25, 4耳, 灰色粉末喷涂	M25	M25	-	
PART NUMBER	DESCRIPTION	IG1	IG2	IG3	

THIS DRAWING IS A CONTROLLED DOCUMENT.

DWN: David Wang 03JUN2015
 CHK: Chris Wang 03JUN2015
 APVD: Xiang Xu 03JUN2015

STE TE Connectivity

NAME: H24B-TG/TS-PG/M

PRODUCT SPEC: 108-137013
 APPLICATION SPEC: 114-137013

SIZE: A2 CAGE CODE: - DRAWING NO: C-T12202402XX000 RESTRICTED TO: -
 WEIGHT: - SCALE: 1:1 SHEET: 1 OF 1 REV: B

MATERIAL: - FINISH: -

TOLERANCES UNLESS OTHERWISE SPECIFIED:
 0 PLC ±
 1 PLC ±
 2 PLC ±
 3 PLC ±
 4 PLC ±
 ANGLES ±
 FINISH -

CUSTOMER DRAWING

单击下面可查看定价，库存，交付和生命周期等信息

[>>TE Connectivity\(泰科\)](#)