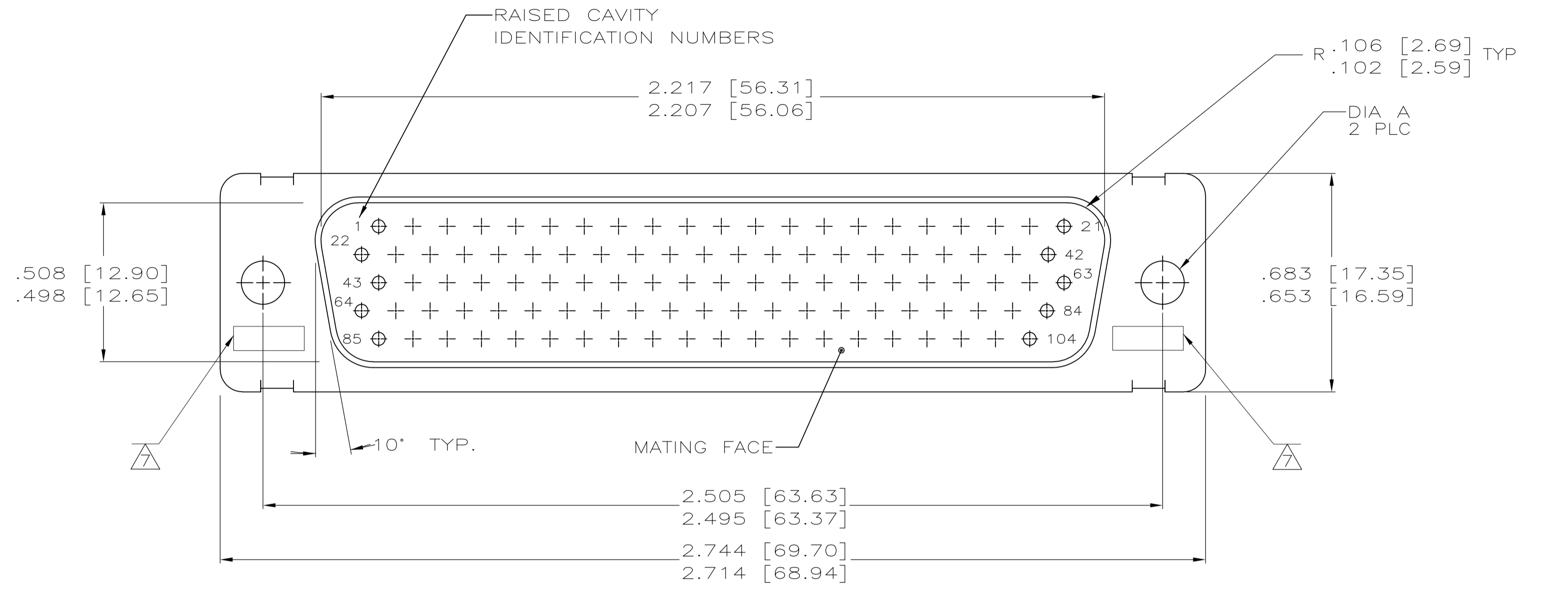
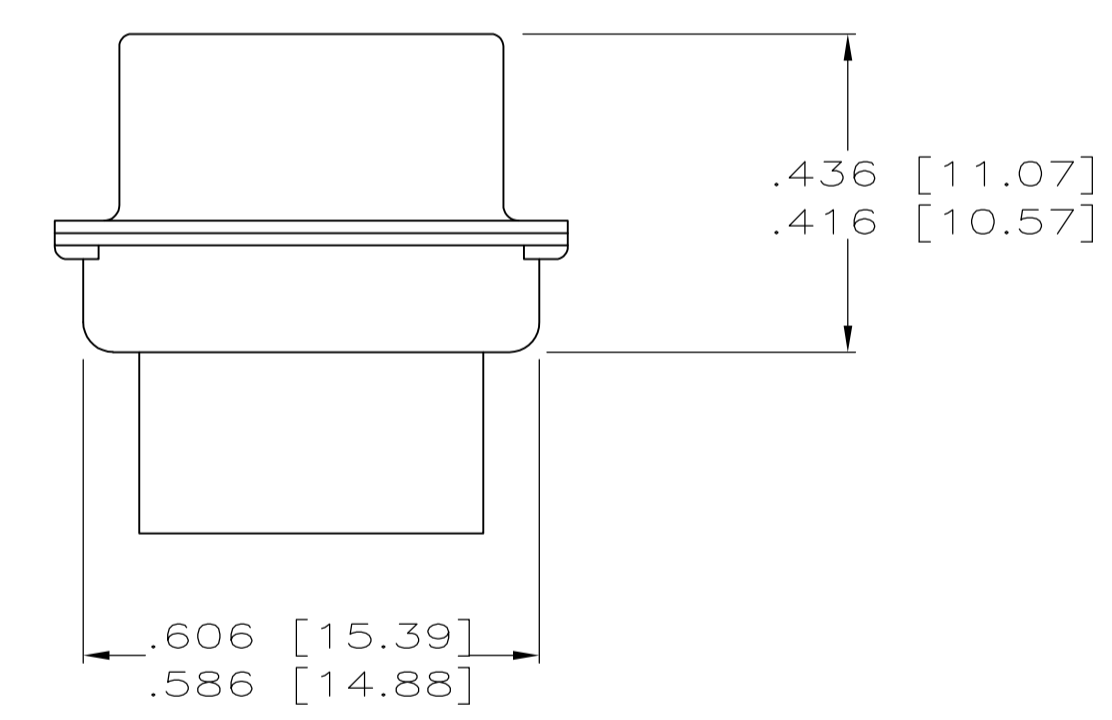
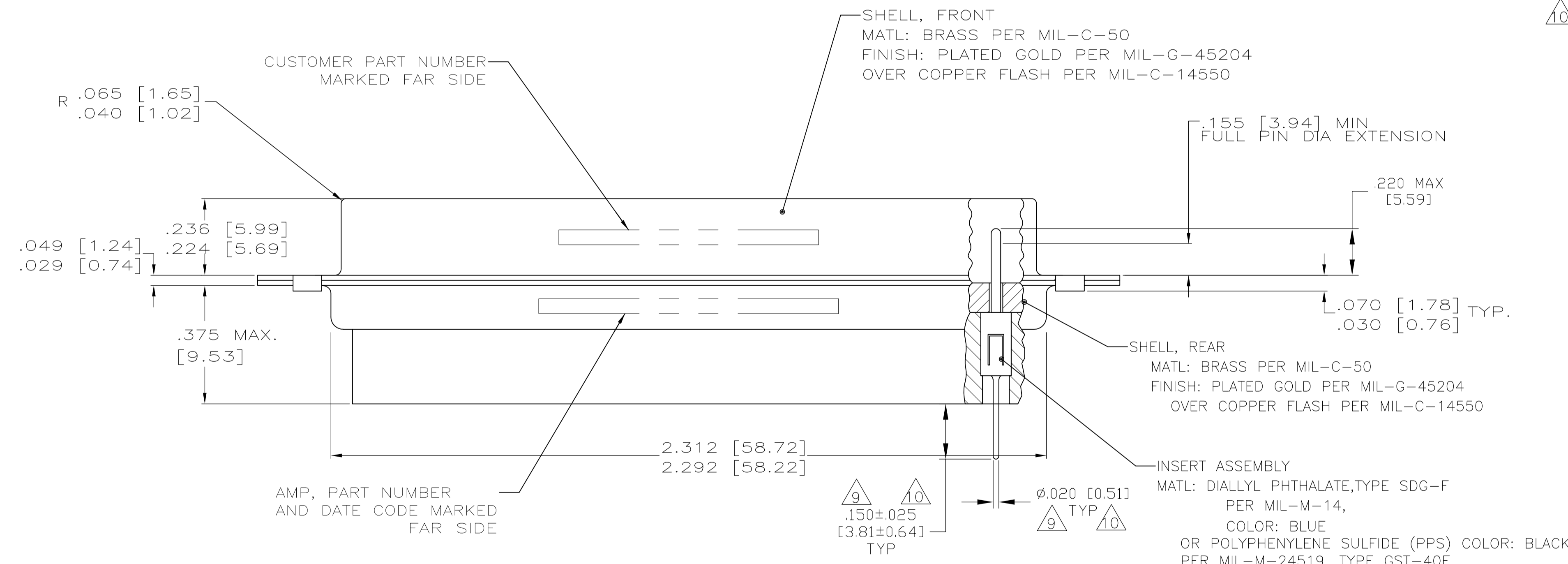


LOC	DIST	REVISIONS				
		REV	DESCRIPTION	DATE	BY	APPV
AA	REV PER ECO	15-016064		11-9-15	CT	CD



- THIS PLUG WILL MATE WITH ANY RECEPTACLE CONNECTOR WITH THE SAME INSERT ARRANGEMENT AS DEFINED BY MS14004-1.
  - MAXIMUM WIRE INSULATION USED WITH THIS PLUG IS .054 DIA.
  - Be-Cu RETENTION CLIPS ARE INCLUDED IN INSERTS.
- ④ THESE CONNECTORS ARE QUALIFIED TO GODDARD SPACE FLIGHT CENTER SPECIFICATION S-311-P-4.
  - ⑤ INSPECTION REQUIREMENTS PER R4383.
  - ⑥ CONNECTOR SUPPLIED WITH 115 CONTACTS, PART NUMBER 204370-8. INSPECTION REQUIREMENTS PER R4383 WITHOUT TESTS FOR HIGH ALTITUDE DIELECTRIC WITHSTANDING VOLTAGE AS CALLED FOR IN TABLE II SCREENING AND TESTING.
  - ⑦ UL/CSA DESIGNATION STAMPED IN THIS AREA, OPTIONAL.
  - ⑧ RESTRICTED TO CAE ELECTRONICS ONLY.
  - ⑨ CONNECTOR LOADED WITH POSTED CONTACTS, INSPECTION REQUIREMENTS PER GENERAL ELECTRIC DOCUMENT 20025720
  - ⑩ CONNECTOR LOADED WITH POSTED CONTACTS, INSPECTION REQUIREMENTS PER LOCKHEED MARTIN DOCUMENT 20131204.



NUMBER 204370-8  
GSFC PART NUMBER G-08-P1  
(SUPPLIED WITH 206066-7  
AND 1-206066-0 ONLY)

REMARKS	DIA A	MARKED CUSTOMER P/N	MARKED P/N	PART NUMBER
⑩	.120 [3.05]	20131204P2104P	1-206066-5	1-206066-5
	.120 [3.05]	570566-12	1-206066-4	1-206066-4
⑨	.120 [3.05]	20025720P2104P	1-206066-0	1-206066-2
④/⑧	.120 [3.05]	311P407-6P-B-12	206066-4	1-206066-1
	.120 [3.05]	20025720P1104P	1-206066-0	1-206066-0
	.120 [3.05]	1622251-001	206066-9	206066-9
	.120 [3.05]	7636-11	206066-8	206066-8
⑥	.120 [3.05]	R4383P104P	206066-7	206066-7
⑤	.120 [3.05]	R4383P104P-2	206066-6	206066-6
	.120 [3.05]	SC81D139-056	206066-5	206066-5
④	.120 [3.05]	311P407-6P-B-12	206066-4	206066-4
	.154 [3.91]		206066-3	206066-3
④	.154 [3.91]	311P407-6P-B-15	206066-2	206066-2
	.120 [3.05]	R9259P104P	206066-1	206066-1

THIS DRAWING IS A CONTROLLED DOCUMENT.

STE Connectivity

DIMENSIONS: INCHES TOLERANCES UNLESS OTHERWISE SPECIFIED: 0 PLC ± - 1 PLC ± - 2 PLC ± - 3 PLC ± .005 4 PLC ± - ANGLES ± 0°30'	DIMENSIONS: INCHES TOLERANCES UNLESS OTHERWISE SPECIFIED: 0 PLC ± - 1 PLC ± - 2 PLC ± - 3 PLC ± .005 4 PLC ± - ANGLES ± 0°30'	DRAWING NO. 1-29-88 S. GLATFELTER 2-1-88 F.C. BALLEW III 2-1-88 NAME: PLUG, PIN CONTACTS HI-DENSITY HDD SERIES HI-DENSITY HDD SERIES APPLICATION SPEC SIZE: A1 CASE CODE: 00779 DRAWING NO. 206066 WEIGHT: - CUSTOMER DRAWING	SCALE: 4:1 SHEET: 1 OF 1 REV: AA
--	--	--	--

单击下面可查看定价，库存，交付和生命周期等信息

[>>TE Connectivity\(泰科\)](#)