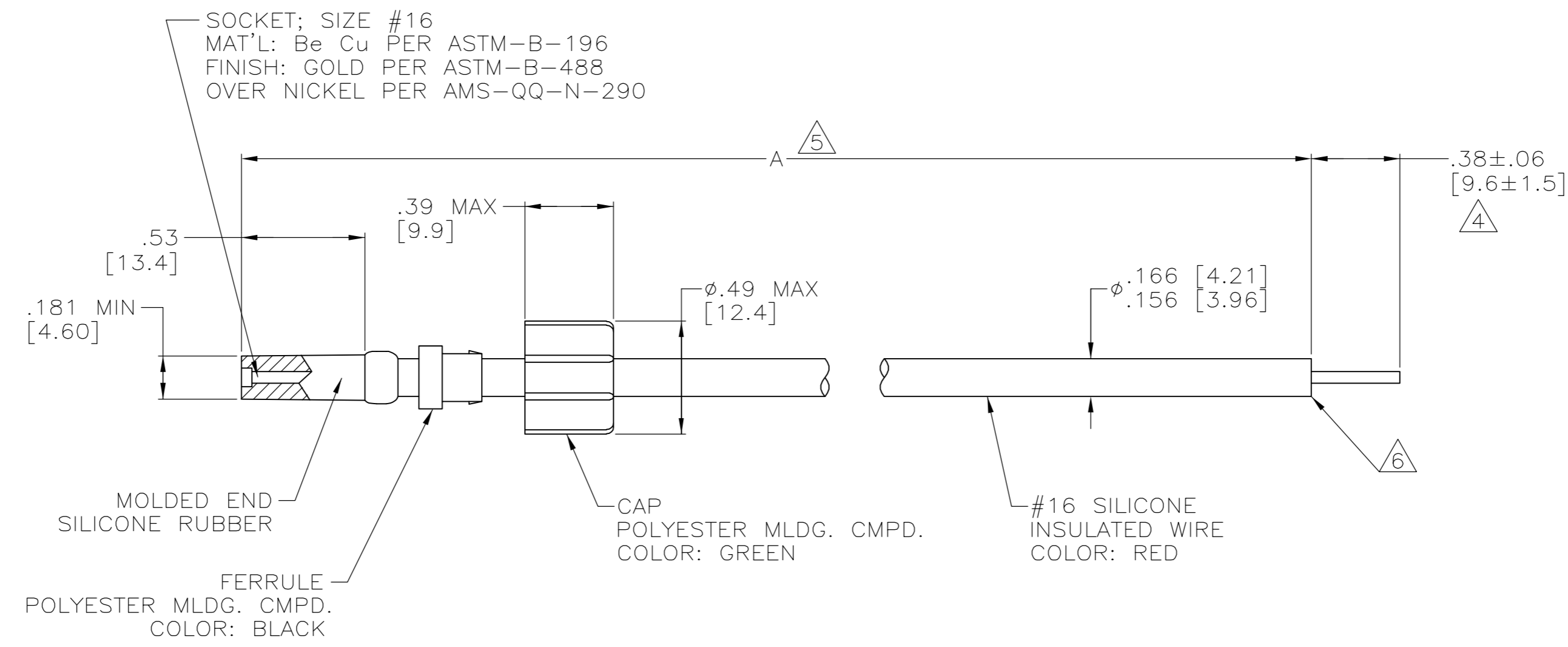


THIS DRAWING IS UNPUBLISHED. RELEASED FOR PUBLICATION - .N/A .
 © COPYRIGHT N/A BY TYCO ELECTRONICS CORPORATION. ALL RIGHTS RESERVED.

LOC	DIST	REVISIONS					
DF	S0	P	LTR	DESCRIPTION	DATE	DWN	APVD
		D		REV PER ECO-05-002584	07-05	AA	DE

1. MARKED PER MIL-STD-130; .09 HIGH CHARS.
 2. TO MATE WITH AMP LGH-1/2 RECEPTACLE WITH .53 [13.4] BARREL DEPTH.
 3. OPERATING VOLTAGE: 10 KVDC AT 0 TO 70,000 FEET, -55°C TO 125°C.
- △4 PIGTAIL IS SOLDER DIPPED. (868399-1,-2, & -3 ONLY)
- △5 TOLERANCE OF LEAD LENGTH:
 UP TO 24 INCHES [609.6] = ±.12 [±3.0]
 24 INCHES [609.6] & UP = ±1%
- △6 INSULATION CUT BUT NOT REMOVED. (5-868399-3 ONLY)



△6	15.00 [381.0]	5-868399-3
△4	15.00 [381.0]	868399-3
△4	36.00 [914.4]	868399-2
△4	24.00 [609.6]	868399-1
REMARKS	A DIM △5	PART NO.

THIS DRAWING IS A CONTROLLED DOCUMENT.		DWN 30-JUL-90 C.C.THOMAS	Tyco Electronics Corporation Harrisburg, Pa 17105-3608
DIMENSIONS: INCHES		CHK 28-AUG-90 D.OPLINGER	
TOLERANCES UNLESS OTHERWISE SPECIFIED:		APVD 28-AUG-90 D.EABY	NAME
0 PLC ± - 1 PLC ± - 2 PLC ± .02 [0.5] 3 PLC ± - 4 PLC ± - ANGLES ± -		PRODUCT SPEC	LEAD ASSY POS STOP, SGL END (RED) LGH-1/2
MATERIAL SEE CALLOUTS		FINISH SEE CALLOUTS	SIZE CAGE CODE DRAWING NO RESTRICTED TO
CUSTOMER DRAWING		WEIGHT -	A2 00779 C=868399 -
		SCALE 2:1	SHEET 1 OF 1 REV D

单击下面可查看定价，库存，交付和生命周期等信息

[>>TE Connectivity\(泰科\)](#)