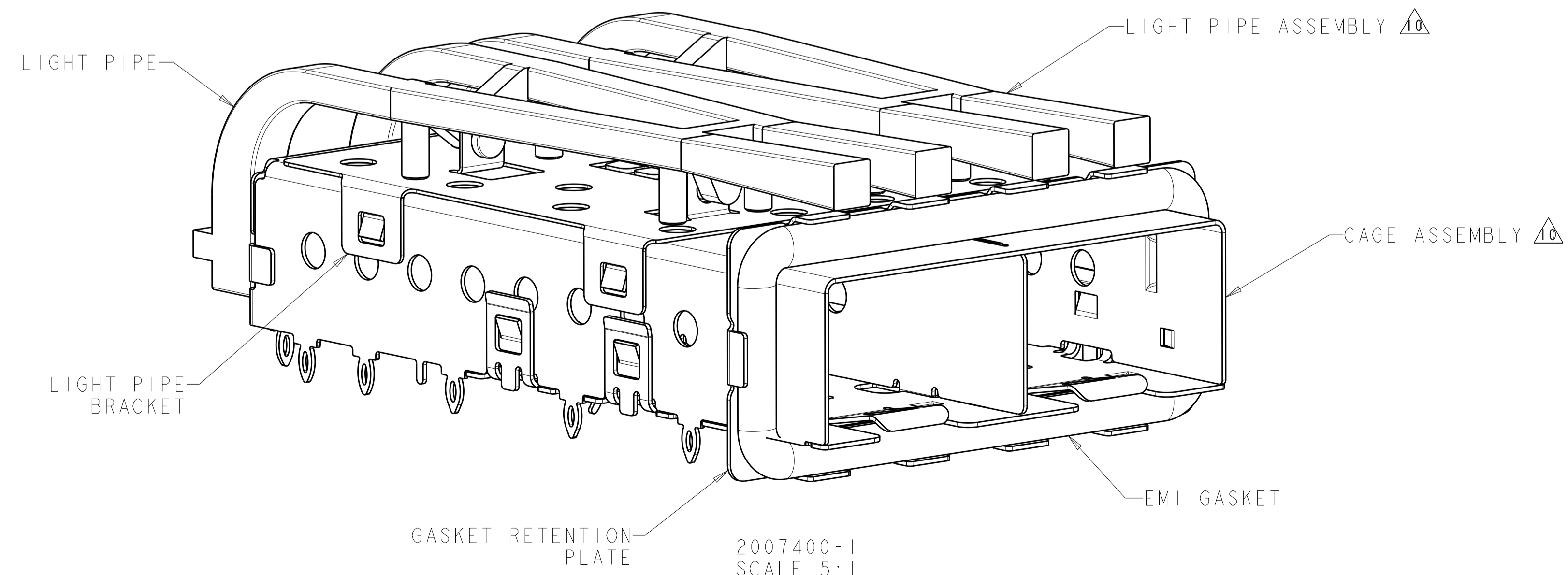
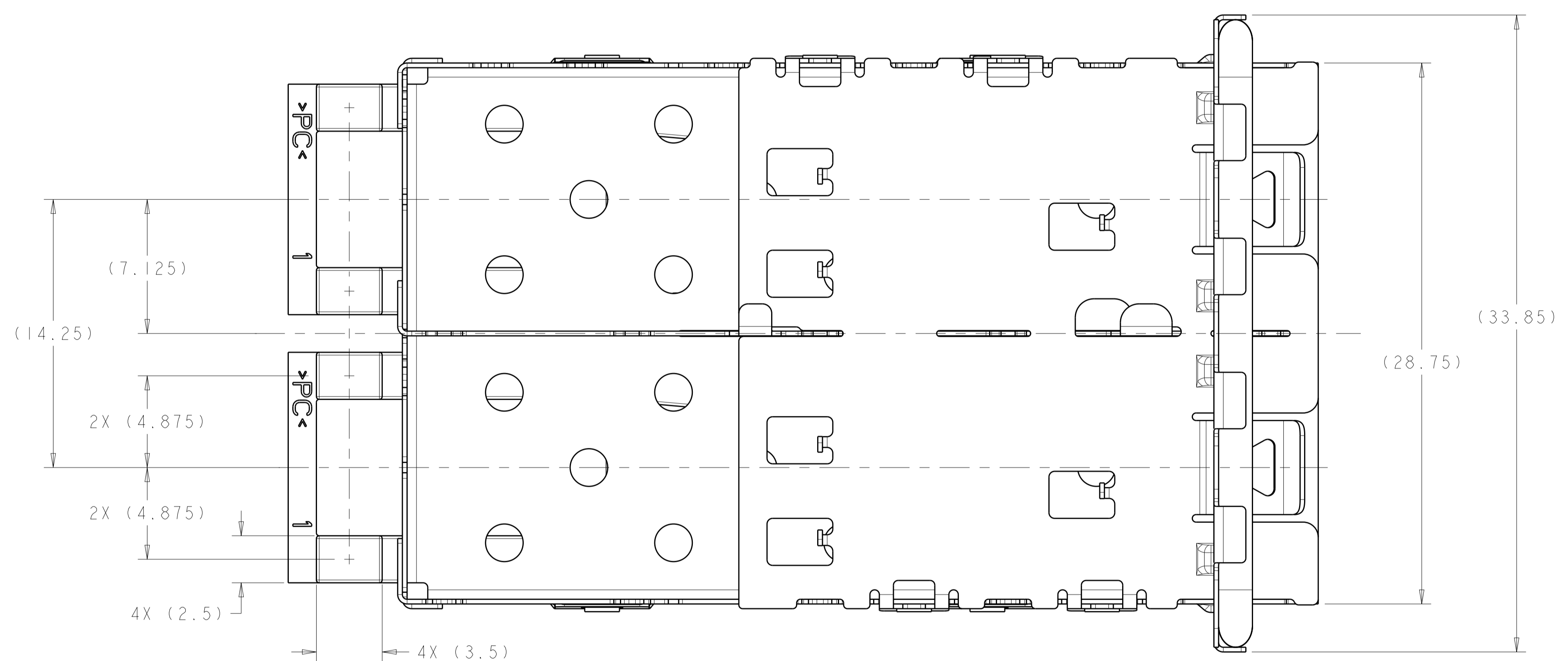
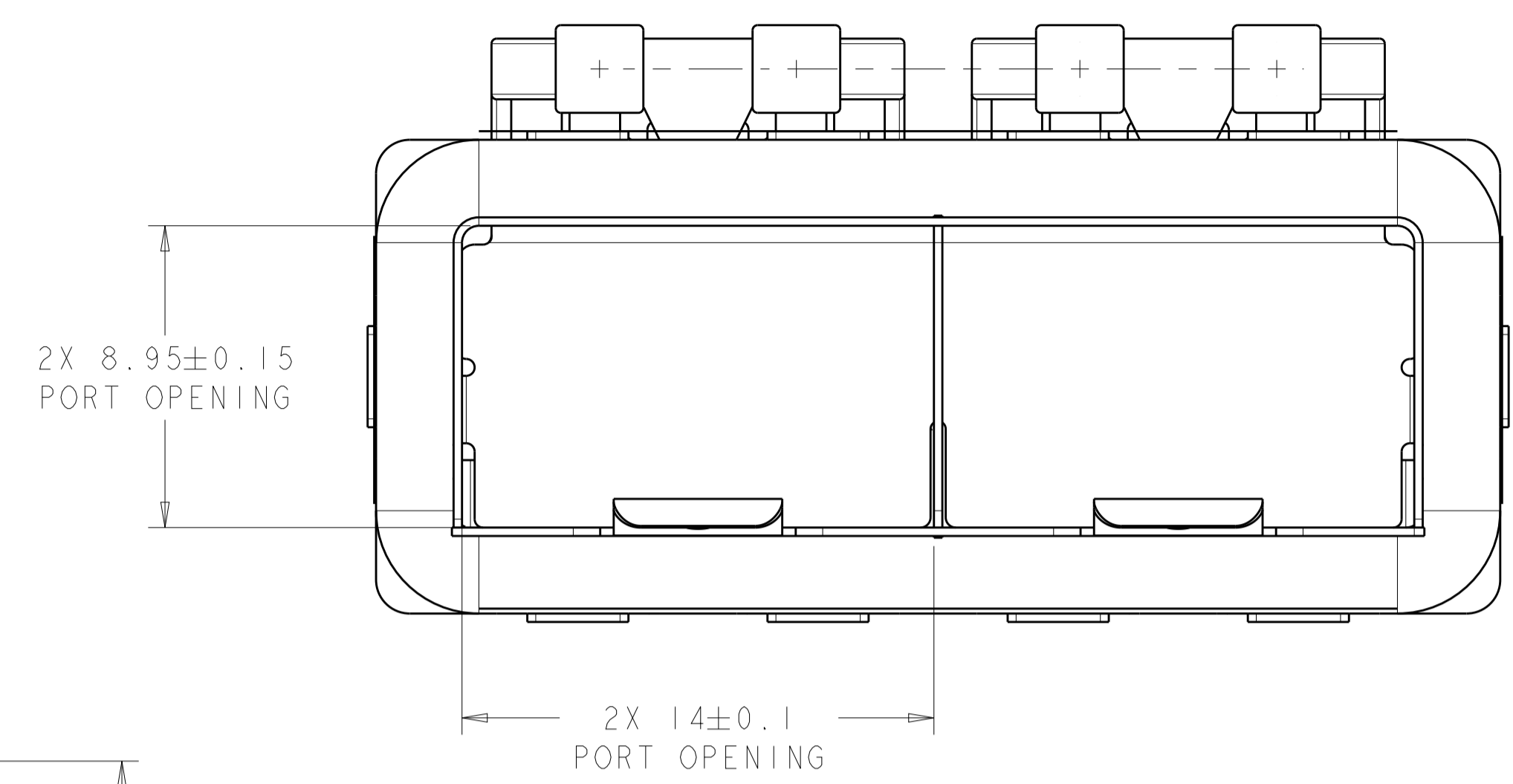
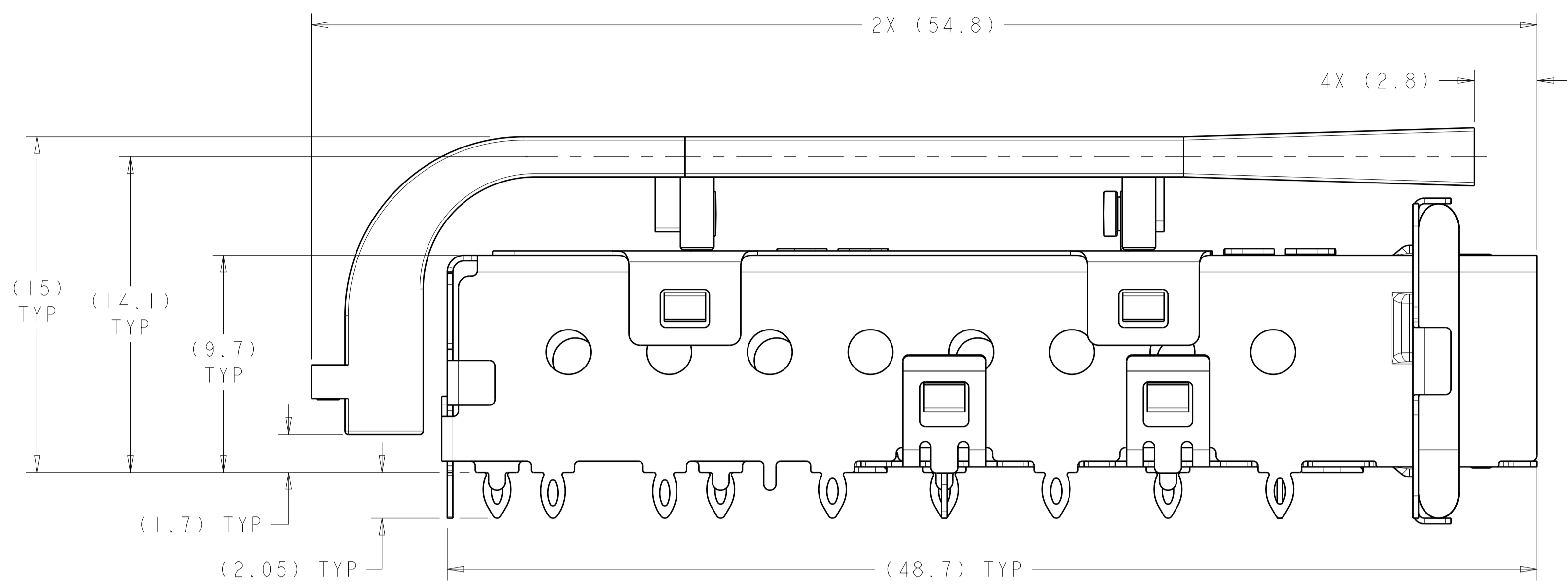


LOC	DIST	REVISIONS					
GP	00	P	LTN	DESCRIPTION	DATE	DMN	APVD
		B		REVISED PER ECO-09-022874	9OCT2009	ZMR	MRS
		C		REVISED PER ECO-10-004036	01MAR2010	CJV	MRS
		D		REVISED PER ECO-12-014021	10DEC2012	TD	AC



- 1. MATERIAL:  
 CAGE ASSEMBLY: 0.25mm THICK NICKEL SILVER ALLOY  
 GASKET RETENTION PLATE: STAINLESS STEEL  
 EMI GASKET: PLATED FILLED SILICONE  
 LIGHT PIPE BRACKET: STAINLESS STEEL  
 LIGHT PIPE: POLYCARBONATE, CLEAR
- 2. DATUM AND BASIC DIMENSION ESTABLISHED BY CUSTOMER.
- 3. MATES WITH SFP MSA COMPLIANT TRANSCEIVERS.
- 4. PADS AND VIAS CHASSIS GROUND.
- 5. INTERPRETATION OF DATUM REFERENCE FRAME IN ACCORDANCE WITH SECT 4.4.1.1 OF ASME Y14.5M-1994.
- 6. MINIMUM PC BOARD THICKNESS: = 1.50mm.
- 7. HOLE PATTERN REPEATS FOR EACH PORT. SPACING BETWEEN PORTS IS 14.25mm.
- 8. REFERENCE APPLICATION SPEC. 114-13120, HOLE A, FOR RECOMMENDED DRILL HOLE DIAMETER AND PLATING THICKNESS.
- 9. REFERENCE APPLICATION SPEC. 114-13120, HOLE B, FOR RECOMMENDED DRILL HOLE DIAMETER AND PLATING THICKNESS.
- 10. LIGHT PIPE ASSEMBLY SHIPPED UNASSEMBLED TO CAGE ASSEMBLY. CAGE ASSEMBLY TO BE PRESSED INTO THE PCB PRIOR TO ATTACHING THE LIGHT PIPE ASSEMBLY TO THE CAGE.
- 11. PRODUCT COMPLIES WITH SPECIFICATION SFF-8433 IMPROVED PLUGGABLE FORM FACTOR FOR SFP+ GANGED CAGES.

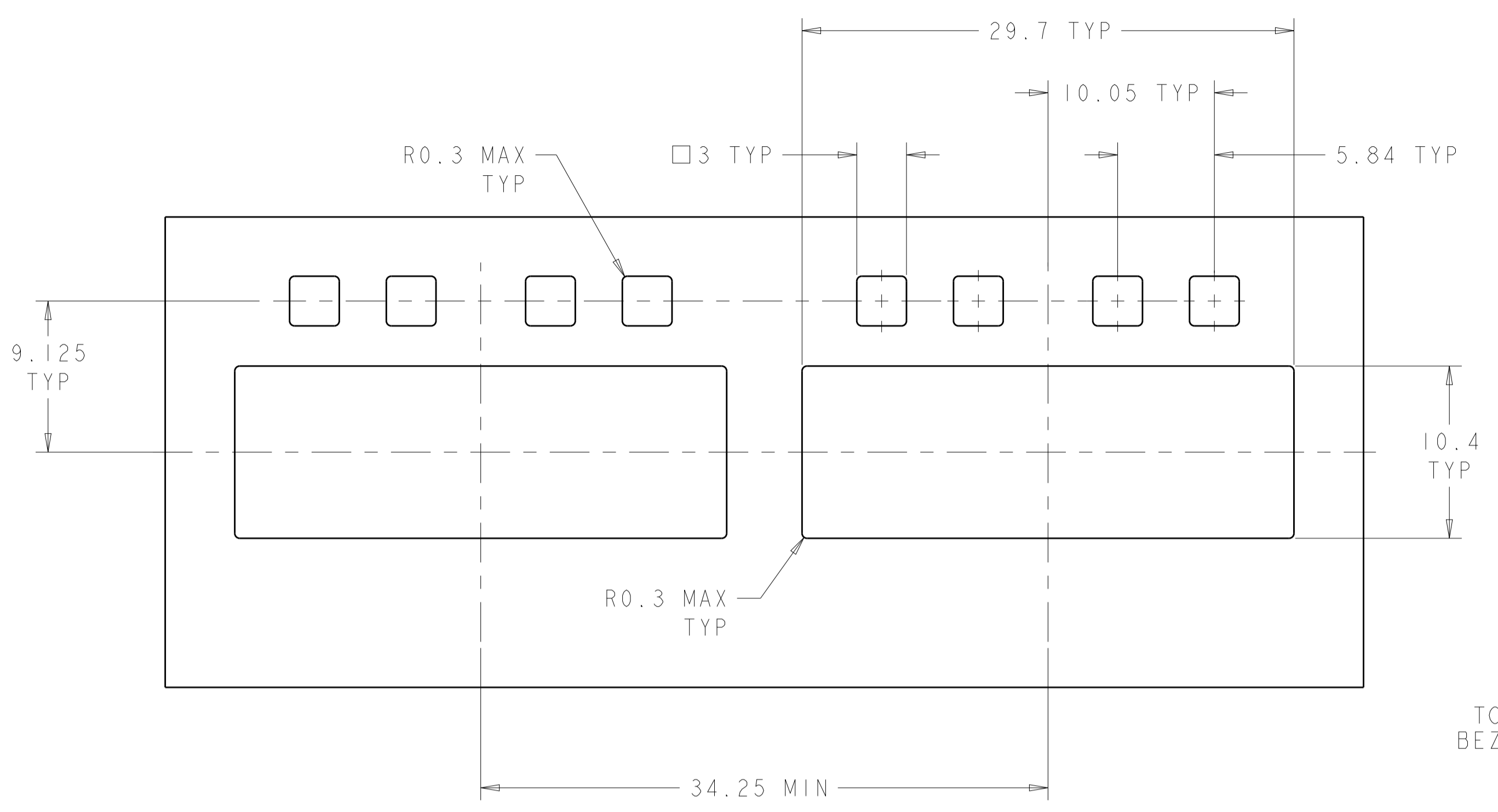
2007400-1  
 PART NUMBER

DIMENSIONS: mm		TOLERANCES UNLESS OTHERWISE SPECIFIED: 0 PLC ±0.1 1 PLC ±0.1 2 PLC ±0.1 3 PLC ±0.1 4 PLC ±0.1 ANGLES ±1°		FINISH: -		DWG: Z.M.REAM 26OCT2007 CHK: M.R.SCHMITT 26OCT2007 APVD: B.H.WERTZ 26OCT2007		Tyco Electronics Harrisburg, PA 17105-3608	
PRODUCT SPEC: 108-2364 APPLICATION SPEC: 114-13120		NAME: SFP+ 1X2 CAGE ASSEMBLY PRESS FIT, EMI GASKET, W/ REDUCED LENGTH SQUARE LIGHT PIPES		SIZE: 00779 CAGE CODE: 2007400		RESTRICTED TO: -		SCALE: 6:1 SHEET 1 OF 3 REV D	
MATERIAL: -		WEIGHT: -		CUSTOMER DRAWING		DATE: 2007400-1		DRAWN: TD	

LOC	DIST	REV	DATE	BY	APPV
GP	00				

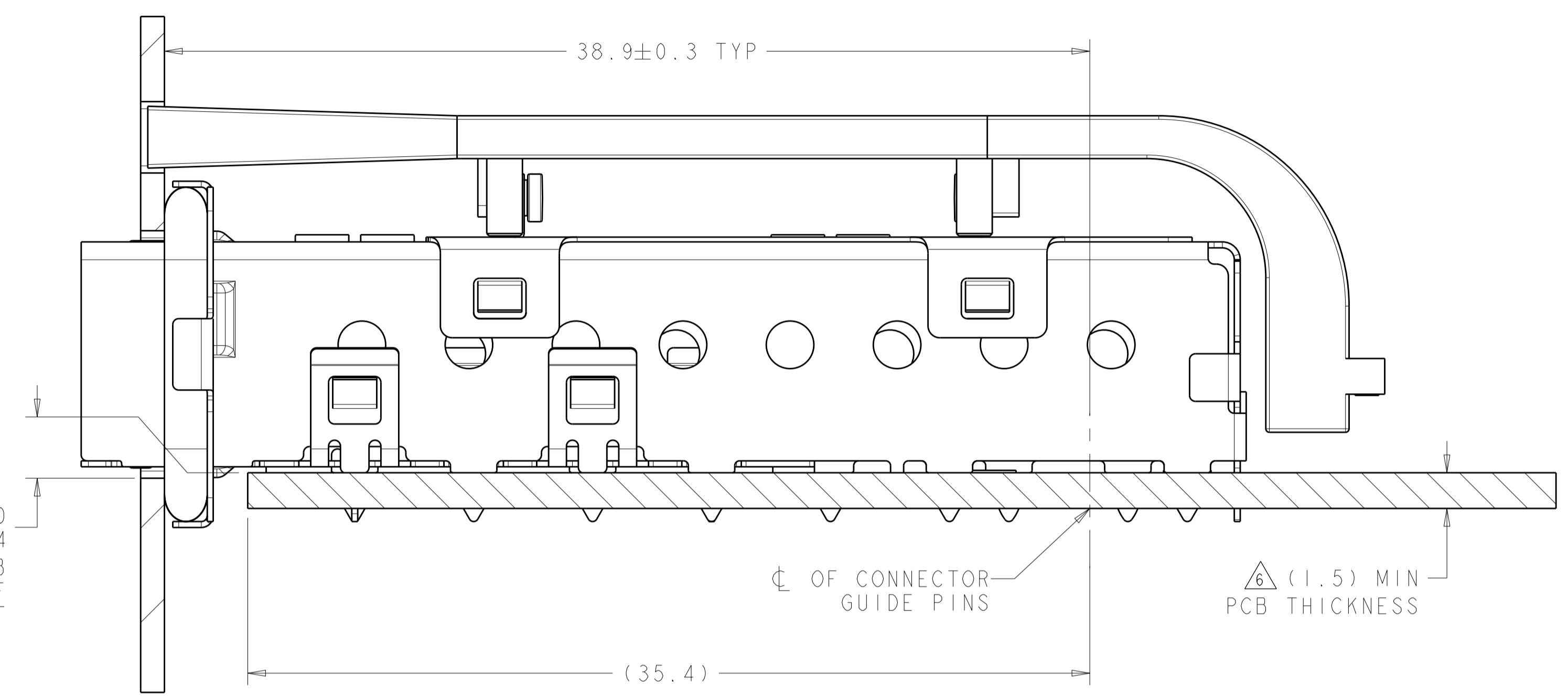
  

REVISIONS			
NO.	DESCRIPTION	DATE	BY
-	SEE SHEET 1	-	-

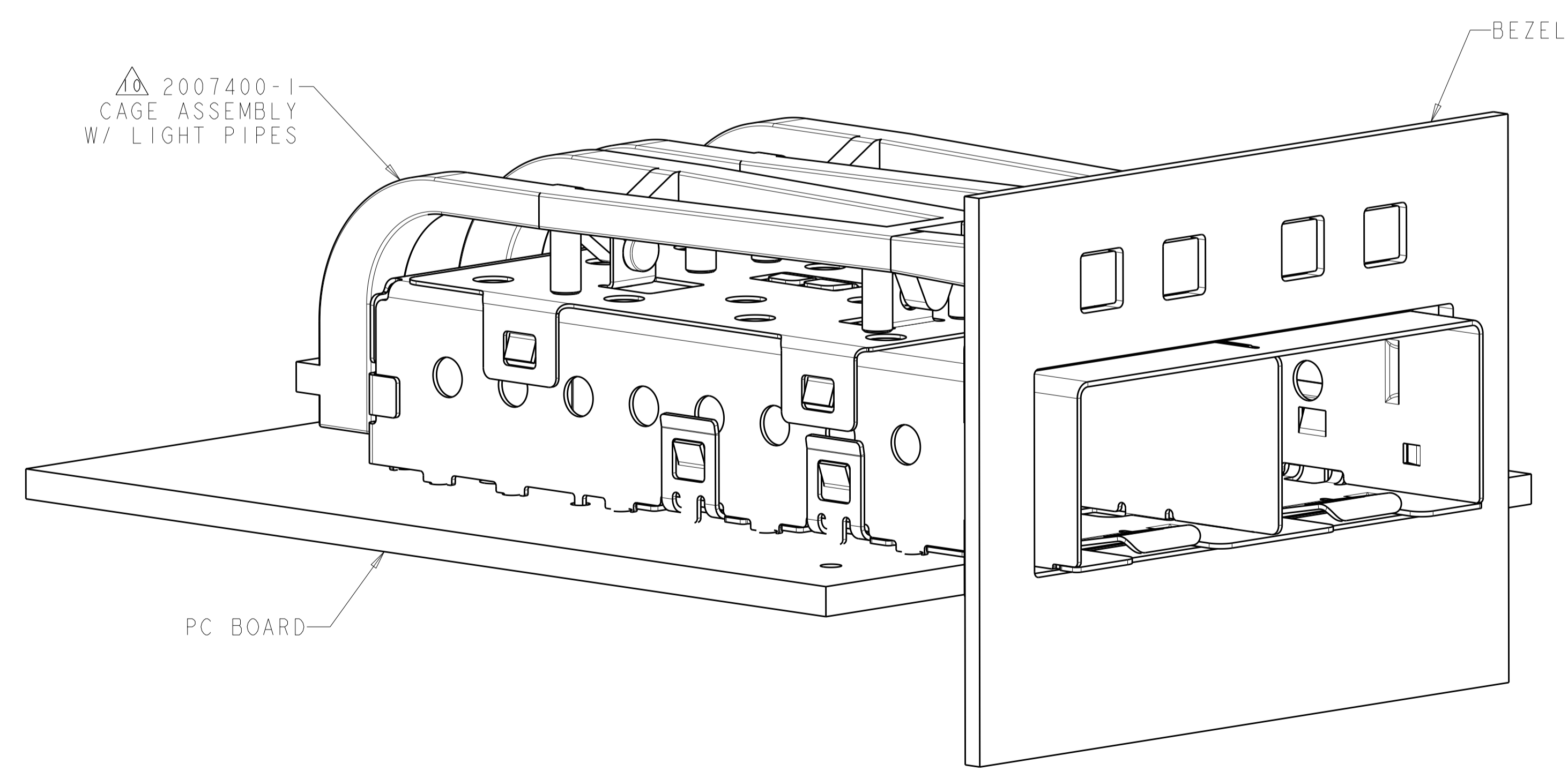


RECOMMENDED BEZEL CUTOUT  
 SCALE 4:1

$0.23^{+0.10}_{-0.14}$   
 TOP OF PCB  
 TO INSIDE OF  
 BEZEL CUT-OUT



2007400-1  
 MOUNTED ON PCB SHOWN  
 THRU RECOMMENDED BEZEL



2007400-1  
 MOUNTED ON PCB SHOWN  
 THRU RECOMMENDED BEZEL  
 SCALE 5:1

<small>THIS DRAWING IS UNPUBLISHED. RELEASED FOR PUBLICATION BY TYCO ELECTRONICS CORPORATION. ALL RIGHTS RESERVED.</small>		DWN: Z.M. REAM 26OCT2007 CHK: M.R. SCHMITZ 26OCT2007 APPV: R.H. WERTZ 26OCT2007	Tyco Electronics Harrisburg, PA 17105-3608
DIMENSIONS: mm 	TOLERANCES UNLESS OTHERWISE SPECIFIED: 0 PLC ±0.1 1 PLC ±0.1 2 PLC ±0.1 3 PLC ±0.1 4 PLC ±0.1 ANGLES ±1°	PRODUCT SPEC: 108-2364 APPLICATION SPEC: 114-13120	NAME: SFP+ 1X2 CAGE ASSEMBLY PRESS FIT, EMI GASKET, W/ REDUCED LENGTH SQUARE LIGHT PIPES SIZE: A1 CAGE CODE: 00779 DRAWING NO: 2007400
MATERIAL:	FINISH:	WEIGHT:	SCALE: 6:1 SHEET 2 OF 3 REV D
Customer Drawing			



单击下面可查看定价，库存，交付和生命周期等信息

[>>TE Connectivity\(泰科\)](#)