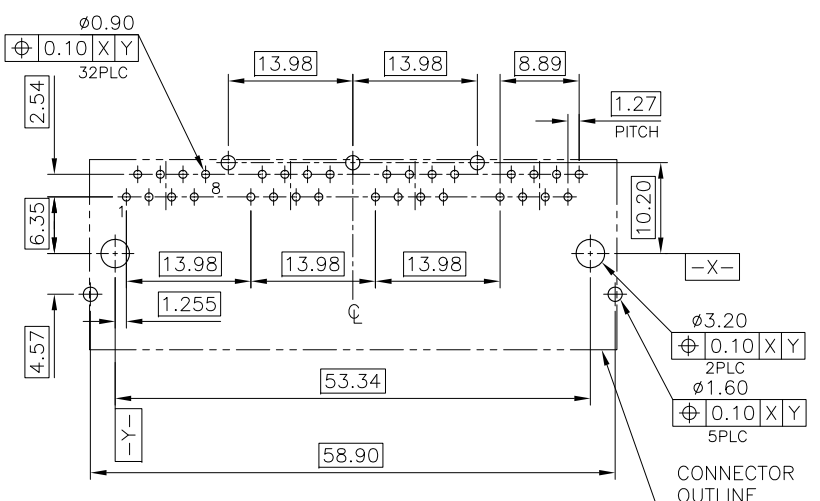
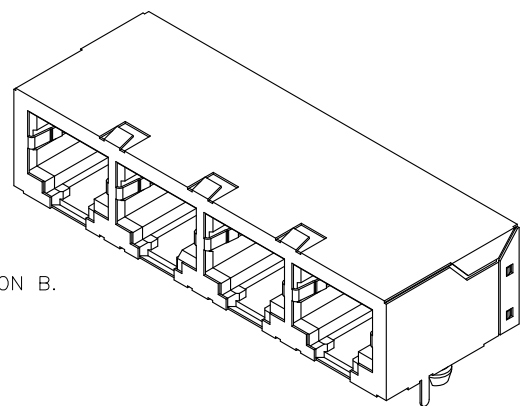


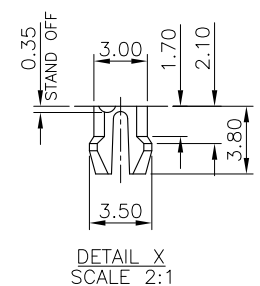
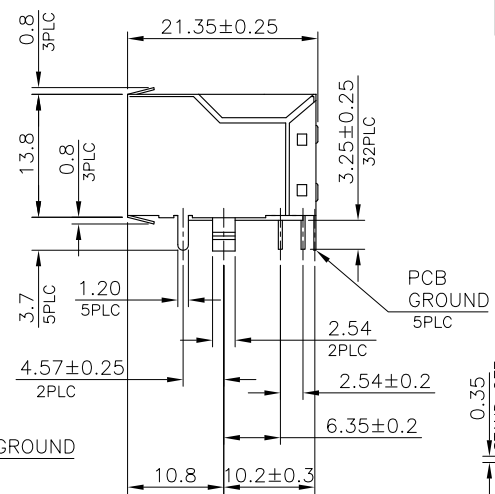
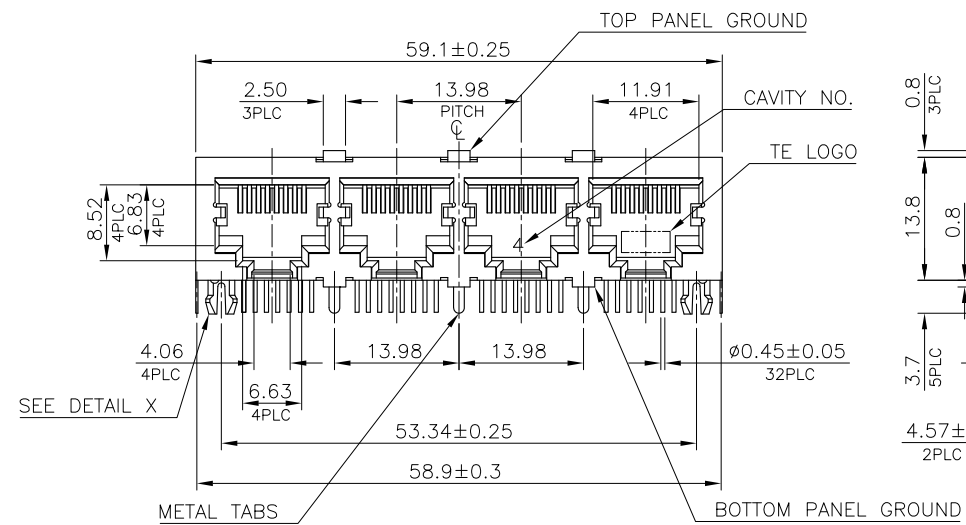
THIS DRAWING IS UNPUBLISHED.
 RELEASED FOR PUBLICATION
 © COPYRIGHT 2011 BY TYCO ELECTRONICS CORPORATION. ALL RIGHTS RESERVED.

LOC DW	DIST	REVISIONS			DATE	DWN	APVD
		P	LTR	DESCRIPTION			
		A2		ECR-12-012115	26OCT'12	EL	WK

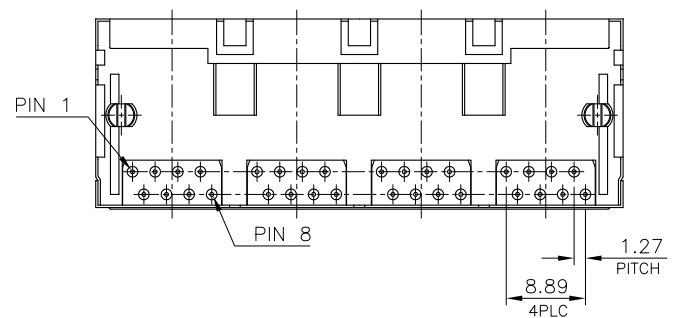
- NOTE:
- MATERIAL:
 - HOUSING: PA46, WITH 30% GF, UL94 V-0, BLACK COLOR.
 - CONTACTS: PHOSPHOR BRONZE.
 - SHELL: BRASS.
 - FINISH:
 - CONTACTS: (SEE TABLE) GOLD PLATED ON CONTACT AREA, 1.27um [50u"] MIN. NICKEL UNDERPLATED OVERALL.
 - SHELL: 0.508um [20u"] MIN. NICKEL PLATED.
PCB GROUND: TIN PLATED.
 - REFLOW SOLDER CAPABLE TO 260°C PER TEC-109-201, CONDITION B.



RECOMMENDED PCB LAYOUT
 RECOMMENDED PCB THICKNESS: 1.6mm.
 TOLERANCE: ±0.05 (TOP VIEW)



OBSOLETE	TRAY	1.27um[50u"]	1-1734714-4
OBSOLETE		0.76um[30u"]	1-1734714-3
OBSOLETE		0.38um[15u"]	1-1734714-2
OBSOLETE	TUBE	0.15um[6u"]	1-1734714-1
OBSOLETE		1.27um[50u"]	1734714-4
OBSOLETE		0.76um[30u"]	1734714-3
OBSOLETE		0.38um[15u"]	1734714-2
OBSOLETE		0.15um[6u"]	1734714-1
	PACKAGE	MIN. GOLD THICKNESS	PART NUMBER



THIS DRAWING IS A CONTROLLED DOCUMENT.		DWN S. CHIEN 20FEB2008	TE Connectivity	
DIMENSIONS: mm		CHK S. HOU 20FEB2008		
TOLERANCES UNLESS OTHERWISE SPECIFIED:		APVD W. KODAMA 20FEB2008	NAME	
0 PLC ± - 1 PLC ± 0.3 2 PLC ± 0.2 3 PLC ± 0.15 4 PLC ± - ANGLES ± - ± 3°		PRODUCT SPEC 108-57136	MODULAR JACK, RJ45, MULTI-PORT, SHIELDED, THRU-HOLE, PANEL GROUND	
MATERIAL SEE NOTE		APPLICATION SPEC	SIZE	CAGE CODE
FINISH SEE NOTE		WEIGHT 22.41 GRAMS	A3	00779
		CUSTOMER DRAWING	DRAWING NO C=1734714	
		SCALE	RESTRICTED TO	
		SHEET	1 OF 2	
		REV	A2	

THIS DRAWING IS UNPUBLISHED. RELEASED FOR PUBLICATION
 © COPYRIGHT 2011 BY TYCO ELECTRONICS CORPORATION. ALL RIGHTS RESERVED.

LOC	DIST	REVISIONS					
DW		P	LTR	DESCRIPTION	DATE	DWN	APVD
				SEE SHEET 1.			

D

D

C

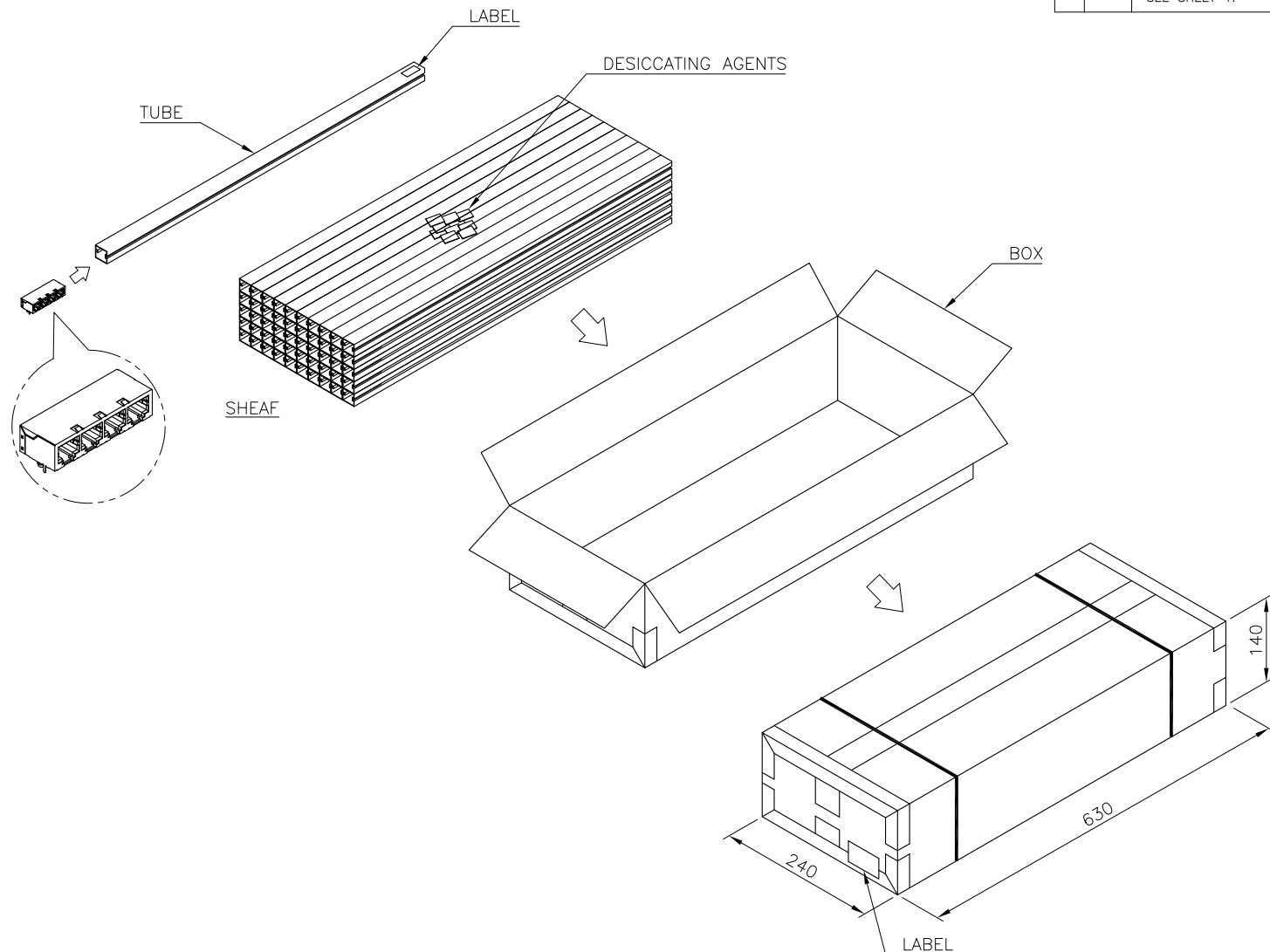
C

B

B

A

A



- NOTES:
- MATERIAL:
TUBE: PVC.
BOX: CORRUGATED FIBER.
 - DIMENSION: SEE DRAWING
 - QUANTITY: SEE TABLE
 - WEIGHT: SEE TABLE

13.40KG	10.08G	9	50	450
GROSS WEIGHT	NET WEIGHT	PCS/TUBE	TUBES/BOX	PCS/BOX

THIS DRAWING IS A CONTROLLED DOCUMENT.		DWN	-		
DIMENSIONS: mm		CHK	-		
TOLERANCES UNLESS OTHERWISE SPECIFIED:		APVD	-		
0 PLC ± .		PRODUCT SPEC	NAME		
1 PLC ± 0.3		APPLICATION SPEC	MODULAR JACK, RJ45, MULTI-PORT, SHIELDED, THRU-HOLE, PANEL GROUND		
2 PLC ± 0.2		WEIGHT	SIZE	CAGE CODE	DRAWING NO
3 PLC ± 0.15			A3	00779	©=1734714
4 PLC ± .		CUSTOMER DRAWING	RESTRICTED TO	-	
FINISH		SCALE	SHEET	2 of 2	REV A2

单击下面可查看定价，库存，交付和生命周期等信息

[>>TE Connectivity\(泰科\)](#)