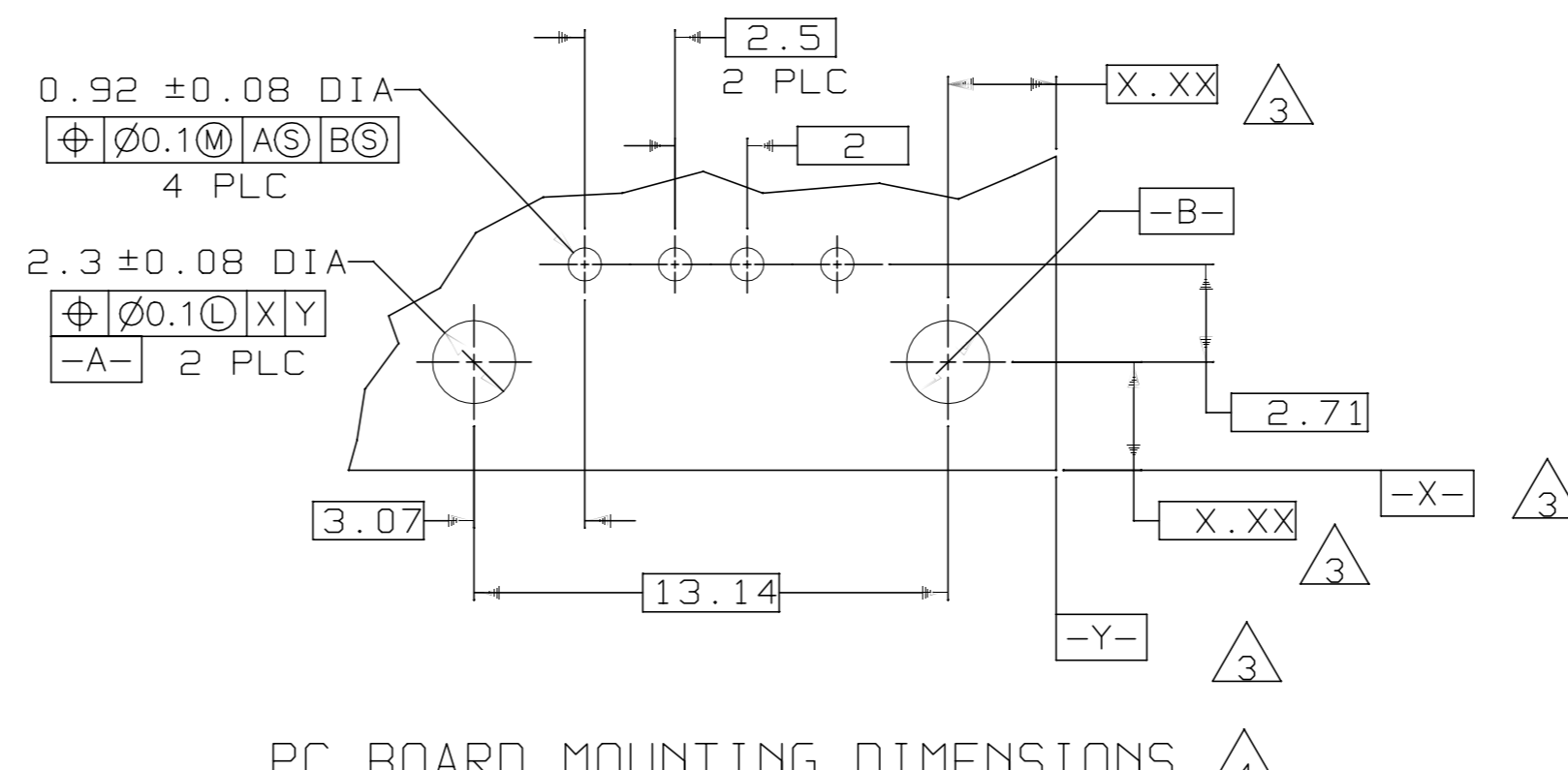
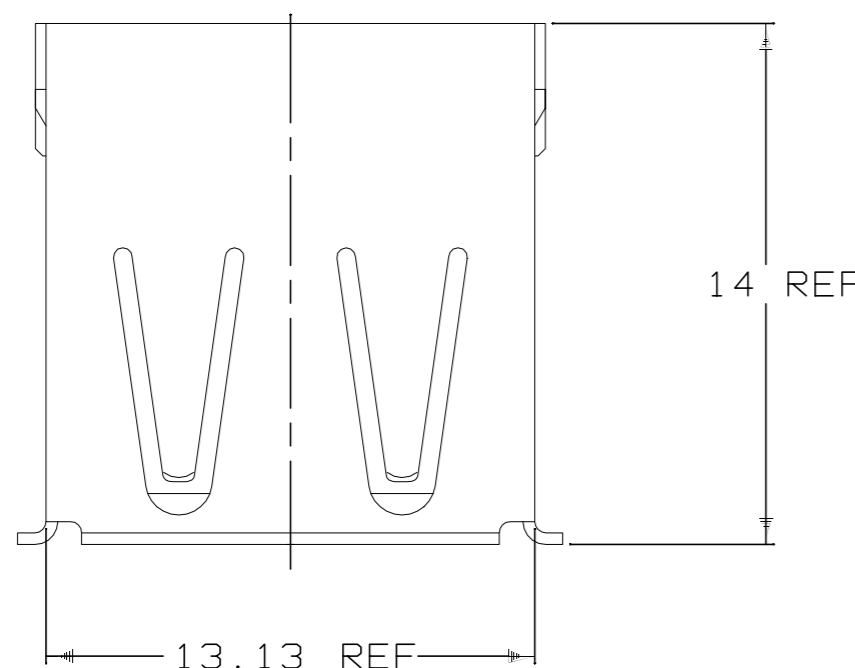
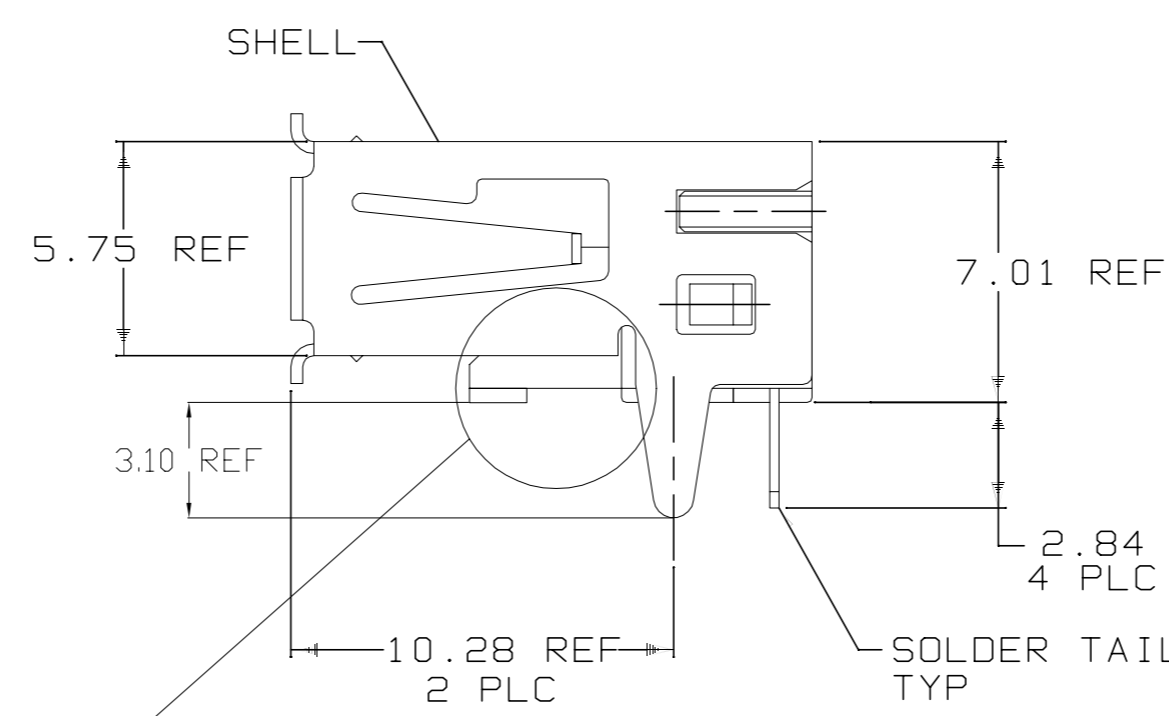
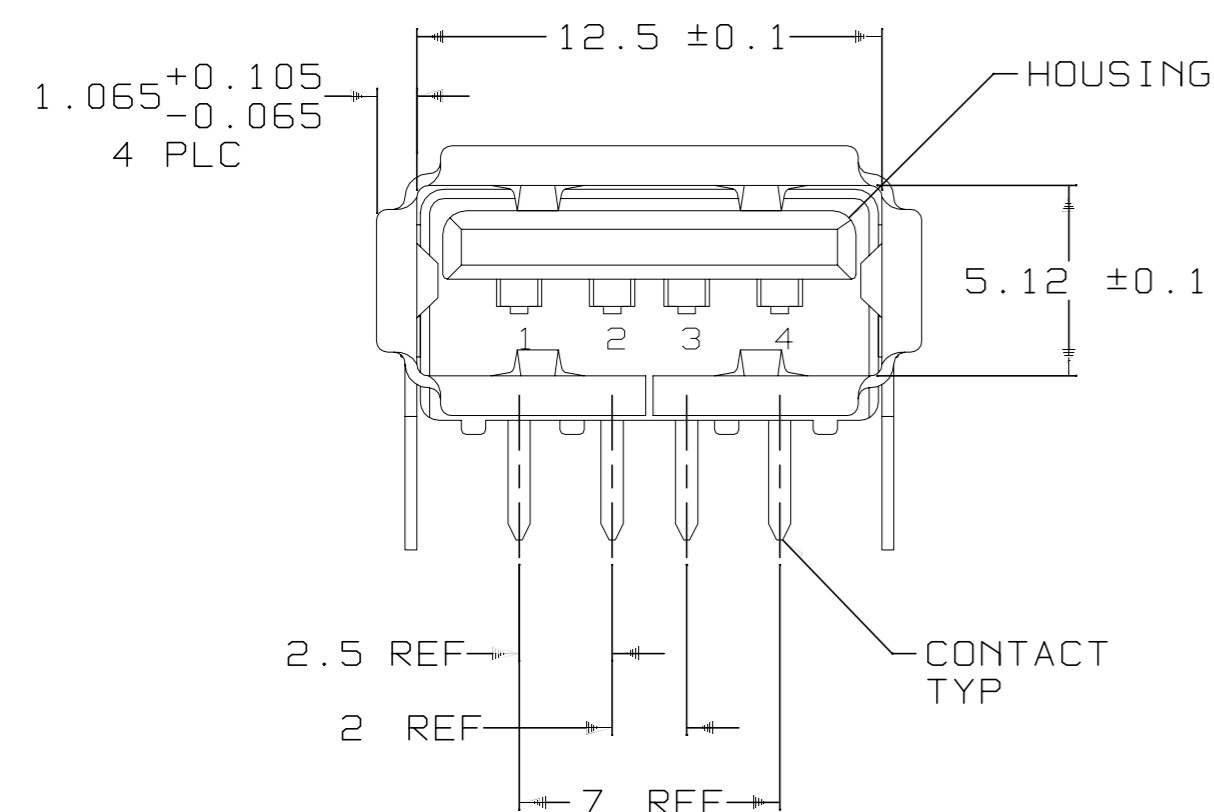


REVISIONS					
P	LTR	DESCRIPTION	DATE	DWN	APVD
B		REVISED PER ECN-21-127628	28OCT2021	AK	SZ

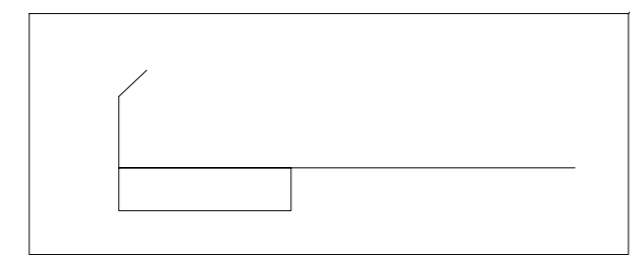


PC BOARD MOUNTING DIMENSIONS



OBSOLETE

- 1 MATERIAL:
SHELL & CONTACTS- COPPER ALLOY.
HOUSING- UL 94V-0 RATED, THERMOPLASTIC, COLOR SEE TABLE.
- 2 PLATING:
CONTACTS- 0.076um MINIMUM GOLD OVER 0.76um MINIMUM PALLADIUM-NICKEL ON MATING AREA.
3.8um MINIMUM MATTE TIN ON SOLDER TAILS.
BOTH OVER 1.27um MINIMUM NICKEL.
CONTACT ALTERNATE PLATING: 0.76um MIN GOLD ON MATING AREA, 3.80um MIN MATTE TIN ON SOLDER TAILS, BOTH OVER 1.27um MIN NICKEL.
SHELL: MINIMUM BRIGHT TIN OVER MIN NICKEL.
- 3 DATUM AND BASIC DIMENSIONS ESTABLISHED BY CUSTOMER.
- 4 RECOMMENDED PC BOARD THICKNESS OF 1.57.



EXTENDED BLOCK FEATURE IN HOUSING APPLICABLE TO 6364372-4 ONLY.

TAPE&REEL	YES	BLACK	6364372-5
TAPE&REEL	YES	BLACK	6364372-4
TAPE&REEL	YES	NATURAL	6364372-3
TUBE	YES	NATURAL	6364372-2
TUBE	NO	BLACK	6364372-1
PACKAGING	HIGH TEMPERATURE COMPATIBLE	HOUSING COLOR	PART NUMBER

THIS DRAWING IS A CONTROLLED DOCUMENT.		DWN J.JIANG 12APR2004	TE Connectivity	
DIMENSIONS: mm		CHK S.YAO 12APR04		
TOLERANCES UNLESS OTHERWISE SPECIFIED:		APVD J.QU 12APR04	NAME	
0 PLC ± -		PRODUCT SPEC	108-60034	
1 PLC ± -		APPLICATION SPEC	-	
2 PLC ± 0.25		WEIGHT	-	
3 PLC ± -		SCALE	A2 00779 C=6364372	
4 PLC ± -		RESTRICTED TO	-	
ANGLES ± -		CUSTOMER DRAWING	SCALE 5:1 SHEET 1 of 1 REV B	

单击下面可查看定价，库存，交付和生命周期等信息

[>>TE Connectivity\(泰科\)](#)