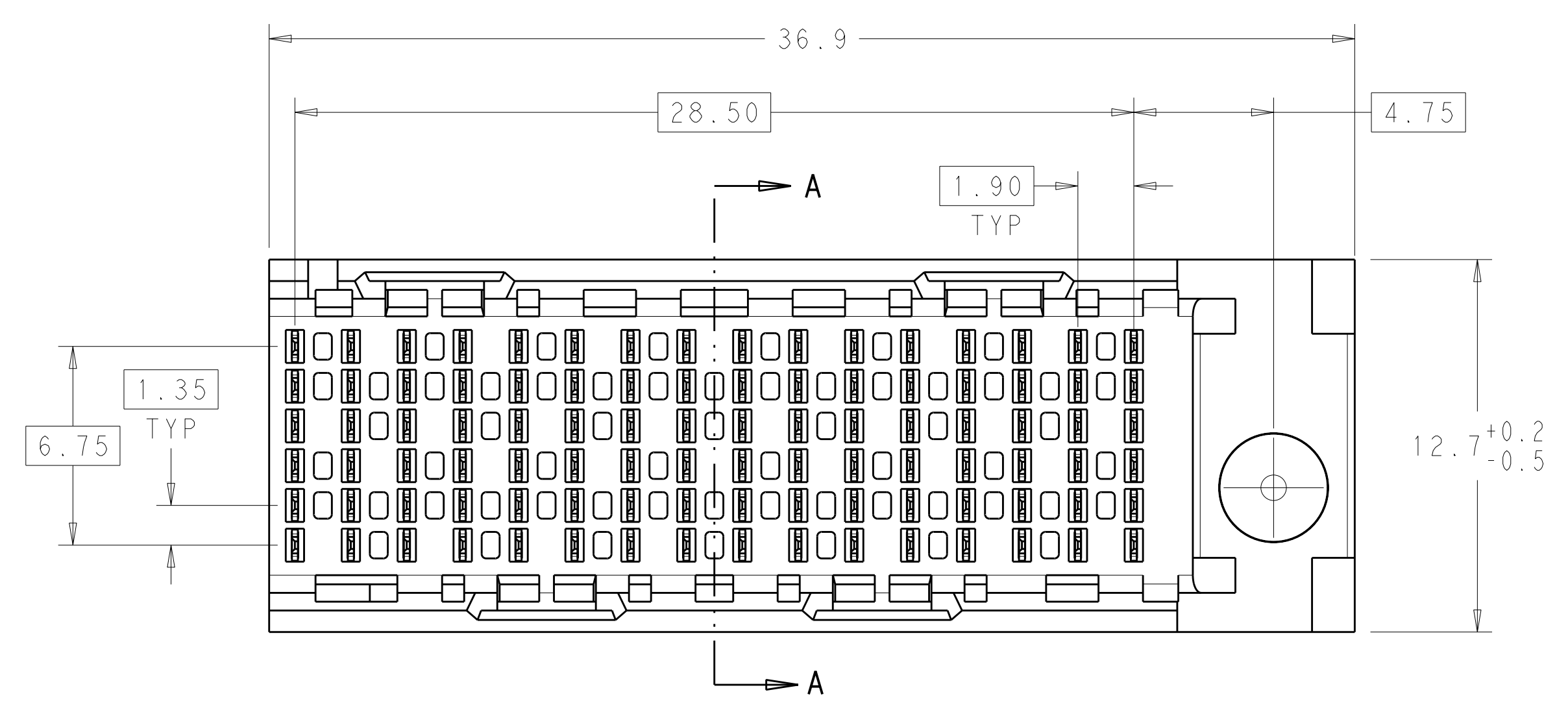
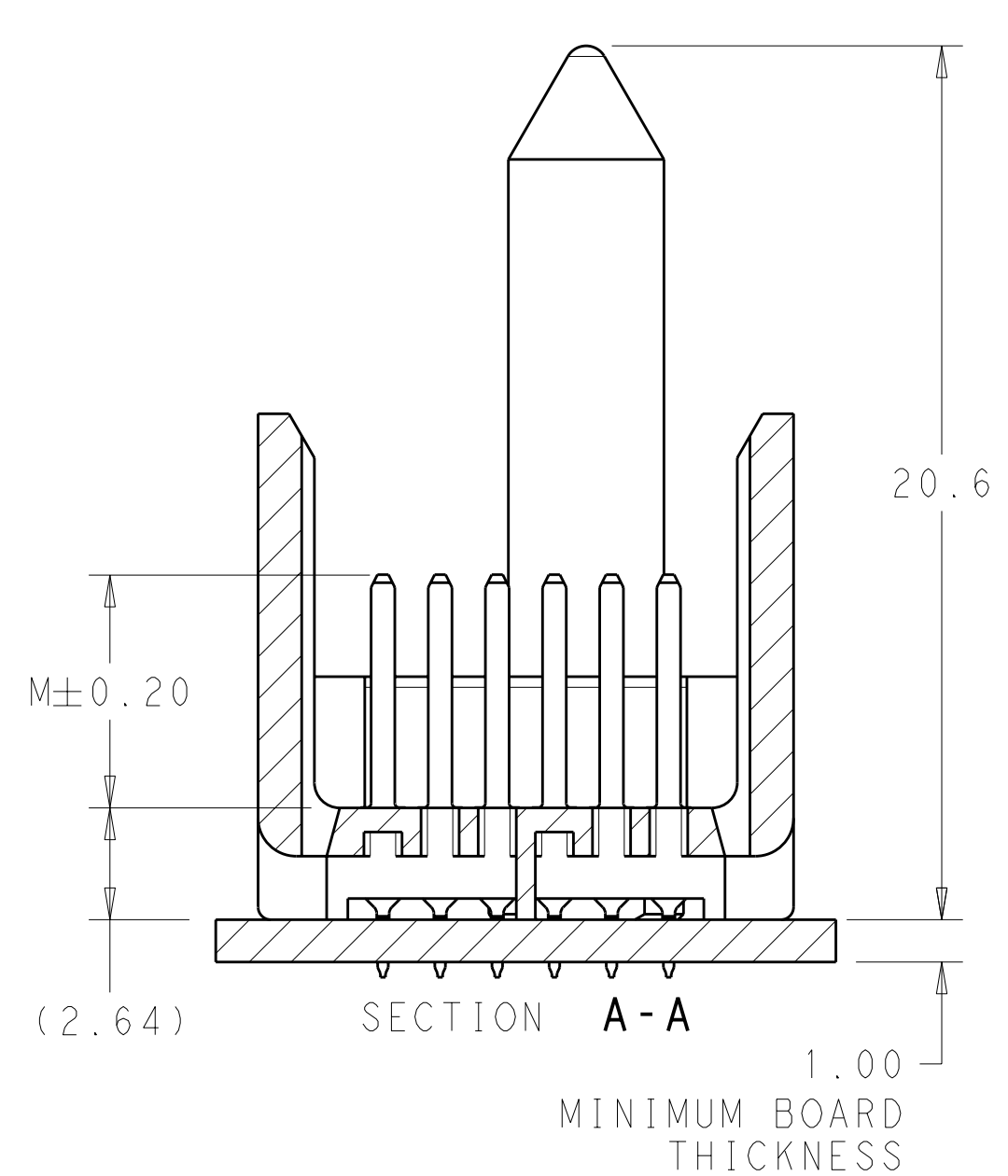
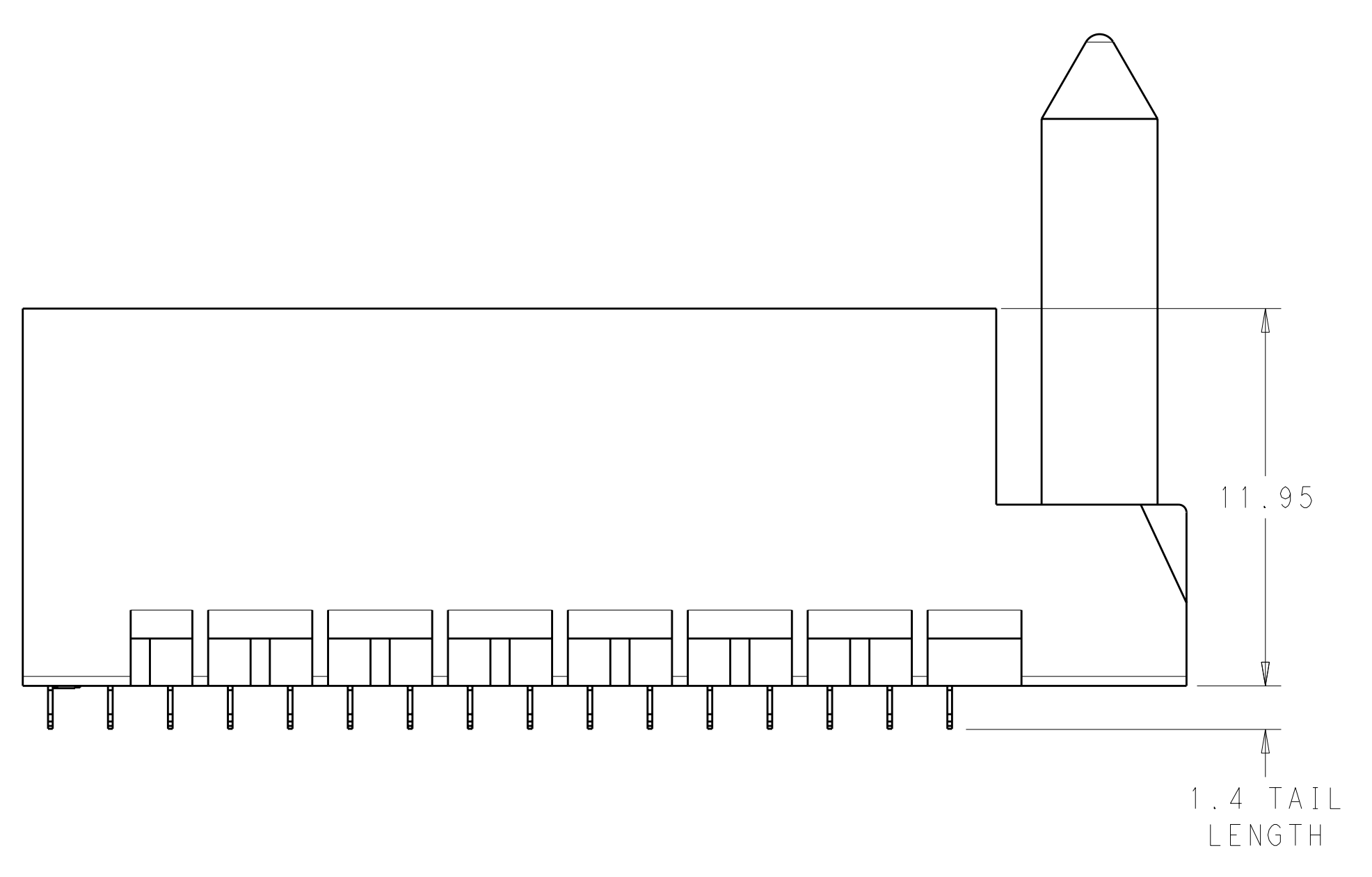
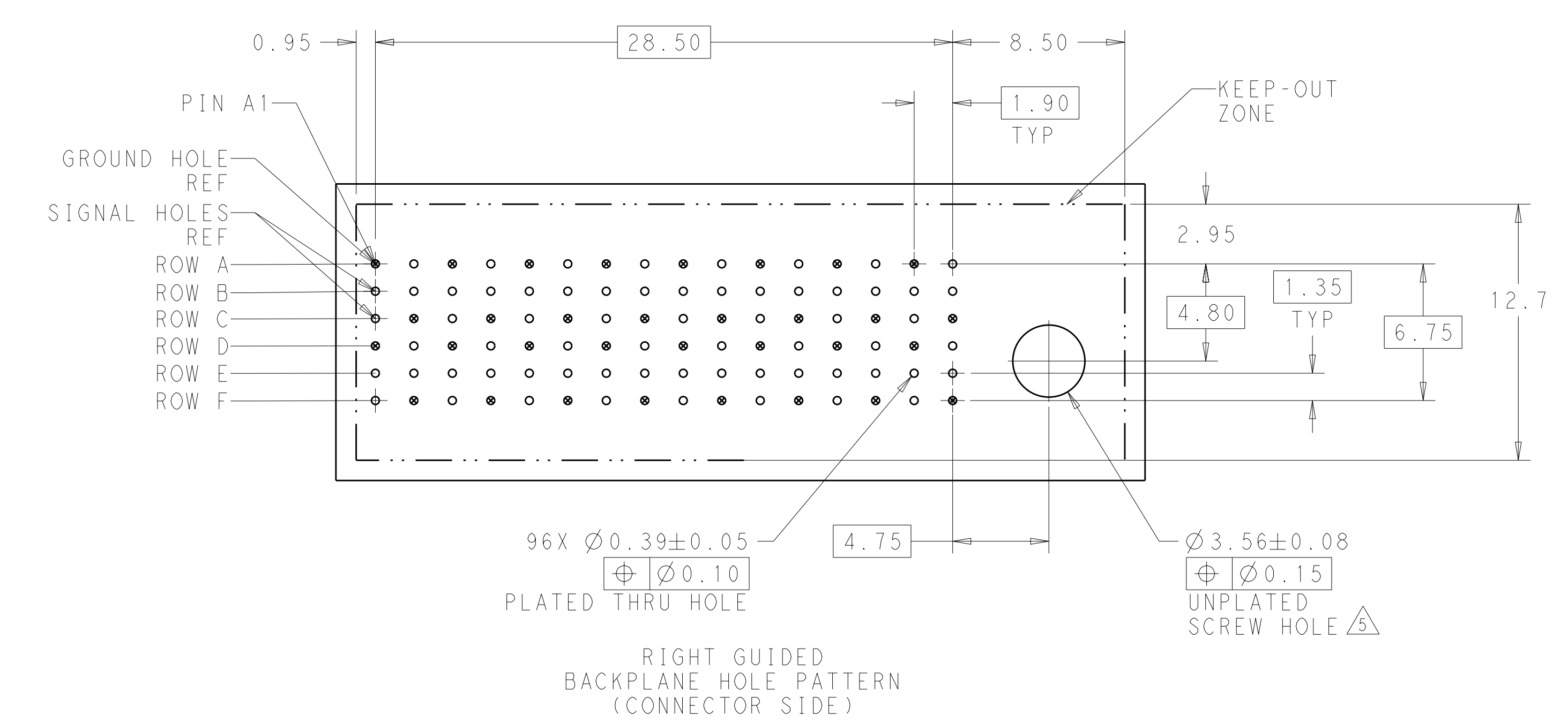
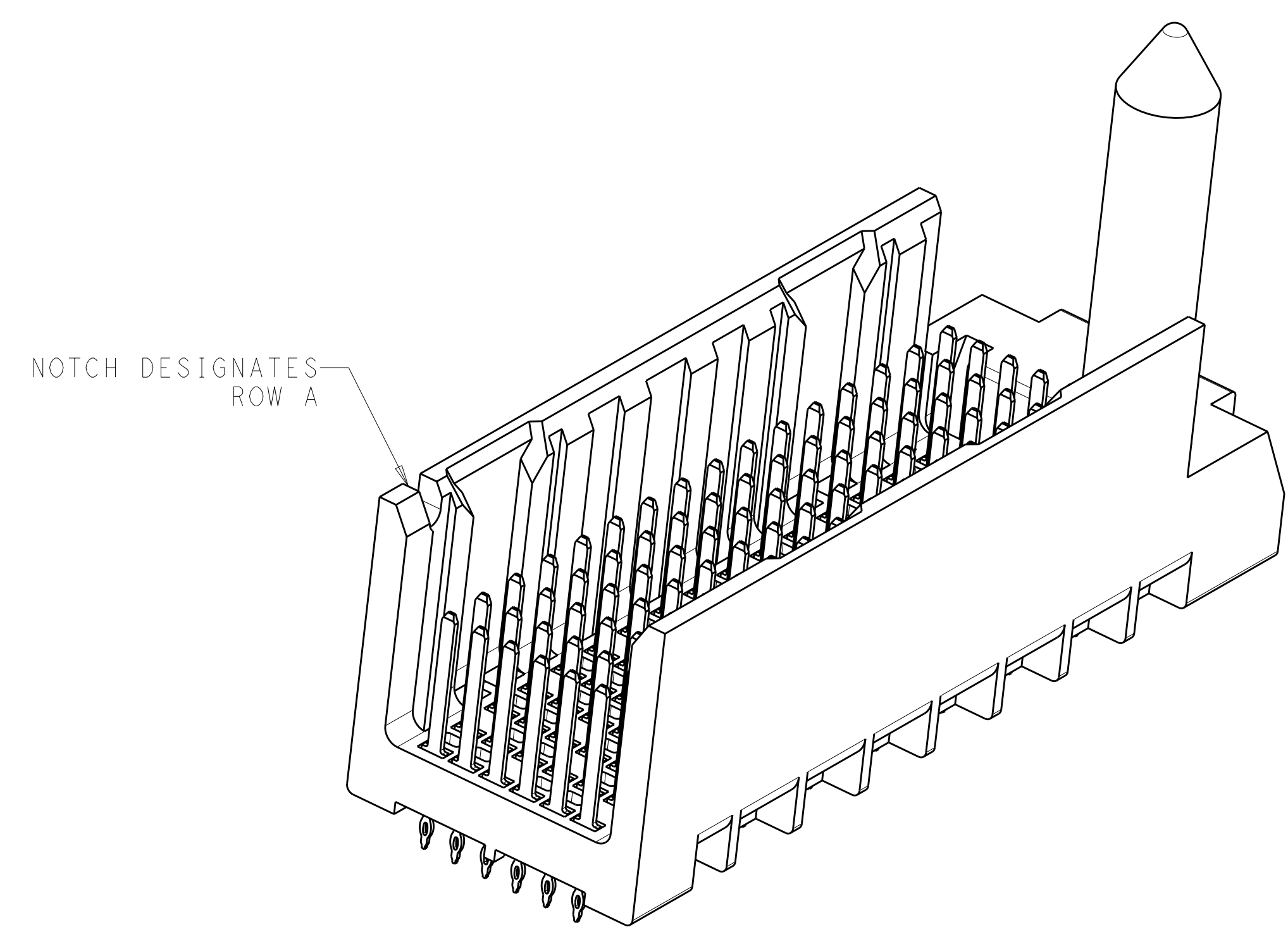


LOC	DIST	REV	DATE	BY	APPD
AD	00	B	05JAN2012	KH	DY
		REVISIONS			
		DESCRIPTION	DATE	DWN	APPD
		B	REVISD PER ECO-11-025276		



- 1 MATERIAL:
HOUSING: LCP, GLASS FILLED, UL94V-0.
TERMINALS: HIGH PERFORMANCE COPPER ALLOY.
- 2 FINISH:
30µ" MIN GOLD IN CONTACT AREA. SELECTIVE TIN ON PCB TAILS, NICKEL OVERALL.
- 3 FINISH:
30µ" MIN GOLD IN CONTACT AREA. SELECTIVE TIN-LEAD ON PCB TAILS, NICKEL OVERALL.
- 4. SCREWS PACKAGED IN END OF PACKAGING TUBE.
- 5 FOR GROUNDED GUIDE PIN USE Ø3.56±0.08 PTH, Ø3.66 DRILL, AND Ø6.5 PAD.




THIS DRAWING IS A CONTROLLED DOCUMENT.		DWN J. K. SHOBER 31JAN2011	TE Connectivity
DIMENSIONS: mm		CHK J. EBY 31JAN2011	
TOLERANCES UNLESS OTHERWISE SPECIFIED:		APVD J. EBY 31JAN2011	NAME IMPACT, 2 PAIR, 16 COLUMN, HEADER
Ø	9 PLC ±0.25	PRODUCT SPEC	RIGHT GUIDED, OPEN END WALL
∠	5 PLC ±0.13	APPLICATION SPEC	SIGNAL MODULE, 0.39 PTH
∠	4 PLC ±	WEIGHT	SIZE CAGE CODE DRAWING NO. RESTRICTED TO
FINISH	SEE TABLE	CUSTOMER DRAWING	A100779C=2057741
SCALE 6:1		SHEET 1 OF 2	REV B

THIS DRAWING IS UNPUBLISHED. RELEASED FOR PUBLICATION 20
 © COPYRIGHT 20 . . . ALL RIGHTS RESERVED.

LOC	DIST	REVISIONS					
AD	00	P	LTG	DESCRIPTION	DATE	DWN	APVD
		-	-	SEE SHEET 1	-	-	-

\triangle_3	5.5	2057741-6
\triangle_3	4.9	2057741-5
\triangle_3	4.5	2057741-4
\triangle_2	5.5	2057741-3
\triangle_2	4.9	2057741-2
\triangle_2	4.5	2057741-1
FINISH	DIM M	PART NUMBER

REFER TO WWW.TE.COM
FOR PRODUCT AVAILABILITY

THIS DRAWING IS A CONTROLLED DOCUMENT.		DWN J. K. SHOBER 31 JAN 2011	 TE Connectivity
DIMENSIONS: mm		CHK J. EARY 31 JAN 2011	
TOLERANCES UNLESS OTHERWISE SPECIFIED:		APVD J. EARY 31 JAN 2011	NAME
9 PLC ±		PRODUCT SPEC	IMPACT, 2 PAIR, 16 COLUMN, HEADER
1 PLC ±0.25		APPLICATION SPEC	RIGHT GUIDED, OPEN END WALL
2 PLC ±0.13		WEIGHT	SIGNAL MODULE, 0.39 PTH
3 PLC ±		RESTRICTED TO	
4 PLC ±		SCALE	5:1
ANGLES ±		SHEET	2 OF 2
FINISH ±		REV	B
SEE TABLE		CUSTOMER DRAWING	

单击下面可查看定价，库存，交付和生命周期等信息

[>>TE Connectivity\(泰科\)](#)